

## Excellent Integrated System Limited

Stocking Distributor

Click to view price, real time Inventory, Delivery & Lifecycle Information:

[Honeywell Sensing and Productivity Solutions  
V3L-3005](#)

For any questions, you can email us directly:

[sales@integrated-circuit.com](mailto:sales@integrated-circuit.com)

# MICRO SWITCH

FREERPORT ILLINOIS, U.S.A  
 A DIVISION OF HONEYWELL  
 FED. MFG. CODE 91929

## SWITCH — BASIC

CATALOG LISTING

V3L-3005

CQ-X1563

S

V3L-3005

M

DRAWING NUMBER

X 6

X 3

ISSUE

X 3

REPLACES X72667-VEL

RELEASE NO. PR-20453

CHECK

REVISIONS

A	CO55729
4	KEW SEP 84
B	CO 89987
1	SMA OCT 85
C	OBS CO73412
17	CSL NOV 92
D	RE-INS PR20453
15	DAW DEC 92
E	99 7569
19	KDR JUL 93

CHECK

CHECK

CHECK

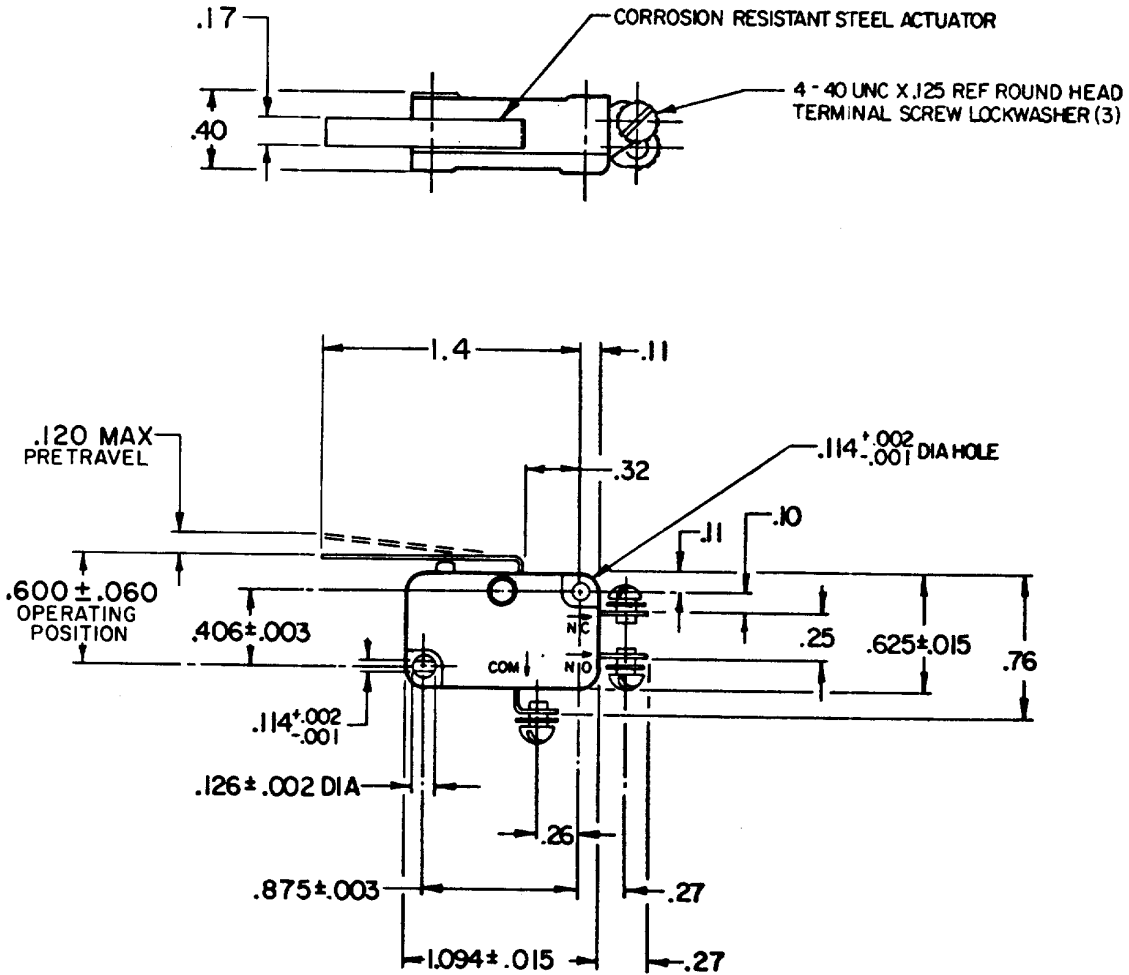
CHECK

CHECK

CHECK

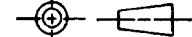
CHECK

CHECK



THIS DRAWING COVERS A PROPRIETARY ITEM AND IS THE PROPERTY OF MICRO SWITCH, A DIVISION OF HONEYWELL. THIS DRAWING IS NOT TO BE COPIED OR USED WITHOUT THE APPROVAL OF MICRO SWITCH.

THIRD ANGLE PROJECTION



CHARACTERISTICS	ELECTRICAL DATA	SCALE FULL								
OPERATING FORCE --- 88 GRAM MAX	CONTACT ARRANGEMENT S P D T	DO NOT SCALE PRINT								
RELEASE FORCE ----- 6 GRAM MIN	<p>L83            15.1A 1/2HP 125 OR 250 VAC            1/2A 125 VDC, 1/4A 250 VDC            5A 125 VAC "L"</p>	<p>TOLERANCES            APPLY TO DESIGN UNITS. CONVERSIONS ARE ONLY FOR REFERENCE. UNLESS NOTED, TOLERANCES ARE ±</p> <table border="1"> <tr> <td>ONE PLACE (.0)</td> <td>±.030</td> </tr> <tr> <td>TWO PLACE (.00)</td> <td>±.015</td> </tr> <tr> <td>THREE PLACE (.000)</td> <td>±.005</td> </tr> <tr> <td>ANGLES</td> <td></td> </tr> </table>	ONE PLACE (.0)	±.030	TWO PLACE (.00)	±.015	THREE PLACE (.000)	±.005	ANGLES	
ONE PLACE (.0)		±.030								
TWO PLACE (.00)		±.015								
THREE PLACE (.000)		±.005								
ANGLES										
DIFFERENTIAL TRAVEL --- .032 MAX	<p>DESIGN UNITS <input type="checkbox"/> SI METRIC <input type="checkbox"/> US CUSTOMARY <input checked="" type="checkbox"/></p>									
OVERTRAVEL ----- .090 MIN	WEIGHT									
RELEASE TRAVEL ----- .017 MIN										

FO-52848-A

DRAWN

GRT 7 MAY 81 CHECK

CHECK

CHECK

CHECK

CHECK

CHECK

CHECK

CHECK

CHECK