

Excellent Integrated System Limited

Stocking Distributor

Click to view price, real time Inventory, Delivery & Lifecycle Information:

[Honeywell Sensing and Productivity Solutions](#)
[YA-2CB16-A2](#)

For any questions, you can email us directly:

sales@integrated-circuit.com

MICRO SWITCH

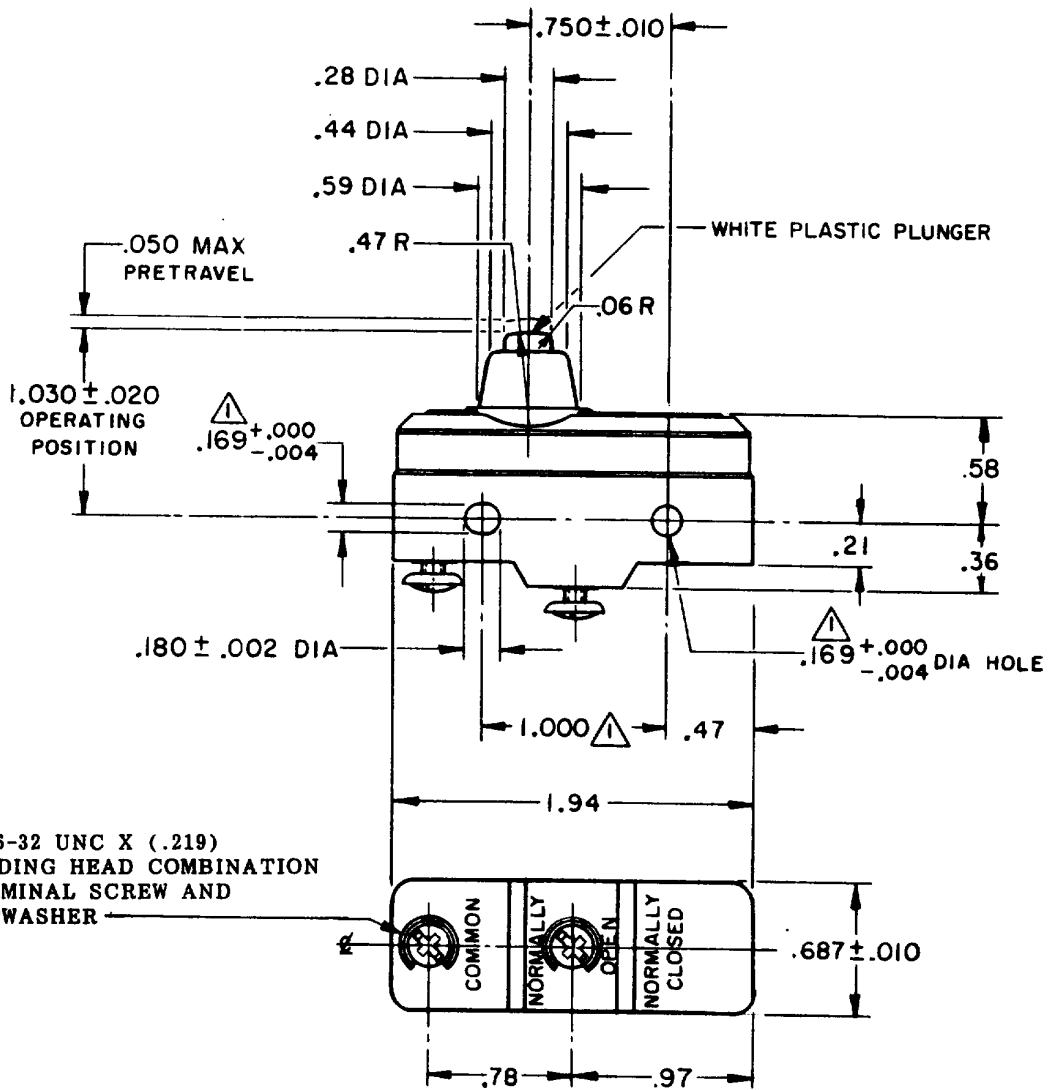
FREEDPORT ILLINOIS, U.S.A
 A DIVISION OF HONEYWELL
 FED. MFG. CODE 91929

SWITCH-BASIC

CATALOG LISTING

YA-2CB16-A2

YA-2CB16-A2
 M
 DRAWING NUMBER
 X 2
 ISSUE
 3
 REVISIONS
 A 0032630
 26 NOV 73
 B CO-73287-J
 22 NOV 93
 CHECK
 25 JUNE 73
 DRAWN
 21 JUNE 73
 FO-52848
 DRAWN



2X 6-32 UNC X (.219)
 BINDING HEAD COMBINATION
 TERMINAL SCREW AND
 CUPWASHER

NOTE -
 ▲ MOUNTING HOLES WILL ACCEPT PINS OR SCREWS
 OF .165 MAX DIA ON 1.000 ± .002 CENTERS

THIS DRAWING COVERS A PROPRIETARY ITEM AND IS THE PROPERTY OF MICRO SWITCH, A DIVISION OF HONEYWELL. THIS DRAWING IS NOT TO BE COPIED OR USED WITHOUT THE APPROVAL OF MICRO SWITCH.

CHARACTERISTICS	ELECTRICAL DATA	SCALE FULL
OPERATING FORCE ----- 14-22 OZ	CONTACT ARRANGEMENT S P N O	DO NOT SCALE PRINT
RELEASE FORCE ----- 10 OZ MIN	UNDERWRITERS' LAB. INC. LISTED RATING 15A-125, 250 OR 480 VAC; 10A-125 VAC "L" -L15- 3/4HP-125 VAC; 1 1/2HP-250 VAC 1/2A-125 VDC; 1/4A-250 VDC 	UNLESS OTHERWISE NOTED DIMENSIONS ARE IN INCHES TOLERANCES ARE
DIFFERENTIAL TRAVEL --- .0020-.0075		ONE PLACE (.0) ± .030
OVERTRAVEL ----- .094 MIN		TWO PLACE (.00) ± .015
		THREE PLACE (.000) ± .005
		ANGLES ±
		WEIGHT