

## Excellent Integrated System Limited

Stocking Distributor

Click to view price, real time Inventory, Delivery & Lifecycle Information:

[Honeywell Sensing and Productivity Solutions](#)  
[YZ-2R-A2](#)

For any questions, you can email us directly:

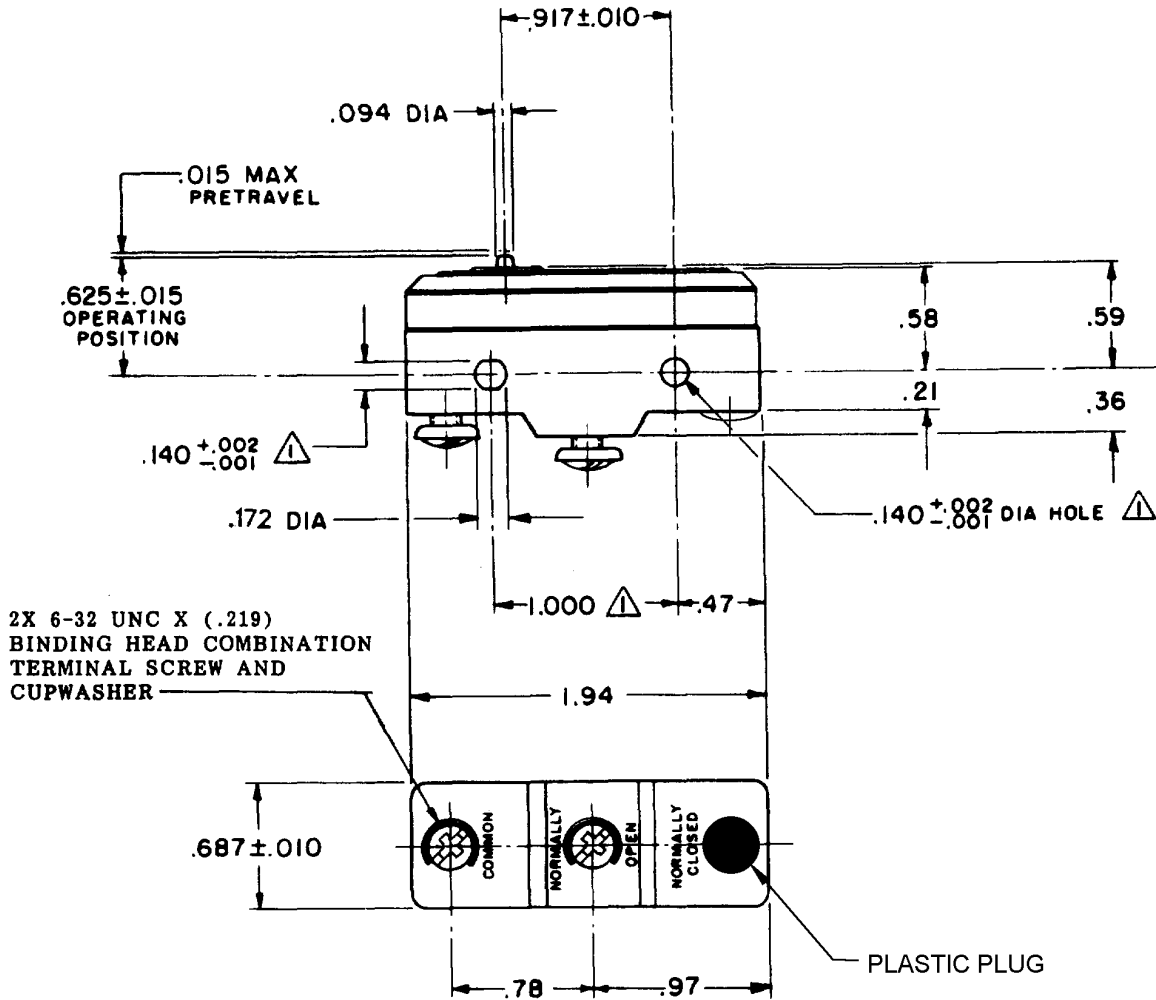
[sales@integrated-circuit.com](mailto:sales@integrated-circuit.com)

**MICRO SWITCH**  
 FREEPORT, ILLINOIS, U.S.A.  
 A DIVISION OF HONEYWELL  
 FED. MFG. CODE 91929

**SWITCH - BASIC**

CATALOG LISTING  
**YZ-2R-A2**

REPLACES  
**YZ-2R-A2**  
 PAGE 1 OF 1  
 DRAWING NUMBER  
**M**  
 ISSUE **7**  
 REVISIONS  
 A CO17410  
 G C H  
 12 APRIL 63  
 B CO-73287-J  
 J A L  
 22 NOV 93  
 C CO-77588  
 K D R  
 29 MAR 94  
 D CO93346  
 D L T  
 22 SEP 98  
 E 0000624  
 J A H  
 23 JUN 03  
 CHECK  
 L S D  
 23 APR 63  
 CHECK  
 G C H  
 12 APRIL 63  
 DRAWN  
 RASTER



**NOTE**  
 ▲ MOUNTING HOLES WILL ACCEPT PINS OR SCREWS OF .139 MAX DIA ON 1.000 ± .002 CENTERS

THIS DRAWING COVERS A PROPRIETARY ITEM AND IS THE PROPERTY OF MICRO SWITCH, A DIVISION OF MINNEAPOLIS-HONEYWELL REGULATOR CO. THIS DRAWING IS NOT TO BE COPIED OR USED WITHOUT THE APPROVAL OF MICRO SWITCH.

| CHARACTERISTICS                       | ELECTRICAL DATA                         | SCALE FULL               |
|---------------------------------------|---|--------------------------|
| OPERATING FORCE ----- 9-13 OZ         | CONTACT ARRANGEMENT<br>S P N O          | DO NOT SCALE PRINT       |
| RELEASE FORCE ----- 4 OZ MIN          | UNDERWRITERS' LAB. INC. LISTED RATINGS* | UNLESS OTHERWISE NOTED   |
| DIFFERENTIAL TRAVEL ----- .0004-.0020 | -L96- 15 A-125, 250, OR 400 VAC         | DIMENSIONS ARE IN INCHES |
| OVERTRAVEL ----- .005 MIN             | 1/2 A-125 VDC; 1/4 A-200 VDC            | <b>TOLERANCES ARE:</b>   |
|                                       | 1/8 HP-125 VAC, 1/4 HP-250 VAC          | ONE PLACE (.0) ±.030     |
|                                       | -L288-                                  | TWO PLACE (.00) ±.015    |
|                                       | -L299- 16A 250V ~ T85 5E4               | THREE PLACE (.000) ±.005 |
|                                       | -L306-                                  | ANGLES ±                 |
|                                       |   | WEIGHT .063 LB           |