

Excellent Integrated System Limited

Stocking Distributor

Click to view price, real time Inventory, Delivery & Lifecycle Information:

[Honeywell Sensing and Productivity Solutions](#)
[YZ-2RQ1T](#)

For any questions, you can email us directly:

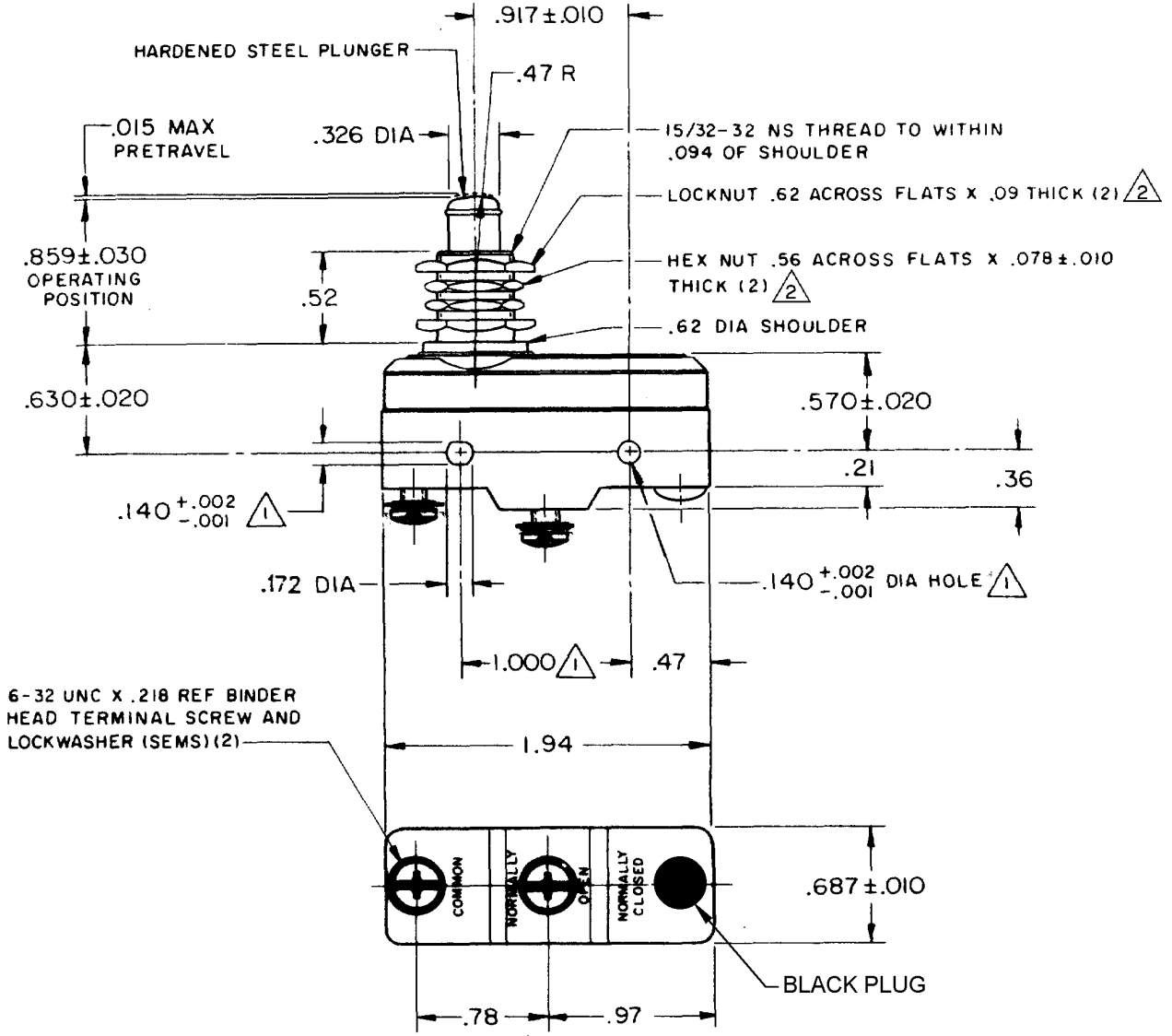
sales@integrated-circuit.com

MICRO SWITCH
 FREEPORT, ILLINOIS, U.S.A.
 A DIVISION OF HONEYWELL
 FED. MFG. CODE 91929

SWITCH - BASIC

CATALOG LISTING
YZ-2RQ1T

REPLACES
YZ-2RQ1T
 PAGE 1 OF 1
 DRAWING NUMBER
 ISSUE 18
 RELEASE NO.
 CHECK
 REVISIONS
 A CO17410
 GCH 20 MAY 63
 B CO-59351-D
 JWB 18 JUL 91
 C CO-77588
 KDR 29 MAR 94
 D CO-82133
 CSL 31 JUL 96
 E CO93346
 DLT 22 SEP 98
 F 0000713
 JAH 30 JUN 03
 CHECK L.S.D 15 JUN 03
 DRAWN GCH 20 MAY 63
 RASTER



NOTES
 ① MOUNTING HOLES WILL ACCEPT PINS OR SCREWS OF .139 MAX DIA ON 1.000 ± .002 CENTERS
 ② HARDWARE FURNISHED UNASSEMBLED

THIS DRAWING COVERS A PROPRIETARY ITEM AND IS THE PROPERTY OF MICRO SWITCH, A DIVISION OF MINNEAPOLIS-HONEYWELL REGULATOR CO. THIS DRAWING IS NOT TO BE COPIED OR USED WITHOUT THE APPROVAL OF MICRO SWITCH.

CHARACTERISTICS	ELECTRICAL DATA	SCALE FULL
OPERATING FORCE ----- 9 - 13 OZ	CONTACT ARRANGEMENT S P N O	DO NOT SCALE PRINT
RELEASE FORCE ----- 4 OZ MIN	UNDERWRITERS' LAB. INC. LISTED RATINGS -L96- 15 A - 125, 250, OR 480 VAC 1/2 A - 125 VDC, 1/4 A - 250 VDC 1/8 HP - 125 VAC, 1/4 HP - 250 VAC	UNLESS OTHERWISE NOTED DIMENSIONS ARE IN INCHES TOLERANCES ARE:
DIFFERENTIAL TRAVEL ----- .0004 - .0020	-L288- -L299- -L306-	ONE PLACE (.0) ± .030 TWO PLACE (.00) ± .015 THREE PLACE (.000) ± .005 ANGLES ±
OVERTRAVEL ----- .219 MIN	CE Ⓣ Ⓢ 16A 250V ~ T85 5E4	WEIGHT .093 LB