

Excellent Integrated System Limited

Stocking Distributor

Click to view price, real time Inventory, Delivery & Lifecycle Information:

[Honeywell Sensing and Productivity Solutions](#)
[YZ-2RW863-A2](#)

For any questions, you can email us directly:

sales@integrated-circuit.com

MICRO SWITCH
 FREEPORT ILLINOIS
 A DIVISION OF HONEYWELL
 FED. MFG. CODE 91929

SWITCH-BASIC

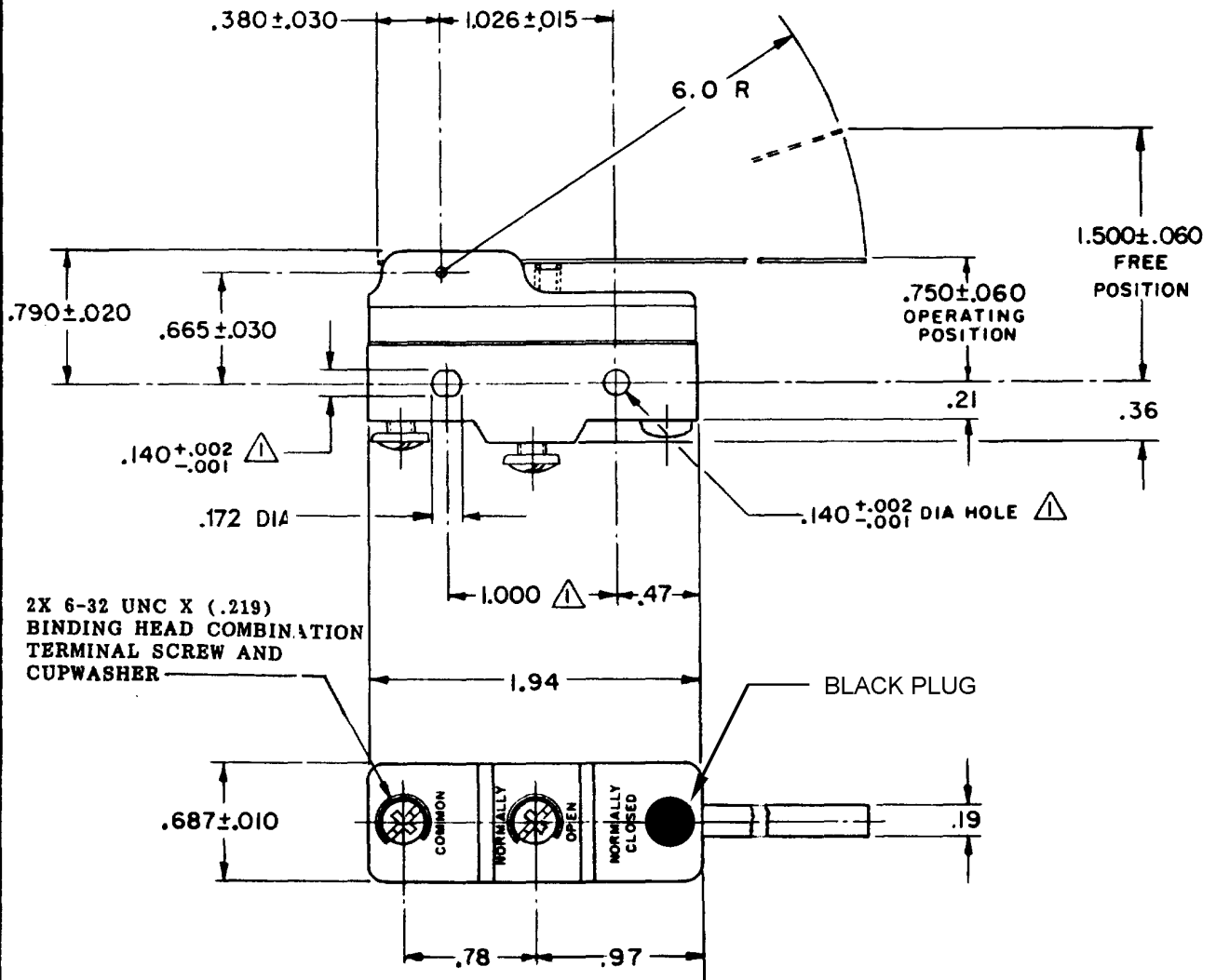
CATALOG LISTING
YZ-2RW863-A2

CATALOG LISTING
YZ-2RW863-A2
 PAGE 1 OF 1

M
 DRAWING NUMBER
 ISSUE

REVISIONS

A	2018793	MBF	6 SEP 62
B	021129	OMW	3 MAY 64
C	008823	KAC	8 AUG 67
D	173287-J	JAL	23 NOV 63
E	775588	KOR	29 MAR 94
F	C093346	DLT	22 SEP 98
G	0000770	CSL	8 JUL 03



NOTE
 MOUNTING HOLES WILL ACCEPT PINS OR SCREWS OF .139 MAX DIA ON 1.000±.002 CENTERS

THIS DRAWING COVERS A PROPRIETARY ITEM AND IS THE PROPERTY OF MICRO SWITCH, A DIVISION OF MINNEAPOLIS-HONEYWELL REGULATOR CO. THIS DRAWING IS NOT TO BE COPIED OR USED WITHOUT THE APPROVAL OF MICRO SWITCH.

CHARACTERISTICS	ELECTRICAL DATA	SCALE FULL
OPERATING FORCE — — — 1 OZ MAX	CONTACT ARRANGEMENT S P N O	DO NOT SCALE PRINT
DIFFERENTIAL TRAVEL — — — .018 — .145	L96 15A 125, 250 OR 480 VAC 1/2A 125 VDC, 1/4A 250 VDC 1/8HP 125 VAC, 1/4HP 250 VAC	UNLESS OTHERWISE SPECIFIED DIMENSIONS ARE IN INCHES TOLERANCES ARE:
OVERTRAVEL — — — .500 MIN	L288 L299 L306 CE D S 16A 250V ~ T85 5E4	ONE PLACE (.0) ±.030 TWO PLACE (.00) ±.018 THREE PLACE (.000) ±.005 ANGLES ±
		WEIGHT .073 LB

FO-80378
 DRAWN
 RASTER
 M B F
 6 SEP 62
 CHECK
 L S D
 20 SEP 62