

## Excellent Integrated System Limited

Stocking Distributor

Click to view price, real time Inventory, Delivery & Lifecycle Information:

[Molex Connector Corporation](#)  
[0731310240](#)

For any questions, you can email us directly:

[sales@integrated-circuit.com](mailto:sales@integrated-circuit.com)

MATERIALS AND FINISHES:

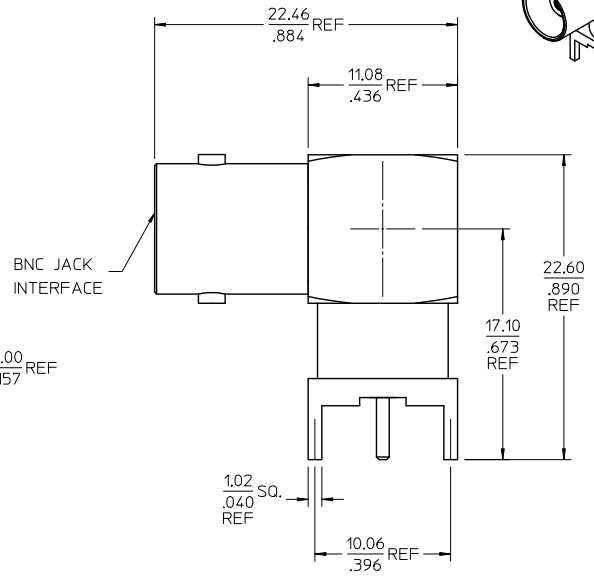
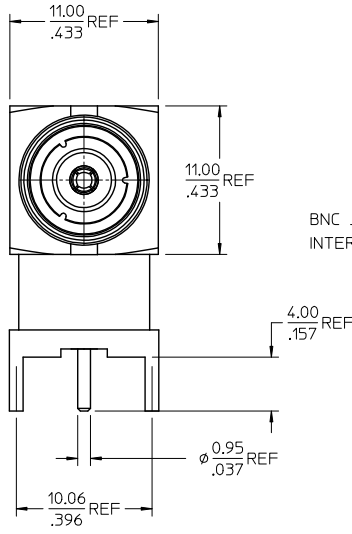
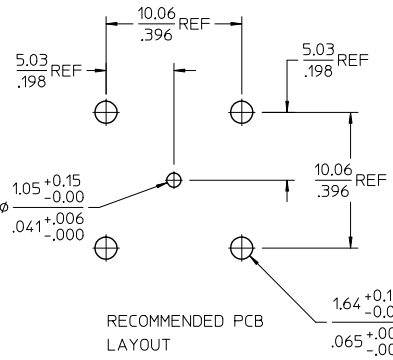
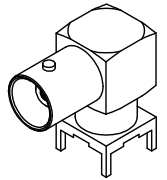
BODY, RETAINING RING BRASS  
PLATED NICKEL

CENTER CONTACT BRASS OR PHOSPHOR BRONZE  
PLATED GOLD

INSULATOR TEFLON

HOUSING BRASS  
FINISH TIN/LEAD

PACKAGING: BY TRAY



PART # 73131-0240

PS-73598-0050	ELECTRO/MECH PERF
MIL-STD-348A, FIG. 201.2	INTERFACE
SPECIFICATION	DESCRIPTION

CUG ADDED PKG PCR RP15-2286 EC NO: UNF2016-0101 DRAWN: MEI02 2015/08/14 CHKD: APPR: YCHENG 2015/08/19 A2 REV	QUALITY SYMBOLS	GENERAL TOLERANCES (UNLESS SPECIFIED)	DIMENSION STYLE	SCALE	DESIGN UNITS	THIRD ANGLE PROJECTION	
	▽=0 ▽=0 ▽=0	mm INCH 4 PLACES ± --- ± --- 3 PLACES ± --- ± --- 2 PLACES ± --- ± --- 1 PLACE ± --- ± --- 0 PLACE ± --- ± ---	MM/IN	DRAWN BY: LYNN L IN DATE: 2000 CHECKED BY: _____ DATE: _____ APPROVED BY: _____ DATE: _____	METRIC	BNC JACK, R/A, PCB 50 OHMS, BNC-J/RA/PCB	THIS DRAWING CONTAINS INFORMATION THAT IS PROPRIETARY TO MOLEX INCORPORATED AND SHOULD NOT BE USED WITHOUT WRITTEN PERMISSION
	ANGULAR ± 2°	DRAFT WHERE APPLICABLE MUST REMAIN WITHIN DIMENSIONS	MATERIAL NO.	DOCUMENT NO.	SHEET NO.		
			731310240	SD-73131-024	1 OF 1		