

## Excellent Integrated System Limited

Stocking Distributor

Click to view price, real time Inventory, Delivery & Lifecycle Information:

[Molex Connector Corporation](#)  
[0731740093](#)

For any questions, you can email us directly:

[sales@integrated-circuit.com](mailto:sales@integrated-circuit.com)

MATERIALS AND FINISHES

BODY, WASHER, RETAINING RING BRASS  
PLATED NICKEL

CENTER CONTACT BRASS  
PLATED GOLD

INSULATOR TEFLON

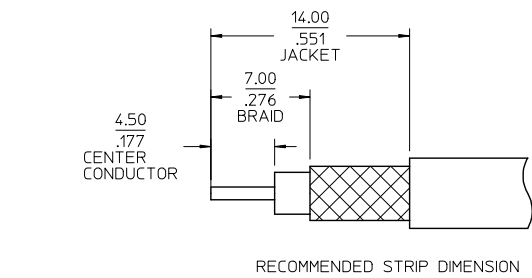
COUPLING NUT ZINC ALLOY  
PLATED NICKEL

SPRING WASHER PHOSPHOR BRONZE  
PLATED NICKEL

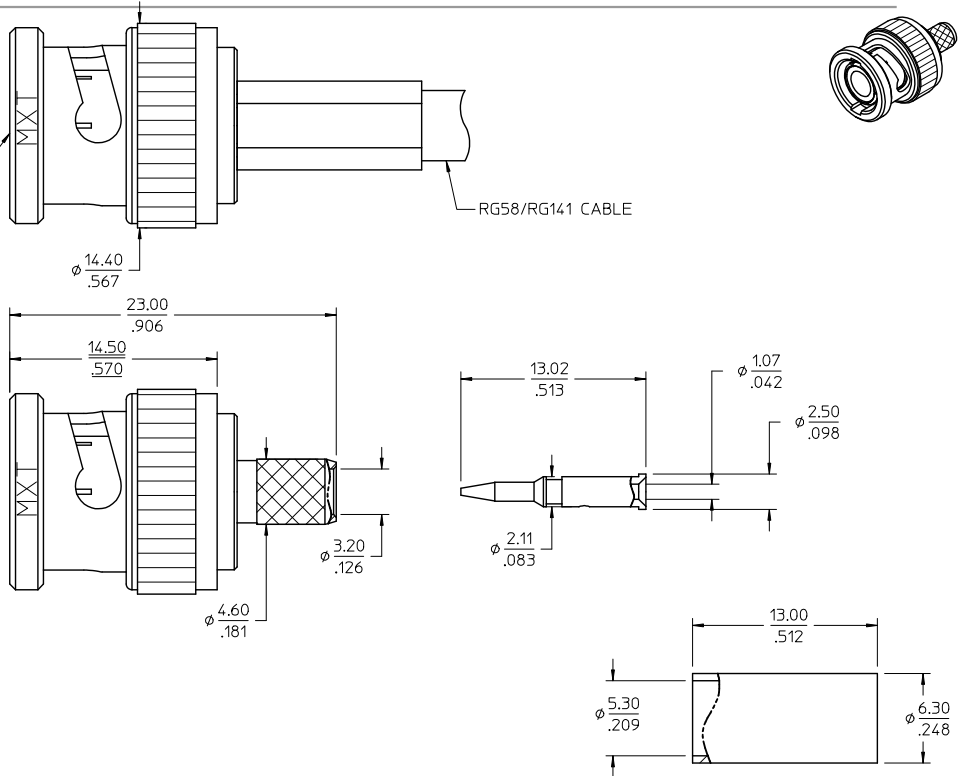
GASKET SILICONE RUBBER

CABLE ATTACHMENT:

INNER CONTACT: SOLDER OR CRIMP USING 4.29 (1.69) HEX  
CRIMP TUBE: CRIMP USING 5.41 (.213) HEX



INTERFACE PER  
MOLEX STANDARD  
ES-73599-0000



PS-89675-1030	PRODUCT SPECIFICATION
SPECIFICATION	DESCRIPTION

73171-3170	73174-0093, ONE PER BAG
73174-0093	INDIVIDUAL PLASTIC BAGS
PART NO.	PACKAGING

CHG: CONTACT REAR HOLE φ.042 WAS φ.039 DELETE REF FROM DIMENSIONS DELETE CABLE ASSEMBLY SPEC PS-89675-103 WAS PS-73598-0024 IEC NO: IURF2010-0237 DRAWN: JMT/NER 2009/10/22 CHKD: SSW/HH 2009/10/22 APPR: JMT/NER 2009/10/22 C2	QUALITY SYMBOLS	GENERAL TOLERANCES (UNLESS SPECIFIED) 4 PLACES ± --- ± --- 3 PLACES ± --- ± --- 2 PLACES ± --- ± --- 1 PLACE ± --- ± --- ANGULAR ± 2°	DIMENSION STYLE MM/IN DRAWN BY: KELLY CHECKED BY: DATE: 1992/06/20 APPROVED BY: DATE:	SCALE: METRIC DESIGN UNITS: METRIC THIRD ANGLE PROJECTION	TITLE: BNC PLUG, STR FOR RG58, RG141 CRIMP/CRIMP, 50 OHM BNC-PC MOLEX INCORPORATED MATERIAL NO. SEE TABLE DOCUMENT NO. SD-73174-0093 SHEET NO. 1 OF 1
	DRAFT WHERE APPLICABLE MUST REMAIN WITHIN DIMENSIONS THIS DRAWING CONTAINS INFORMATION THAT IS PROPRIETARY TO MOLEX INCORPORATED AND SHOULD NOT BE USED WITHOUT WRITTEN PERMISSION				