

## Excellent Integrated System Limited

Stocking Distributor

Click to view price, real time Inventory, Delivery & Lifecycle Information:

[Molex Connector Corporation](#)  
[0733860840](#)

For any questions, you can email us directly:

[sales@integrated-circuit.com](mailto:sales@integrated-circuit.com)

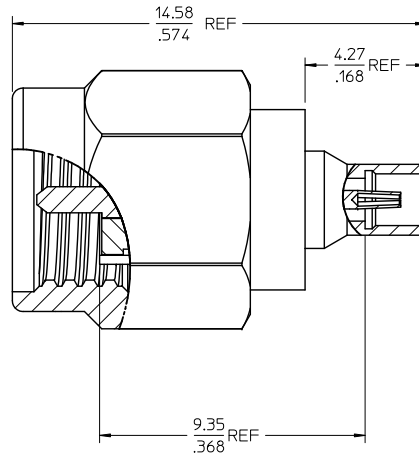
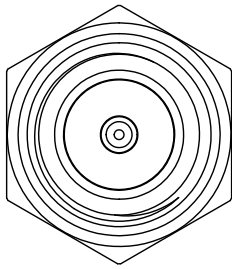
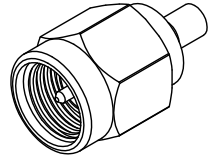
MATERIALS AND FINISHES

COUPLING NUT BRASS  
PLATED GOLD

BODY BRASS  
PLATED GOLD

CENTER CONTACT BeCu  
PLATED GOLD

INSULATOR TEFLON



73386-0841	73386-0840 ONE PIECE PER BAG
73386-0840	STANDARD
PART NO.	PACKAGING

ES-73599-0009-0011	INTERFACE SSMCX JACK
MIL-STD-348A, FIG. 310.1	INTERFACE SMA PLUG
SPECIFICATION	DESCRIPTION

CHG: MATERIAL NO. WAS 733860830 ADDED -0841 SINGLE BAG EC NO: URF2011-0651 DRAWN: JLEEDZ 2/11/05/04 CHKDSS: 2/11/05/04 APPR: JMENER 2/11/05/05 D2 REV	QUALITY SYMBOLS ▽=0 ▽=0	GENERAL TOLERANCES (UNLESS SPECIFIED) <table border="1"> <tr> <th></th> <th>mm</th> <th>INCH</th> </tr> <tr> <td>4 PLACES</td> <td>± .15</td> <td>± .005</td> </tr> <tr> <td>3 PLACES</td> <td>± .10</td> <td>± .004</td> </tr> <tr> <td>2 PLACES</td> <td>± 0.10</td> <td>± .004</td> </tr> <tr> <td>1 PLACE</td> <td>± 0.13</td> <td>± .005</td> </tr> </table> ANGULAR ± 2 °		mm	INCH	4 PLACES	± .15	± .005	3 PLACES	± .10	± .004	2 PLACES	± 0.10	± .004	1 PLACE	± 0.13	± .005	DIMENSION STYLE MM/IN DRAWN BY JOHN DATE 2004/12/12 CHECKED BY JOHNSON DATE 2004/12/12 APPROVED BY M1SEN DATE 2004/12/12	SCALE DESIGN UNITS METRIC THIRD ANGLE PROJECTION	TITLE SSMCX ADAPTER SSMCX JACK TO SMA PLUG BSA-SSMCX/SMA	MATERIAL NO. SEE TABLE	DOCUMENT NO. SD-73386-084	SHEET NO. 1 OF 1
		mm	INCH																				
	4 PLACES	± .15	± .005																				
	3 PLACES	± .10	± .004																				
2 PLACES	± 0.10	± .004																					
1 PLACE	± 0.13	± .005																					
DRAFT WHERE APPLICABLE MUST REMAIN WITHIN DIMENSIONS		THIS DRAWING CONTAINS INFORMATION THAT IS PROPRIETARY TO MOLEX INCORPORATED AND SHOULD NOT BE USED WITHOUT WRITTEN PERMISSION		MOLEX MOLEX INCORPORATED																			