

## **Excellent Integrated System Limited**

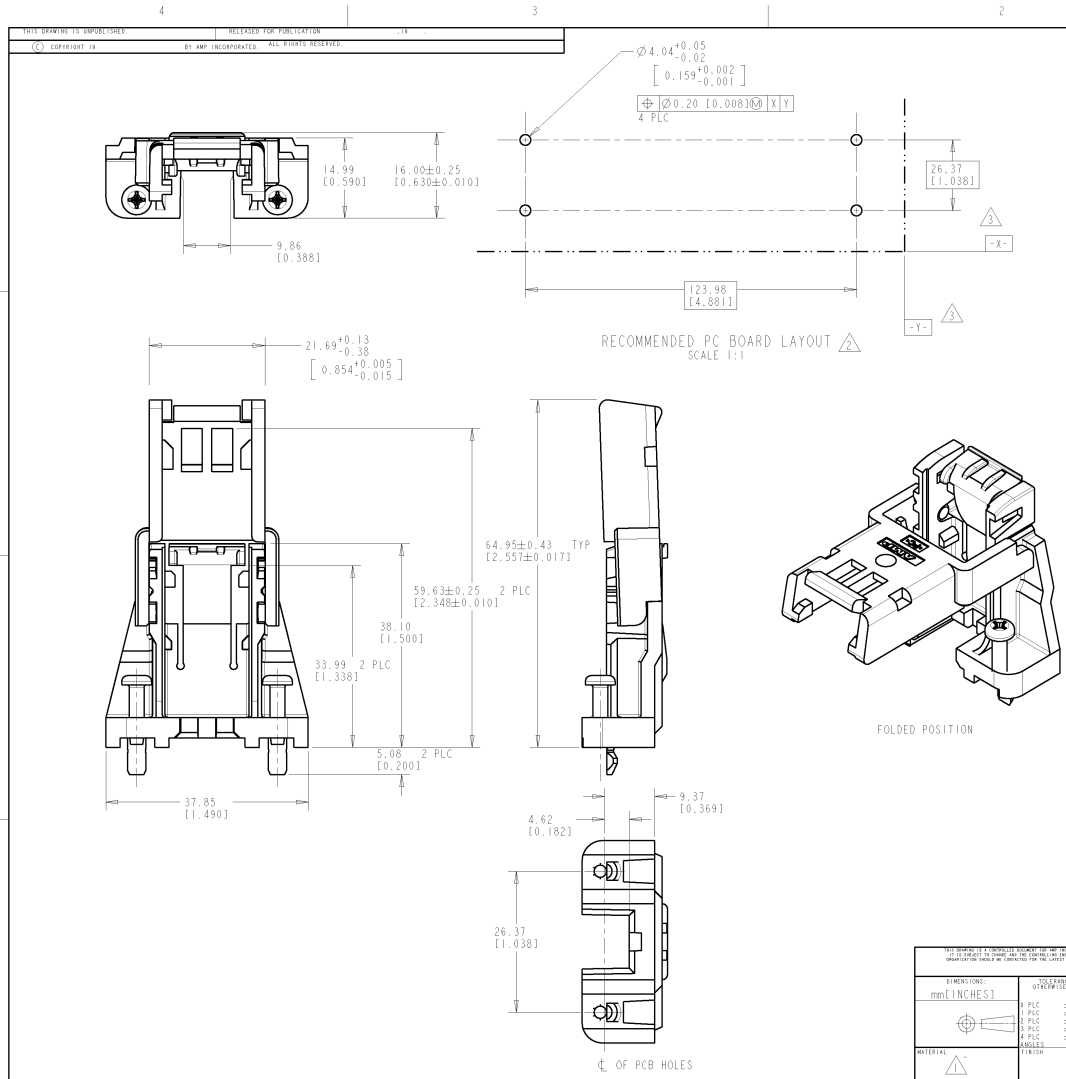
Stocking Distributor

Click to view price, real time Inventory, Delivery & Lifecycle Information:

[TE Connectivity AMP Connectors](#)  
[145418-2](#)

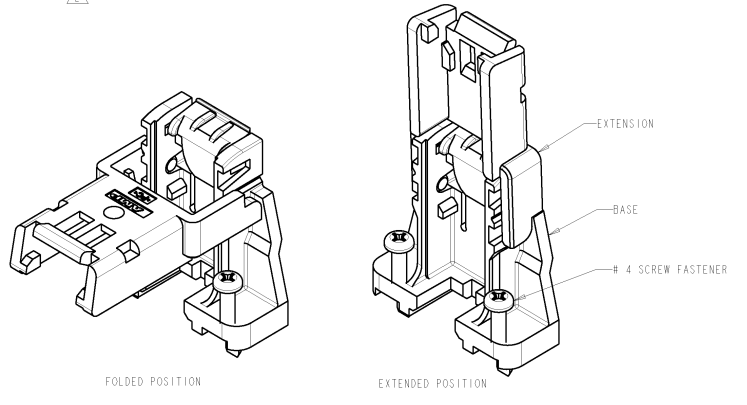
For any questions, you can email us directly:

[sales@integrated-circuit.com](mailto:sales@integrated-circuit.com)



REV	DATE	DESCRIPTION	BY	CHKD	APPD
0		RELEASED	15SEP98	RB	EL
A		REVISED PER 0651-0241-98	29OCT98	RB	EL

- ⚠ ALL MOLDED COMPONENTS - UL 94-V0 RATED POLYCARBONATE; BLACK.
- ⚠ RECOMMENDED PC BOARD THICKNESS OF 1.57±0.15 [0.062±0.006].
- ⚠ DATUM AND BASIC DIMENSIONS ESTABLISHED BY CUSTOMER.
- 4. BULK PACKAGED IN PARTITIONED BOXES IN THE EXTENDED POSITION.
- ⚠ EACH PROCESSOR INSTALLATION REQ'S TWO RETENTION MODULES.



2 MODULES WITH #4 SCREW FASTENERS	145418-2
1 MODULE WITH #4 SCREW FASTENERS	145418-1
DESCRIPTION	PART NUMBER

<small>THIS DRAWING IS A TECHNICAL PROPERTY OF THE DRAWING ORGANIZATION. IT IS TO BE KEPT IN CONFIDENTIALITY AND NOT TO BE REPRODUCED OR TRANSMITTED IN ANY FORM OR BY ANY MEANS, ELECTRONIC OR MECHANICAL, INCLUDING PHOTOCOPYING, RECORDING, OR BY ANY INFORMATION STORAGE AND RETRIEVAL SYSTEM.</small>		DWG: R. BROWN DATE: 15SEP98 BY: E. LOTTER DATE: 15SEP98 CHECKED: R. H. JASKI DATE: 15SEP98	<b>AMP</b> Incorporated Harrisburg, PA 17105-3600
DIMENSIONS: mm [INCHES] TOLERANCES UNLESS OTHERWISE SPECIFIED: 1. PLC ± 2. PLC ±0.131 (0.005) 3. PLC ± 4. PLC ± HOLES ± FINISH -	PRODUCT SPEC: 108-1826 APPLICATION SPEC: - WEIGHT: - MATERIAL: - FINISH: -	TITLE: UNIVERSAL RETENTION MODULE ASSEMBLY KIT, SCREW FASTENER SHORT LATCH PART NUMBER: 145418-1 SCALE: 2:1 SHEET: 1 of 1 REV: A	CUSTOMER DRAWING