

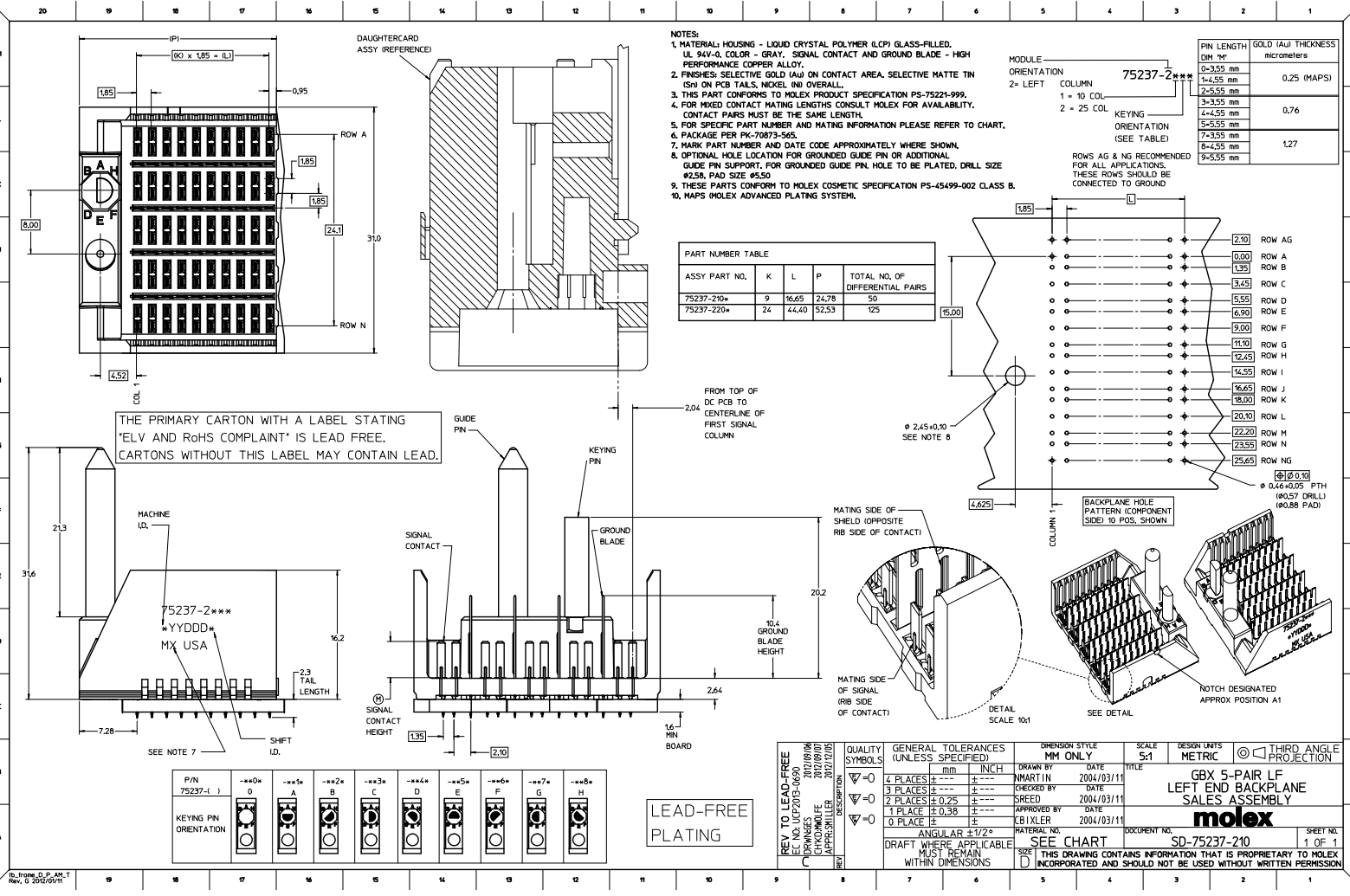
Excellent Integrated System Limited

Stocking Distributor

Click to view price, real time Inventory, Delivery & Lifecycle Information:

[Molex Connector Corporation](#)
[0752372223](#)

For any questions, you can email us directly:
sales@integrated-circuit.com

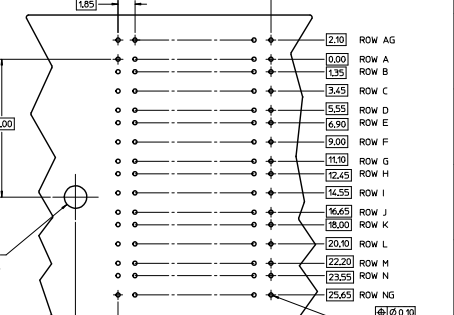


- NOTES:
- MATERIAL: HOUSING - LIQUID CRYSTAL POLYMER (LCP) GLASS-FILLED, UL 94V-0, COLOR - GRAY, SIGNAL CONTACT AND GROUND BLADE - HIGH PERFORMANCE COPPER ALLOY.
 - FINISHES: SELECTIVE GOLD (Au) ON CONTACT AREA, SELECTIVE MATTE TIN (Sn) ON PCB TAILS, NICKEL (Ni) OVERALL.
 - THIS PART CONFORMS TO MOLEX PRODUCT SPECIFICATION PS-75221-999.
 - FOR MIXED CONTACT MATING LENGTHS CONSULT MOLEX FOR AVAILABILITY. CONTACT PAIRS MUST BE THE SAME LENGTH.
 - FOR SPECIFIC PART NUMBER AND MATING INFORMATION PLEASE REFER TO CHART.
 - PACKAGE PER PIN-70873-565.
 - MARK PART NUMBER AND DATE CODE APPROXIMATELY WHERE SHOWN.
 - OPTIONAL HOLE LOCATION FOR GROUNDED GUIDE PIN OR ADDITIONAL GUIDE PIN SUPPORT. FOR GROUNDED GUIDE PIN, HOLE TO BE PLATED, DRILL SIZE #0.58, PAD SIZE #0.50.
 - THESE PARTS CONFORM TO MOLEX COSMETIC SPECIFICATION PS-45499-002 CLASS B.
 - MAPS (MOLEX ADVANCED PLATING SYSTEM).

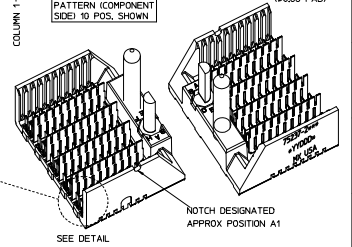
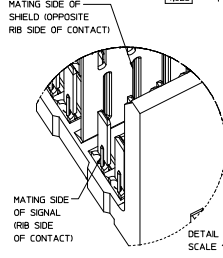
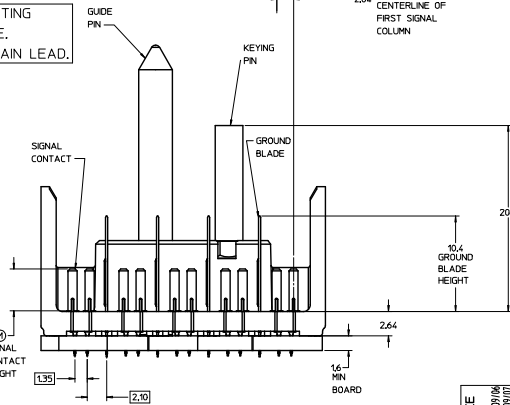
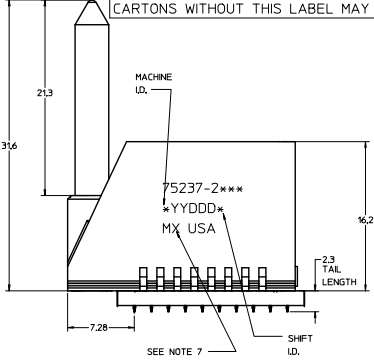
MODULE ORIENTATION	COLUMN	PIN LENGTH DIM "M"	GOLD (Au) THICKNESS micrometers
2= LEFT	1 = 10 COL	0-3.55 mm	0.25 (MAPS)
	2 = 25 COL	4-5.55 mm	
KEYING ORIENTATION (SEE TABLE)		3-3.55 mm	0.76
		4-4.55 mm	
		5-5.55 mm	
		7-3.55 mm	
		8-4.55 mm	1.27
		9-5.55 mm	

ROWS AG & NG RECOMMENDED FOR ALL APPLICATIONS. THESE ROWS SHOULD BE CONNECTED TO GROUND

ASSY PART NO.	K	L	P	TOTAL NO. OF DIFFERENTIAL PAIRS
75237-210*	9	16.65	24.78	50
75237-220*	24	44.40	52.53	125



THE PRIMARY CARTON WITH A LABEL STATING "ELV AND ROHS COMPLAINT" IS LEAD FREE. CARTONS WITHOUT THIS LABEL MAY CONTAIN LEAD.



P/N	**0*	**1*	**2*	**3*	**4*	**5*	**6*	**7*	**8*
75237-1	0	A	B	C	D	E	F	G	H

KEYING PIN ORIENTATION

LEAD-FREE PLATING

REV. TO LEAD-FREE ECN NO. LCP2013-0020 DOWNGRADES 2012/09/06 CHANGES 2012/09/07 APPROVALS 2012/07/05 APPROVED BY:	QUALITY SYMBOLS 4 PLACES ±---+--- 3 PLACES ±---+--- 2 PLACES ±0.25±--- 1 PLACE ±0.38±--- 0 PLACE ±---+---	GENERAL TOLERANCES (UNLESS SPECIFIED) mm INCH ±--- ±--- ±0.25 ±--- ±0.38 ±---	DIMENSION STYLE MM ONLY DRAWN BY: NMARTIN CHECKED BY: SREED APPROVED BY: CBIXLER DATE: 2004/03/11	SCALE: 5:1 DESIGN LIMITS: METRIC THIRD ANGLE PROJECTION	TITLE: GBX 5-PAIR LF LEFT END BACKPLANE SALES ASSEMBLY molex MATERIAL NO: SD-75237-210 DOCUMENT NO:	SHEET NO: 1 OF 1
	DRAFT WHERE APPLICABLE MUST REMAIN WITHIN DIMENSIONS					
	SEE CHART					
	THIS DRAWING CONTAINS INFORMATION THAT IS PROPRIETARY TO MOLEX INCORPORATED AND SHOULD NOT BE USED WITHOUT WRITTEN PERMISSION					