

Excellent Integrated System Limited

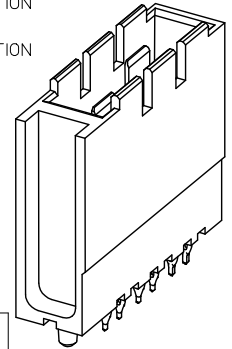
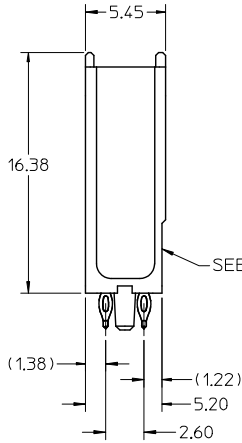
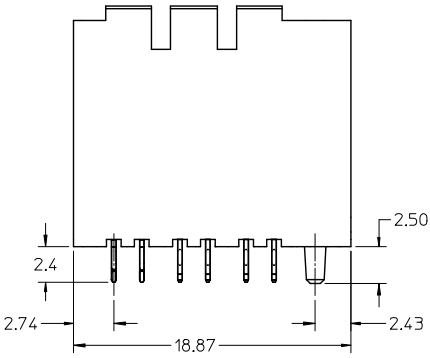
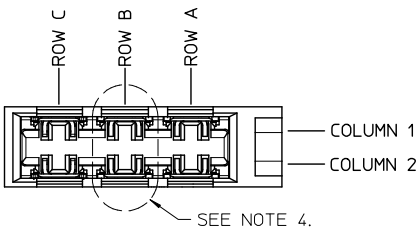
Stocking Distributor

Click to view price, real time Inventory, Delivery & Lifecycle Information:

[Molex Connector Corporation](#)
[0753310666](#)

For any questions, you can email us directly:
sales@integrated-circuit.com

10 9 8 7 6 5 4 3 2 1



NOTES:

1. MATERIALS: HOUSING - LIQUID CRYSTAL POLYMER (LCP), UL 94V-0, GRAY; CONTACT - COPPER ALLOY.
2. FINISH: SELECT GOLD IN CONTACT AREA, 50 MICROINCH THICK; MATTE TIN IN COMPLIANT AREA.
3. PACKAGING PER PK-70873-571.
4. CONTACTS IN EACH ROW HAVE THE SAME WIPE LENGTH.
5. BACKPLANE ASSEMBLY MATES WITH DAUGHTERCARD POWER MODULE 75292-3***.
6. PART SHOWN IS 75331-0467.
7. SEE OTHER SHEETS FOR ADDITIONAL NOTES.
8. WHEN INSERTING OPEN SIGNAL MODULES NEXT TO COLUMN 1 SIDE OF POWER MODULES, SIGNAL MODULES MUST BE INSERTED BEFORE THE POWERS TO AVOID INTERFERENCE BETWEEN THE TWO CONNECTOR HOUSINGS.
9. THESE PARTS CONFORM TO MOLEX PRODUCT SPECIFICATION PS-75221-999.
10. THESE PARTS CONFORM TO MOLEX COSMETIC SPECIFICATION PS-45499-002.

1-UP ASSEMBLY PART NUMBER

7 5 3 3 1 - 0 A B C

- MATT TIN (FORMERLY TIN/LEAD) PLATED PRODUCT -

FOR EACH ROW LOCATION A, B, C:

0 = VOID

4 = 4.5 mm WIPE

6 = 6.0 mm WIPE

7 = 7.5 mm WIPE

- MATTE TIN PLATED PRODUCT -

FOR EACH ROW LOCATION A, B, C:

0 = VOID

2 = 4.5 mm WIPE

3 = 6.0 mm WIPE

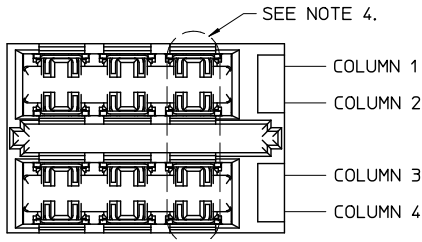
5 = 7.5 mm WIPE

THE PRIMARY CARTON WITH A LABEL STATING "ELV AND RoHS COMPLIANT" IS LEAD FREE. CARTONS WITHOUT THIS LABEL MAY CONTAIN LEAD.

LEAD FREE CONVERSION E.C. NO: IJCP2013-2305 2012/11/07 G. DRINSMITH/PPLE 2012/12/07 CHKORWOLFE 2012/12/07 APPR:SKILLER 2012/12/17	QUALITY SYMBOLS ▽=0 ▽=0 ▽=0	GENERAL TOLERANCES (UNLESS SPECIFIED) mm INCH 4 PLACES ± --- ± --- 3 PLACES ± --- ± --- 2 PLACES ± .13 ± --- 1 PLACE ± 0.25 ± --- 0 PLACE ± ±	DIMENSION STYLE MM ONLY DRAWN BY DATE ELO 2005/02/18 CHECKED BY DATE ELO 2005/02/22 APPROVED BY DATE CUNNINGHAM 2005/02/23	SCALE 4:1	DESIGN UNITS METRIC	THIRD ANGLE PROJECTION
	GBX 3 PAIR BACKPLANE POWER SALES ASSEMBLY					
	MATERIAL NO. SEE CHART				DOCUMENT NO. SD-75331-001	SHEET NO. 1 OF 4

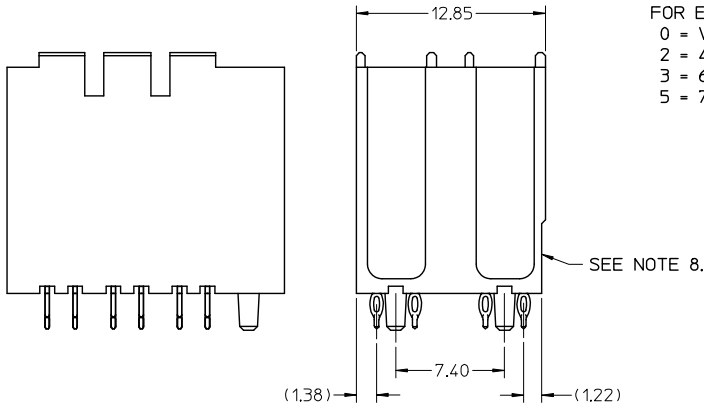
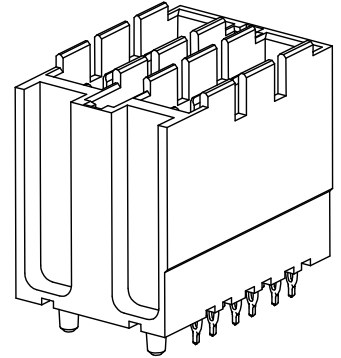
10 9 8 7 6 5 4 3 2 1

10 9 8 7 6 5 4 3 2 1



2-UP ASSEMBLY PART NUMBER

7 5 3 3 2 - 0 A B C
 - MATTE TIN (FORMERLY TIN/LEAD) PLATED PRODUCT -
 FOR EACH ROW LOCATION A, B, C:
 0 = VOID
 4 = 4.5 mm WIPE
 6 = 6.0 mm WIPE
 7 = 7.5 mm WIPE
 - MATTE TIN PLATED PRODUCT -
 FOR EACH ROW LOCATION A, B, C:
 0 = VOID
 2 = 4.5 mm WIPE
 3 = 6.0 mm WIPE
 5 = 7.5 mm WIPE

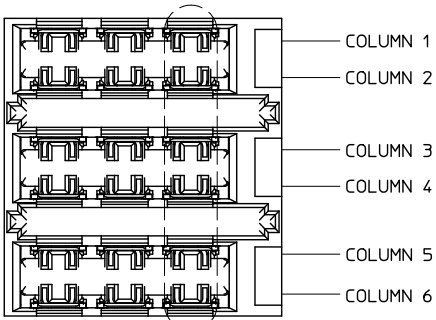


SEE SHEET 1 FOR ADDITIONAL INFORMATION
 CHECK WITH PRODUCT MANAGER FOR AVAILABILITY

SEE SHEET 1 EC NO: UCP2013-2305 DRAWN BY: HIRN/HPLE 2012/12/07 CHECKED BY: CHUCK/MOLE 2012/12/07 APPROVED BY: APPRES/MILLER 2012/12/17 REV:	QUALITY SYMBOLS	GENERAL TOLERANCES (UNLESS SPECIFIED)		DIMENSION STYLE	SCALE	DESIGN UNITS	THIRD ANGLE PROJECTION	
	▽=0	mm	INCH	MM ONLY	4:1	METRIC	☉	
	▽=0	4 PLACES ±	---	±	---	DRAWN BY: ELO	DATE: 2005/02/18	TITLE GBX 3 PAIR BACKPLANE POWER SALES ASSEMBLY molex
	▽=0	3 PLACES ±	---	±	---	CHECKED BY: ELO	DATE: 2005/02/22	
▽=0	2 PLACES ±	.13	±	---	APPROVED BY: CUNNINGHAM	DATE: 2005/02/23	DOCUMENT NO. SD-75331-001	
	1 PLACE ±	0.25	±	---	MATERIAL NO. SEE CHART		SHEET NO. 2 OF 4	
	0 PLACE ±		±	---	SIZE B	THIS DRAWING CONTAINS INFORMATION THAT IS PROPRIETARY TO MOLEX INCORPORATED AND SHOULD NOT BE USED WITHOUT WRITTEN PERMISSION		

9 8 7 6 5 4 3 2 1

10 9 8 7 6 5 4 3 2 1



3-UP ASSEMBLY PART NUMBER

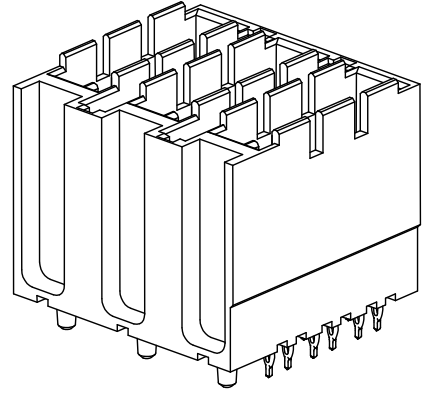
7 5 3 3 3 - 0 A B C

- MATTE TIN (FORMERLY TIN/LEAD) PLATED PRODUCT -
FOR EACH ROW LOCATION A, B, C:

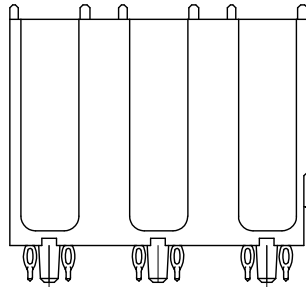
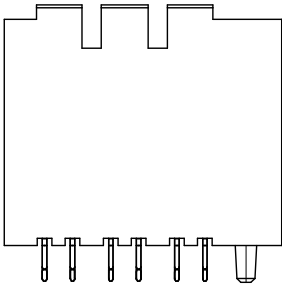
- 0 = VOID
- 4 = 4.5 mm WIPE
- 6 = 6.0 mm WIPE
- 7 = 7.5 mm WIPE

- MATTE TIN PLATED PRODUCT -
FOR EACH ROW LOCATION A, B, C:

- 0 = VOID
- 2 = 4.5 mm WIPE
- 3 = 6.0 mm WIPE
- 5 = 7.5 mm WIPE



SEE NOTE 4.

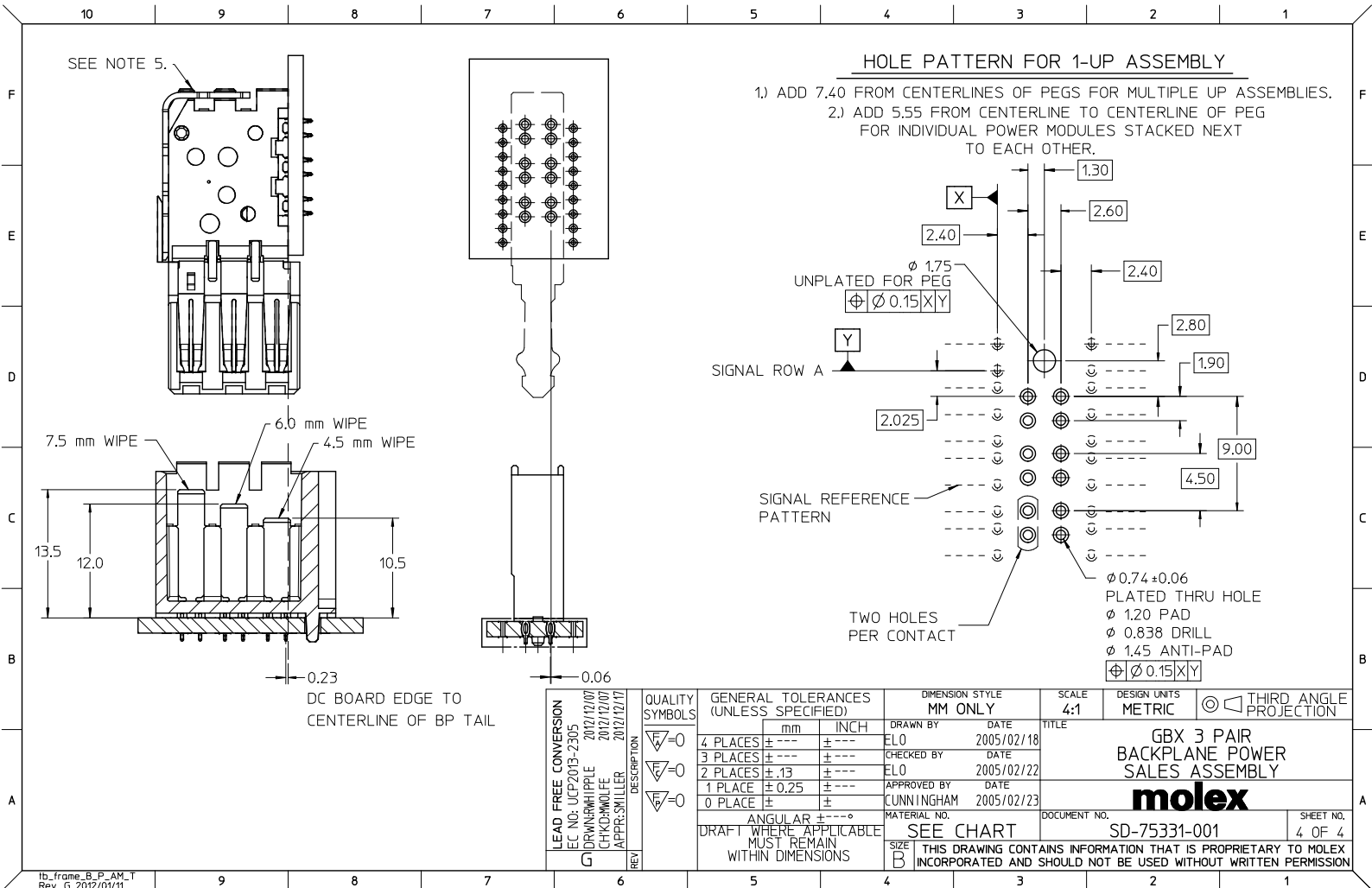


SEE NOTE 8.

SEE SHEET 1 FOR ADDITIONAL INFORMATION
CHECK WITH PRODUCT MANAGER FOR AVAILABILITY

SEE SHEET 1 EC NO: UCP2013-2305 DRAWN BY: CHYKSHOLLE CHECKED BY: APPR:SMILLER DATE: 2012/12/07 DATE: 2012/12/17	QUALITY SYMBOLS	GENERAL TOLERANCES (UNLESS SPECIFIED)	DIMENSION STYLE	SCALE	DESIGN UNITS	THIRD ANGLE PROJECTION																		
	$\nabla=0$ $\nabla=0$ $\nabla=0$	<table border="1"> <thead> <tr> <th></th> <th>mm</th> <th>INCH</th> </tr> </thead> <tbody> <tr> <td>4 PLACES</td> <td>± .---</td> <td>± .---</td> </tr> <tr> <td>3 PLACES</td> <td>± .---</td> <td>± .---</td> </tr> <tr> <td>2 PLACES</td> <td>± .13</td> <td>± .---</td> </tr> <tr> <td>1 PLACE</td> <td>± 0.25</td> <td>± .---</td> </tr> <tr> <td>0 PLACE</td> <td>±</td> <td>±</td> </tr> </tbody> </table>		mm	INCH	4 PLACES	± .---	± .---	3 PLACES	± .---	± .---	2 PLACES	± .13	± .---	1 PLACE	± 0.25	± .---	0 PLACE	±	±	MM ONLY	4:1	METRIC	
		mm	INCH																					
	4 PLACES	± .---	± .---																					
3 PLACES	± .---	± .---																						
2 PLACES	± .13	± .---																						
1 PLACE	± 0.25	± .---																						
0 PLACE	±	±																						
DESCRIPTION	ANGULAR ± .---° DRAFT WHERE APPLICABLE MUST REMAIN WITHIN DIMENSIONS	DRAWN BY: ELO CHECKED BY: ELO APPROVED BY: CUNNINGHAM DATE: 2005/02/18 DATE: 2005/02/22 DATE: 2005/02/23	TITLE	GBX 3 PAIR BACKPLANE POWER SALES ASSEMBLY		SHEET NO. 3 OF 4																		
REV			SEE CHART	DOCUMENT NO.	SD-75331-001																			

9 8 7 6 5 4 3 2 1



LEAD FREE CONVERSION EC NO: UCP2013-2305 DRAWN BY: CHYKSHIMOLEE CHECKED BY: CHYKSHIMOLEE APPROVED BY: APPR:SMILLER	DESCRIPTION 2012/12/07 2012/12/07 2012/12/17	QUALITY SYMBOLS	GENERAL TOLERANCES (UNLESS SPECIFIED)		DIMENSION STYLE		SCALE	DESIGN UNITS	THIRD ANGLE PROJECTION
		$\nabla=0$ $\nabla=0$ $\nabla=0$	mm	INCH	MM ONLY	4:1	METRIC		
4 PLACES ± --- ± --- 3 PLACES ± --- ± --- 2 PLACES ± .13 ± --- 1 PLACE ± 0.25 ± --- 0 PLACE ± ±			DRAWN BY: ELO CHECKED BY: ELO APPROVED BY: CUNNINGHAM DATE: 2005/02/18 DATE: 2005/02/22 DATE: 2005/02/23		TITLE: GBX 3 PAIR BACKPLANE POWER SALES ASSEMBLY molex		DOCUMENT NO. SD-75331-001	SHEET NO. 4 OF 4	
ANGULAR ± --- ° DRAFT WHERE APPLICABLE MUST REMAIN WITHIN DIMENSIONS			MATERIAL NO. SEE CHART		THIS DRAWING CONTAINS INFORMATION THAT IS PROPRIETARY TO MOLEX INCORPORATED AND SHOULD NOT BE USED WITHOUT WRITTEN PERMISSION				