

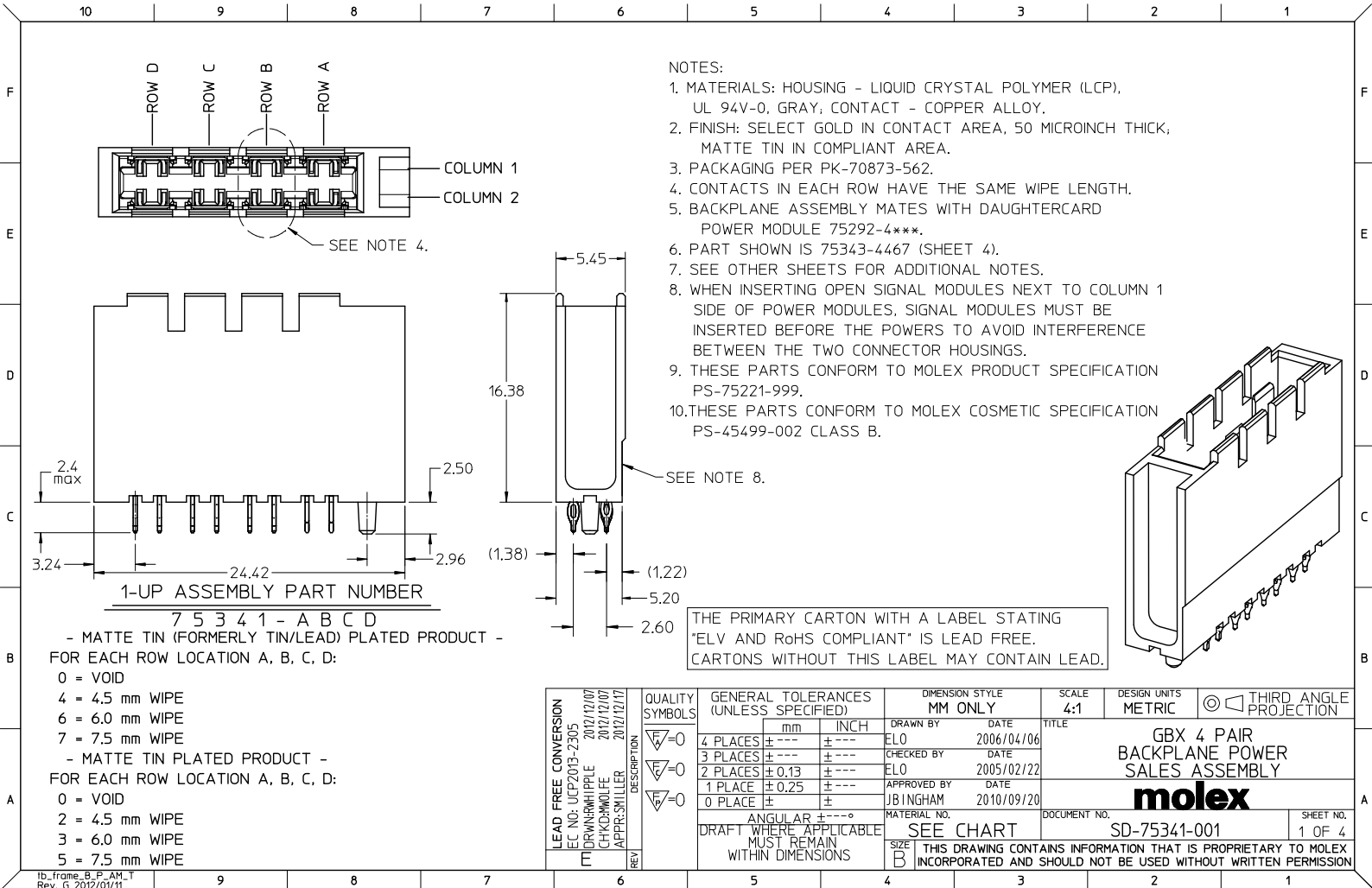
Excellent Integrated System Limited

Stocking Distributor

Click to view price, real time Inventory, Delivery & Lifecycle Information:

[Molex Connector Corporation](#)
[0753416774](#)

For any questions, you can email us directly:
sales@integrated-circuit.com

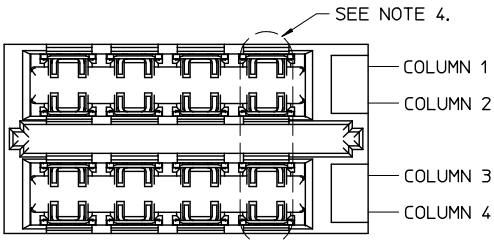


- MATTE TIN (FORMERLY TIN/LEAD) PLATED PRODUCT -
FOR EACH ROW LOCATION A, B, C, D:
0 = VOID
4 = 4.5 mm WIPE
6 = 6.0 mm WIPE
7 = 7.5 mm WIPE

- MATTE TIN PLATED PRODUCT -
FOR EACH ROW LOCATION A, B, C, D:
0 = VOID
2 = 4.5 mm WIPE
3 = 6.0 mm WIPE
5 = 7.5 mm WIPE

LEAD FREE CONVERSION EC NO: UCP2013-2305 2012/12/07 DRAWN BY: CHENHUI CHKD BY: CHENHUI APPROVED BY: APPR:SMILLER 2012/12/17	QUALITY SYMBOLS ▽=0 ▽=0 ▽=0	GENERAL TOLERANCES (UNLESS SPECIFIED)		DIMENSION STYLE MM ONLY		SCALE 4:1	DESIGN UNITS METRIC	THIRD ANGLE PROJECTION
		mm	INCH	DRAWN BY ELO	DATE 2006/04/06	TITLE GBX 4 PAIR BACKPLANE POWER SALES ASSEMBLY	molex	
		4 PLACES ±	±	CHECKED BY ELO	DATE 2005/02/22	DOCUMENT NO. SD-75341-001		SHEET NO. 1 OF 4
		3 PLACES ±	±	APPROVED BY JB INGHAM	DATE 2010/09/20	THIS DRAWING CONTAINS INFORMATION THAT IS PROPRIETARY TO MOLEX INCORPORATED AND SHOULD NOT BE USED WITHOUT WRITTEN PERMISSION		
		2 PLACES ±	±0.13	MATERIAL NO. SEE CHART				
		1 PLACE ±	±0.25	SIZE B				
		0 PLACE ±	±	ANGULAR ±				
		DRAFT WHERE APPLICABLE MUST REMAIN WITHIN DIMENSIONS						

10 9 8 7 6 5 4 3 2 1



2-UP ASSEMBLY PART NUMBER

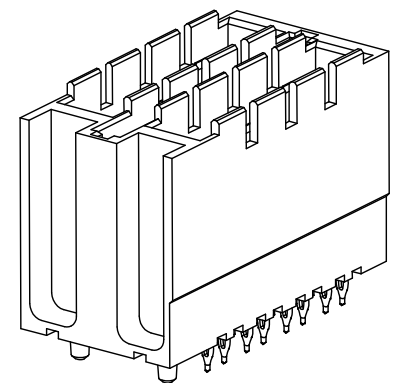
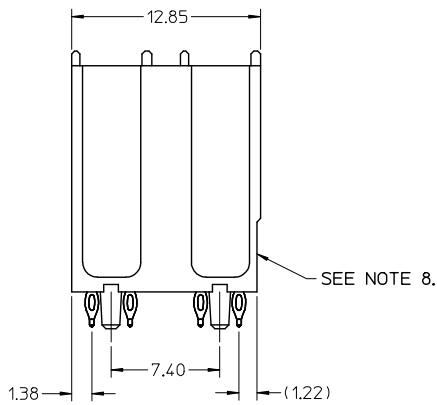
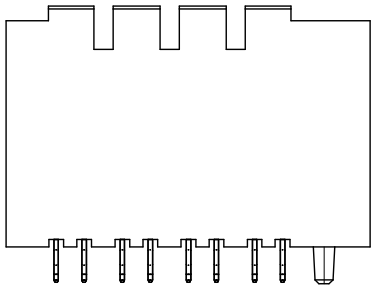
7 5 3 4 2 - A B C D

- MATTE TIN (FORMERLY TIN LEAD) PLATED PRODUCT -
FOR EACH ROW LOCATION A, B, C, D:

- 0 = VOID
- 4 = 4.5 mm WIPE
- 6 = 6.0 mm WIPE
- 7 = 7.5 mm WIPE

- MATTE TIN PLATED PRODUCT -
FOR EACH ROW LOCATION A, B, C, D:

- 0 = VOID
- 2 = 4.5 mm WIPE
- 3 = 6.0 mm WIPE
- 5 = 7.5 mm WIPE

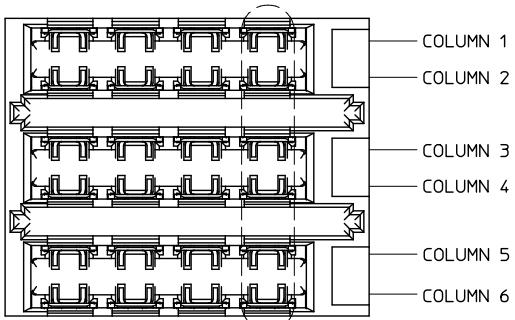


SEE SHEET 1 FOR ADDITIONAL INFORMATION
CHECK WITH PRODUCT MANAGER FOR AVAILABILITY

LEAD FREE CONVERSION EC NO: UCP2013-2305 DT: DRINKWATER 2012/11/07 CHKD: MOLE 2012/11/07 APPR: SMILLER 2012/11/17	QUALITY SYMBOLS 	GENERAL TOLERANCES (UNLESS SPECIFIED)		DIMENSION STYLE MM ONLY		SCALE 4:1	DESIGN UNITS METRIC	THIRD ANGLE PROJECTION		
			mm	INCH	DRAWN BY ELO	DATE 2006/04/06	TITLE GBX 4 PAIR BACKPLANE POWER SALES ASSEMBLY molex			
		4 PLACES ±	---	±	---	CHECKED BY ELO				DATE 2005/02/22
		3 PLACES ±	---	±	---	APPROVED BY JB INGHAM	DATE 2010/09/20	MATERIAL NO. SEE CHART	DOCUMENT NO. SD-75341-001	SHEET NO. 2 OF 4
2 PLACES ±	0.13	±	---	ANGULAR ±---° DRAFT WHERE APPLICABLE MUST REMAIN WITHIN DIMENSIONS					THIS DRAWING CONTAINS INFORMATION THAT IS PROPRIETARY TO MOLEX INCORPORATED AND SHOULD NOT BE USED WITHOUT WRITTEN PERMISSION	
1 PLACE ±	0.25	±	---							
0 PLACE ±	±	±	---							

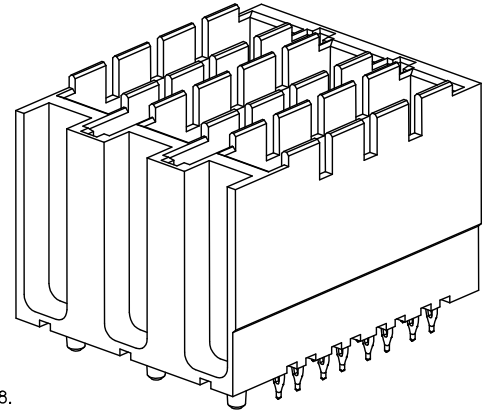
9 8 7 6 5 4 3 2 1

10 9 8 7 6 5 4 3 2 1

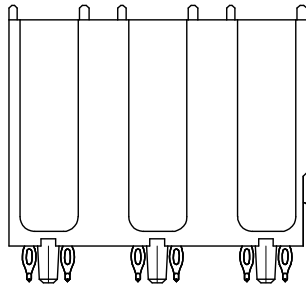
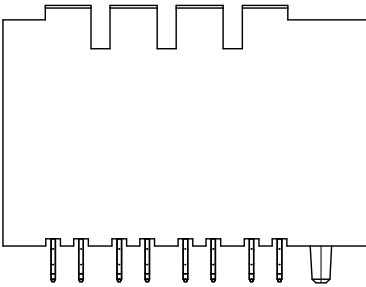


3-UP ASSEMBLY PART NUMBER

7 5 3 4 3 - A B C D
 - MATTE TIN (FORMERLY TIN LEAD) PLATED PRODUCT -
 FOR EACH ROW LOCATION A, B, C, D:
 0 = VOID
 4 = 4.5 mm WIPE
 6 = 6.0 mm WIPE
 7 = 7.5 mm WIPE
 - MATTE TIN PLATED PRODUCT -
 FOR EACH ROW LOCATION A, B, C, D:
 0 = VOID
 2 = 4.5 mm WIPE
 3 = 6.0 mm WIPE
 5 = 7.5 mm WIPE



SEE NOTE 4.



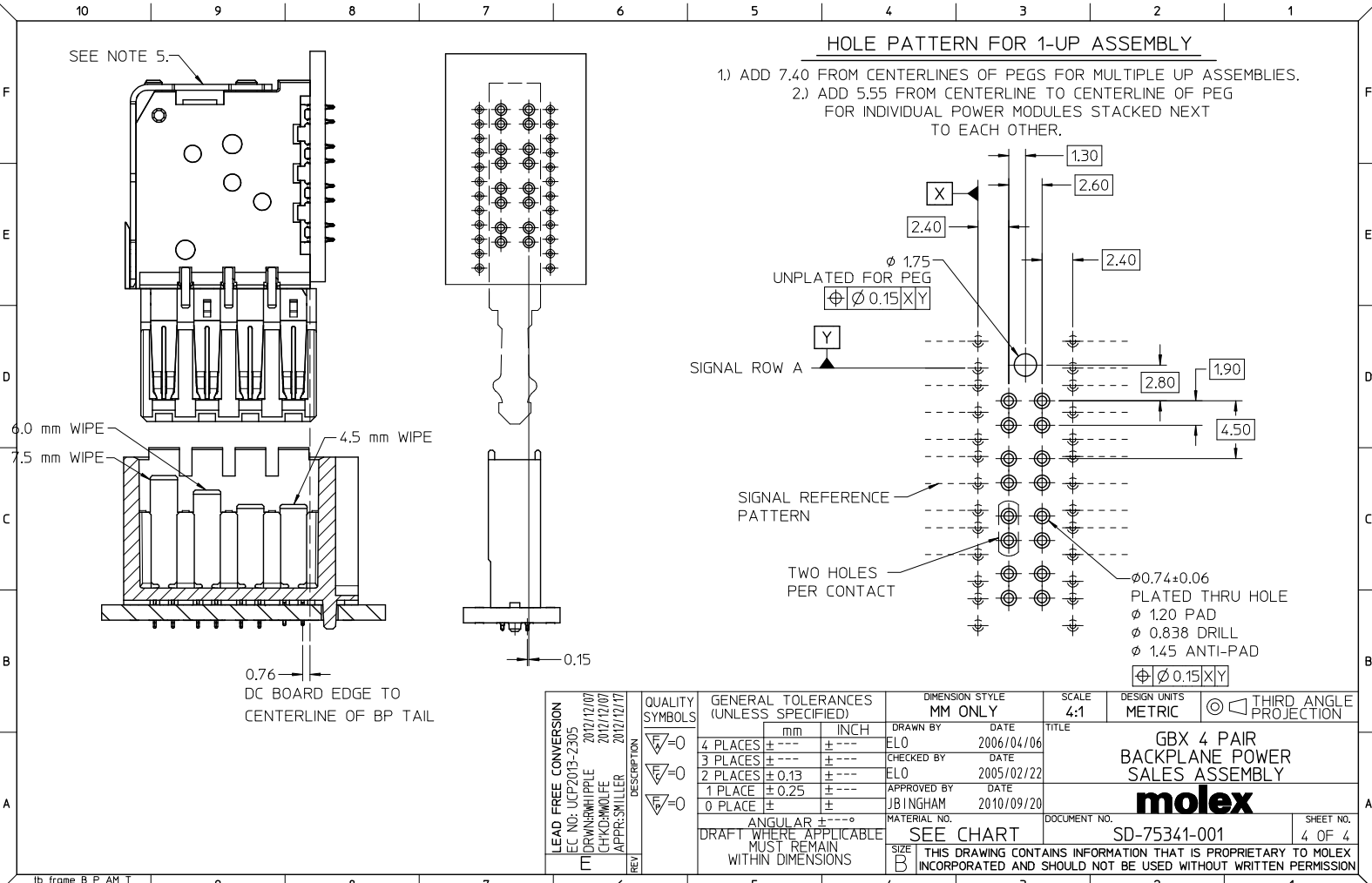
SEE NOTE 8.

14.80

SEE SHEET 1 FOR ADDITIONAL INFORMATION
 CHECK WITH PRODUCT MANAGER FOR AVAILABILITY

LEAD FREE CONVERSION EC NO: UCP2013-2305 DRAWN BY: DRUMHUPPLE CHECKED BY: CHICKMOLLE APPROVED BY: APPERSMILLER DATE: 2012/12/07 DATE: 2012/12/07 DATE: 2012/12/17	QUALITY SYMBOLS	GENERAL TOLERANCES (UNLESS SPECIFIED)		DIMENSION STYLE MM ONLY		SCALE 4:1	DESIGN UNITS METRIC	THIRD ANGLE PROJECTION
	▽=0	mm	INCH	DRAWN BY	DATE	TITLE		
	▽=0	4 PLACES ±	±	ELO	2006/04/06	GBX 4 PAIR BACKPLANE POWER SALES ASSEMBLY		
	▽=0	3 PLACES ±	±	CHECKED BY	DATE			
▽=0	2 PLACES ±	±	ELO	2005/02/22				
▽=0	1 PLACE ±	±	APPROVED BY	DATE	DOCUMENT NO.		SHEET NO.	
▽=0	0 PLACE ±	±	JBINGHAM	2010/09/20	SD-75341-001		3 OF 4	
ANGULAR ±	DRAFT WHERE APPLICABLE MUST REMAIN WITHIN DIMENSIONS		MATERIAL NO. SEE CHART		THIS DRAWING CONTAINS INFORMATION THAT IS PROPRIETARY TO MOLEX INCORPORATED AND SHOULD NOT BE USED WITHOUT WRITTEN PERMISSION			
REV	SIZE							
	B							

10 9 8 7 6 5 4 3 2 1



LEAD FREE CONVERSION EC NO: UCP2013-2305 DRAWN BY: CHENHUIPPE CHECKED BY: CHENWOLFE APPROVED BY: APPR:SMILLER	DESCRIPTION REV	QUALITY SYMBOLS	GENERAL TOLERANCES (UNLESS SPECIFIED)		DIMENSION STYLE MM ONLY		SCALE 4:1	DESIGN UNITS METRIC	THIRD ANGLE PROJECTION
		$\nabla = 0$ $\nabla = 0$ $\nabla = 0$	mm	INCH	DRAWN BY ELO	DATE 2006/04/06	TITLE GBX 4 PAIR BACKPLANE POWER SALES ASSEMBLY	molex	
			4 PLACES	\pm ---	\pm ---	CHECKED BY ELO	DATE 2005/02/22	DOCUMENT NO. SD-75341-001	
			3 PLACES	\pm ---	\pm ---	APPROVED BY JBINGHAM	DATE 2010/09/20	SHEET NO. 4 OF 4	
			2 PLACES	± 0.13	\pm ---	MATERIAL NO. SEE CHART			
			1 PLACE	± 0.25	\pm ---	SIZE B THIS DRAWING CONTAINS INFORMATION THAT IS PROPRIETARY TO MOLEX INCORPORATED AND SHOULD NOT BE USED WITHOUT WRITTEN PERMISSION			
			0 PLACE	\pm	\pm				