

Excellent Integrated System Limited

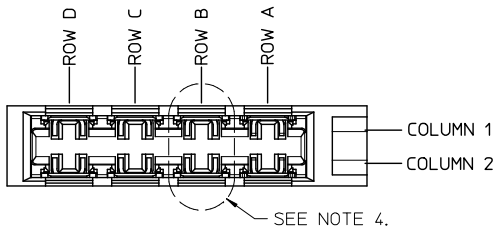
Stocking Distributor

Click to view price, real time Inventory, Delivery & Lifecycle Information:

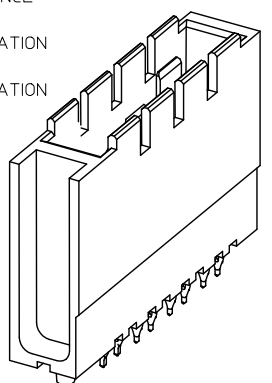
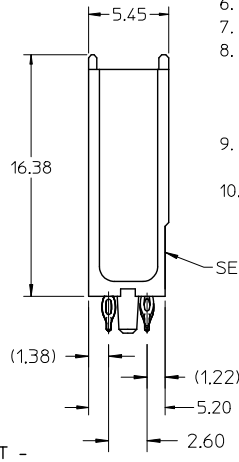
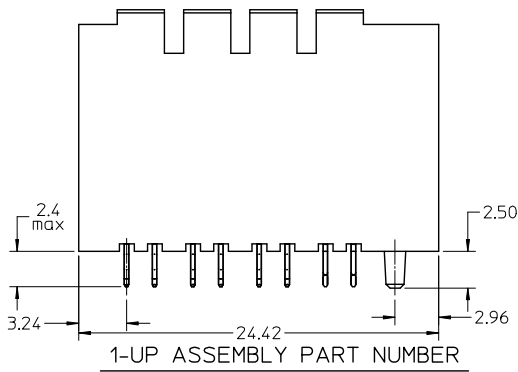
[Molex Connector Corporation](#)
[0753417447](#)

For any questions, you can email us directly:
sales@integrated-circuit.com

10 9 8 7 6 5 4 3 2 1



- NOTES:
1. MATERIALS: HOUSING - LIQUID CRYSTAL POLYMER (LCP), UL 94V-0, GRAY; CONTACT - COPPER ALLOY.
 2. FINISH: SELECT GOLD IN CONTACT AREA, 50 MICROINCH THICK, MATTE TIN IN COMPLIANT AREA.
 3. PACKAGING PER PK-70873-562.
 4. CONTACTS IN EACH ROW HAVE THE SAME WIPE LENGTH.
 5. BACKPLANE ASSEMBLY MATES WITH DAUGHTERCARD POWER MODULE 75292-4***.
 6. PART SHOWN IS 75343-4467 (SHEET 4).
 7. SEE OTHER SHEETS FOR ADDITIONAL NOTES.
 8. WHEN INSERTING OPEN SIGNAL MODULES NEXT TO COLUMN 1 SIDE OF POWER MODULES, SIGNAL MODULES MUST BE INSERTED BEFORE THE POWERS TO AVOID INTERFERENCE BETWEEN THE TWO CONNECTOR HOUSINGS.
 9. THESE PARTS CONFORM TO MOLEX PRODUCT SPECIFICATION PS-75221-999.
 10. THESE PARTS CONFORM TO MOLEX COSMETIC SPECIFICATION PS-45499-002 CLASS B.



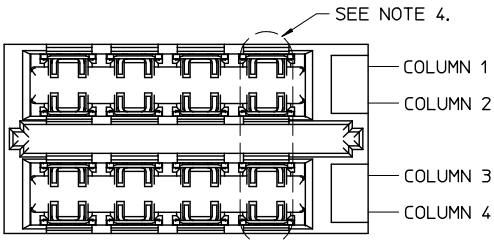
1-UP ASSEMBLY PART NUMBER
7 5 3 4 1 - A B C D
 - MATTE TIN (FORMERLY TIN/LEAD) PLATED PRODUCT -
 FOR EACH ROW LOCATION A, B, C, D:
 0 = VOID
 4 = 4.5 mm WIPE
 6 = 6.0 mm WIPE
 7 = 7.5 mm WIPE
 - MATTE TIN PLATED PRODUCT -
 FOR EACH ROW LOCATION A, B, C, D:
 0 = VOID
 2 = 4.5 mm WIPE
 3 = 6.0 mm WIPE
 5 = 7.5 mm WIPE

THE PRIMARY CARTON WITH A LABEL STATING "ELV AND RoHS COMPLIANT" IS LEAD FREE. CARTONS WITHOUT THIS LABEL MAY CONTAIN LEAD.

LEAD FREE CONVERSION EC NO: UCP2013-2305 2012/12/07 DRINKWATER 2012/12/07 CHKHMOLLE 2012/12/07 APPRESMILLER 2012/12/17	QUALITY SYMBOLS	GENERAL TOLERANCES (UNLESS SPECIFIED)	DIMENSION STYLE	SCALE	DESIGN UNITS	THIRD ANGLE PROJECTION
	□=0 ▽=0 ▽=0	mm INCH 4 PLACES ± --- ± --- 3 PLACES ± --- ± --- 2 PLACES ± 0.13 ± --- 1 PLACE ± 0.25 ± --- 0 PLACE ± ±	MM ONLY	4:1	METRIC	☉ □ THIRD ANGLE PROJECTION
	DESCRIPTION	ANGULAR ± --- ° DRAFT WHERE APPLICABLE MUST REMAIN WITHIN DIMENSIONS	DRAWN BY: ELO DATE: 2006/04/06 CHECKED BY: ELO DATE: 2005/02/22 APPROVED BY: J.B. INGHAM DATE: 2010/09/20	TITLE	GBX 4 PAIR BACKPLANE POWER SALES ASSEMBLY	
	REV	SIZE B	MATERIAL NO.	DOCUMENT NO.	molex SD-75341-001	

10 9 8 7 6 5 4 3 2 1

10 9 8 7 6 5 4 3 2 1



2-UP ASSEMBLY PART NUMBER

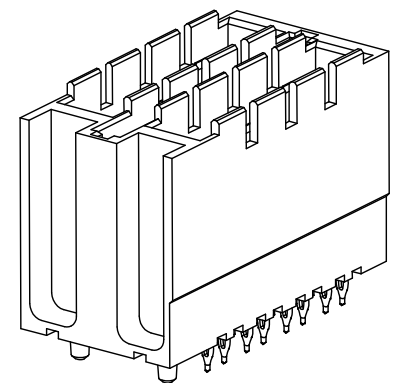
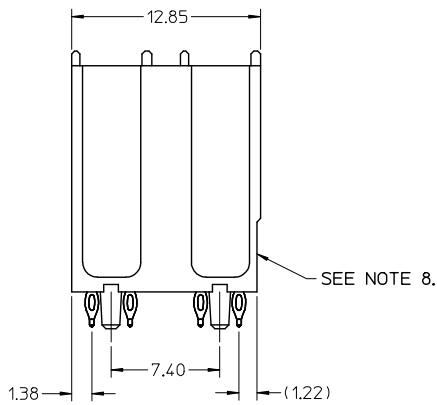
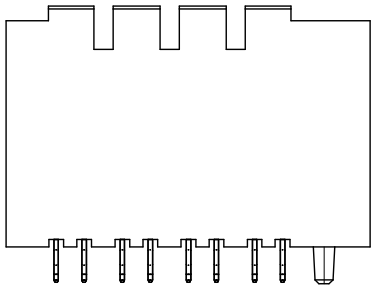
7 5 3 4 2 - A B C D

- MATTE TIN (FORMERLY TIN LEAD) PLATED PRODUCT -
FOR EACH ROW LOCATION A, B, C, D:

- 0 = VOID
- 4 = 4.5 mm WIPE
- 6 = 6.0 mm WIPE
- 7 = 7.5 mm WIPE

- MATTE TIN PLATED PRODUCT -
FOR EACH ROW LOCATION A, B, C, D:

- 0 = VOID
- 2 = 4.5 mm WIPE
- 3 = 6.0 mm WIPE
- 5 = 7.5 mm WIPE

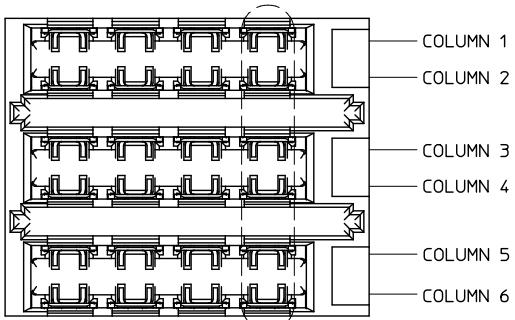


SEE SHEET 1 FOR ADDITIONAL INFORMATION
CHECK WITH PRODUCT MANAGER FOR AVAILABILITY

LEAD FREE CONVERSION EC NO: UCP2013-2305 DRAWN BY: JTB CHECKED BY: CHK APPROVED BY: APPR DATE: 2012/11/07 DATE: 2012/11/07 DATE: 2012/11/17	QUALITY SYMBOLS 	GENERAL TOLERANCES (UNLESS SPECIFIED)		DIMENSION STYLE MM ONLY	SCALE 4:1	DESIGN UNITS METRIC	THIRD ANGLE PROJECTION	
		4 PLACES ± --- ± ---	3 PLACES ± --- ± ---	DRAWN BY: ELO DATE: 2006/04/06	TITLE GBX 4 PAIR BACKPLANE POWER SALES ASSEMBLY			
		2 PLACES ± 0.13 ± ---	1 PLACE ± 0.25 ± ---	CHECKED BY: ELO DATE: 2005/02/22				
		0 PLACE ± ±	ANGULAR ± --- ° DRAFT WHERE APPLICABLE MUST REMAIN WITHIN DIMENSIONS	APPROVED BY: JBI DATE: 2010/09/20	MATERIAL NO. SEE CHART	DOCUMENT NO. SD-75341-001	SHEET NO. 2 OF 4	
				THIS DRAWING CONTAINS INFORMATION THAT IS PROPRIETARY TO MOLEX INCORPORATED AND SHOULD NOT BE USED WITHOUT WRITTEN PERMISSION				

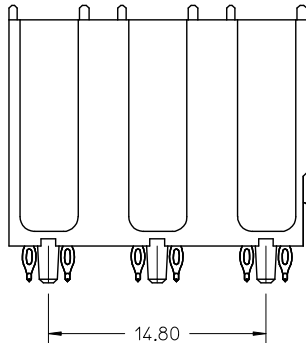
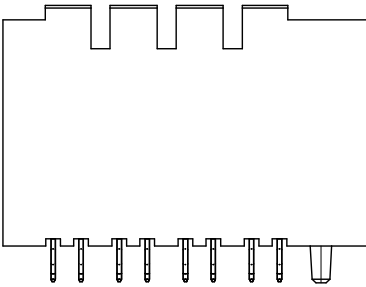
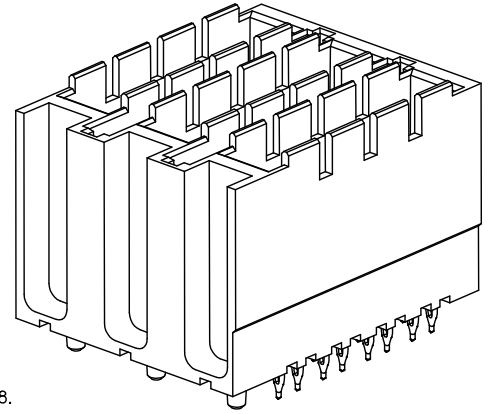
9 8 7 6 5 4 3 2 1

10 9 8 7 6 5 4 3 2 1



3-UP ASSEMBLY PART NUMBER

7 5 3 4 3 - A B C D
 - MATTE TIN (FORMERLY TIN LEAD) PLATED PRODUCT -
 FOR EACH ROW LOCATION A, B, C, D:
 0 = VOID
 4 = 4.5 mm WIPE
 6 = 6.0 mm WIPE
 7 = 7.5 mm WIPE
 - MATTE TIN PLATED PRODUCT -
 FOR EACH ROW LOCATION A, B, C, D:
 0 = VOID
 2 = 4.5 mm WIPE
 3 = 6.0 mm WIPE
 5 = 7.5 mm WIPE

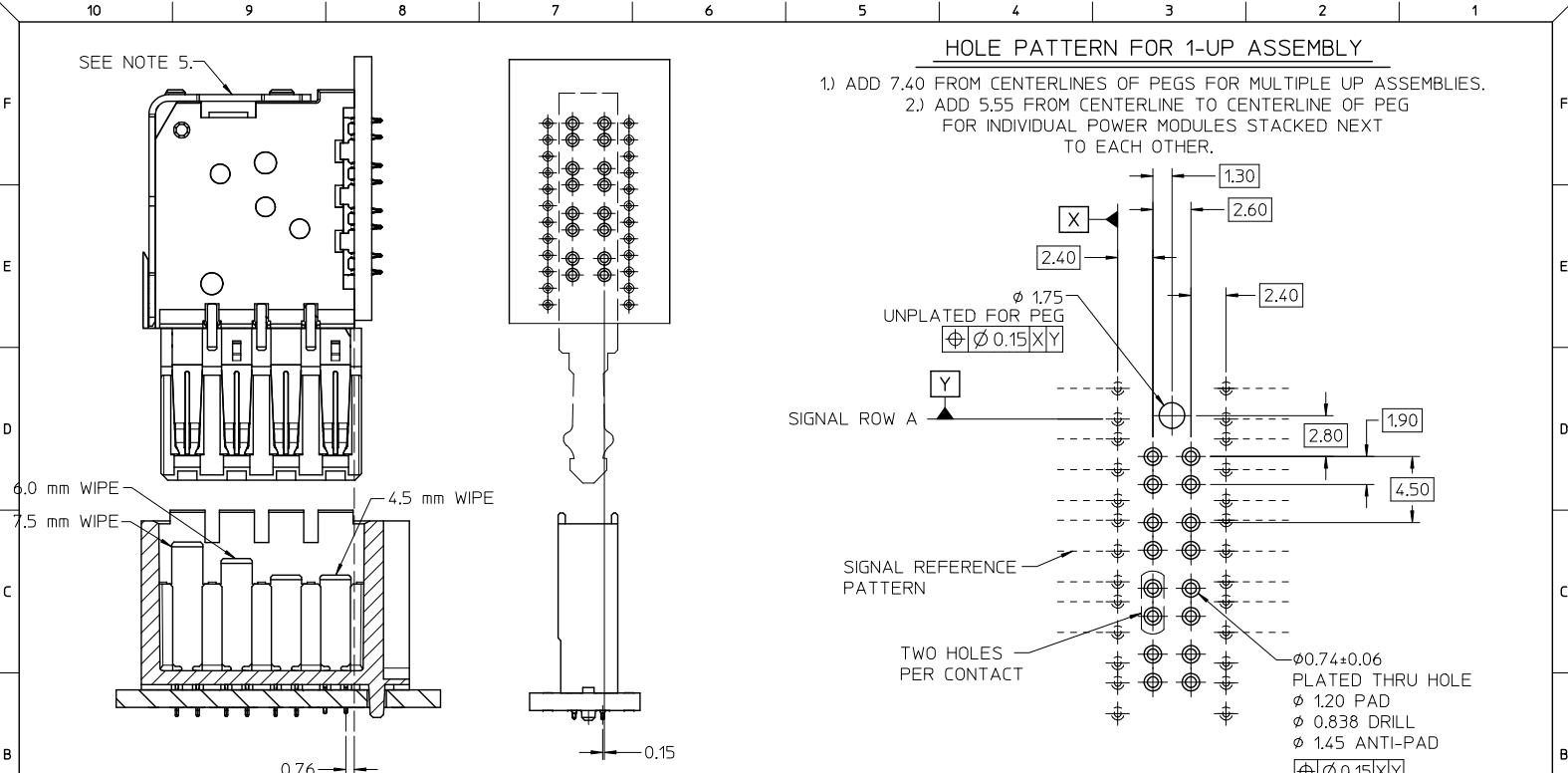


SEE NOTE 8.

SEE SHEET 1 FOR ADDITIONAL INFORMATION
 CHECK WITH PRODUCT MANAGER FOR AVAILABILITY

LEAD FREE CONVERSION EC NO: UCP2013-2305 DRAWN BY: DRINKWIPPLE CHECKED BY: CHICKMOLLE APPROVED BY: APPERSMILLER DATE: 2012/12/07 DATE: 2012/12/07 DATE: 2012/12/17	QUALITY SYMBOLS	GENERAL TOLERANCES (UNLESS SPECIFIED)		DIMENSION STYLE MM ONLY		SCALE 4:1	DESIGN UNITS METRIC	THIRD ANGLE PROJECTION
	DESCRIPTION	mm	INCH	DRAWN BY	DATE	TITLE		
	▽=0	4 PLACES ±	±	ELO	2006/04/06	GBX 4 PAIR BACKPLANE POWER SALES ASSEMBLY		
	▽=0	3 PLACES ±	±	CHECKED BY	DATE	molex DOCUMENT NO. SD-75341-001 SHEET NO. 3 OF 4		
▽=0	2 PLACES ±0.13	±	ELO	2005/02/22				
▽=0	1 PLACE ±0.25	±	APPROVED BY	DATE				
▽=0	0 PLACE ±	±	JBINGHAM	2010/09/20				
REV	ANGULAR ±	±	MATERIAL NO.		SEE CHART			
	DRAFT WHERE APPLICABLE MUST REMAIN WITHIN DIMENSIONS			SIZE	THIS DRAWING CONTAINS INFORMATION THAT IS PROPRIETARY TO MOLEX INCORPORATED AND SHOULD NOT BE USED WITHOUT WRITTEN PERMISSION			

9 8 7 6 5 4 3 2 1



1) ADD 7.40 FROM CENTERLINES OF PEGS FOR MULTIPLE UP ASSEMBLIES.
2) ADD 5.55 FROM CENTERLINE TO CENTERLINE OF PEG FOR INDIVIDUAL POWER MODULES STACKED NEXT TO EACH OTHER.

HOLE PATTERN FOR 1-UP ASSEMBLY

LEAD FREE CONVERSION EC NO: UCP2013-2305 DRAWN BY: CHENHUIPIE CHECKED BY: CHENWOLFE APPROVED BY: APPR:SMILLER	DESCRIPTION REV	QUALITY SYMBOLS ▽=0 ▽=0 ▽=0	GENERAL TOLERANCES (UNLESS SPECIFIED)		DIMENSION STYLE MM ONLY		SCALE 4:1	DESIGN UNITS METRIC	THIRD ANGLE PROJECTION
			mm	INCH	DRAWN BY ELO	DATE 2006/04/06	TITLE GBX 4 PAIR BACKPLANE POWER SALES ASSEMBLY		
			4 PLACES ±	±				molex	
			3 PLACES ±	±	CHECKED BY ELO	DATE 2005/02/22	DOCUMENT NO. SD-75341-001		
			2 PLACES ±	±0.13	APPROVED BY JBINGHAM	DATE 2010/09/20	SHEET NO. 4 OF 4		
			1 PLACE ±	±0.25	MATERIAL NO. SEE CHART		THIS DRAWING CONTAINS INFORMATION THAT IS PROPRIETARY TO MOLEX INCORPORATED AND SHOULD NOT BE USED WITHOUT WRITTEN PERMISSION		
			0 PLACE ±	±	SIZE B				