

Excellent Integrated System Limited

Stocking Distributor

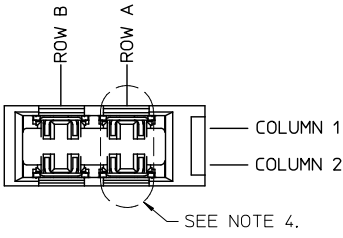
Click to view price, real time Inventory, Delivery & Lifecycle Information:

[Molex Connector Corporation](#)
[0754921076](#)

For any questions, you can email us directly:

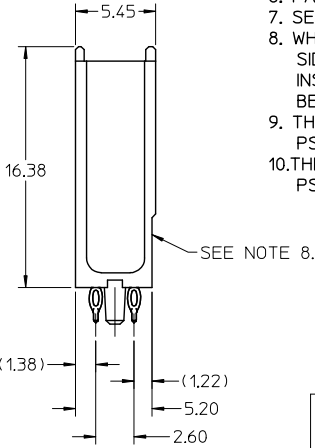
sales@integrated-circuit.com

10 9 8 7 6 5 4 3 2 1

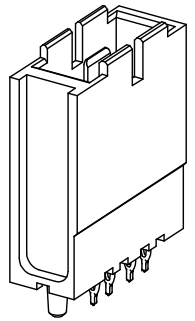


NOTES:

1. MATERIALS: HOUSING - LIQUID CRYSTAL POLYMER (LCP), UL 94V-0, GRAY; CONTACT - COPPER ALLOY
2. FINISH: SELECT GOLD IN CONTACT AREA, 50 MICROINCH THICK, MATTE TIN IN COMPLIANT AREA.
3. PACKAGING PER PK-70873-578.
4. CONTACTS IN EACH ROW HAVE THE SAME WIPE LENGTH.
5. BACKPLANE ASSEMBLY MATES WITH DAUGHTERCARD POWER MODULE 75292-2***.
6. PART SHOWN IS 75492-1067.
7. SEE OTHER SHEETS FOR ADDITIONAL NOTES.
8. WHEN INSERTING OPEN SIGNAL MODULES NEXT TO COLUMN 1 SIDE OF POWER MODULES, SIGNAL MODULES MUST BE INSERTED BEFORE THE POWERS TO AVOID INTERFERENCE BETWEEN THE TWO CONNECTOR HOUSINGS.
9. THESE PARTS CONFORM TO MOLEX PRODUCT SPECIFICATION PS-75221-999.
10. THESE PARTS CONFORM TO MOLEX COSMETIC SPECIFICATION PS-45499-002 CLASS B.



THE PRIMARY CARTON WITH A LABEL STATING "ELV AND RoHS COMPLIANT" IS LEAD FREE. CARTONS WITHOUT THIS LABEL MAY CONTAIN LEAD.



1-UP ASSEMBLY PART NUMBER

7 5 4 9 2 - 1 0 A B

- MATTE TIN (FORMERLY TIN/LEAD) PLATED PRODUCT -

FOR EACH ROW LOCATION A, B:

4 = 4.5 mm

6 = 6.0 mm

7 = 7.5 mm

- MATTE TIN PLATED PRODUCT -

FOR EACH ROW LOCATION A, B:

2 = 4.5 mm

3 = 6.0 mm

5 = 7.5 mm

SEE SHEET 4 FOR HOLE PATTERN LAYOUT

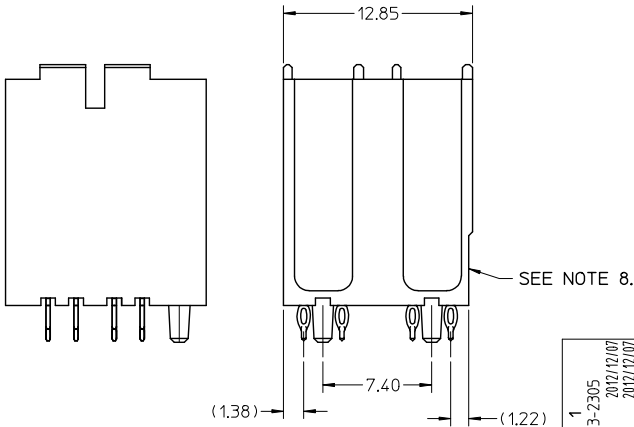
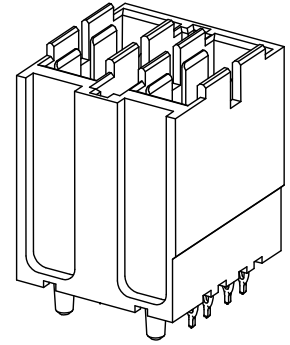
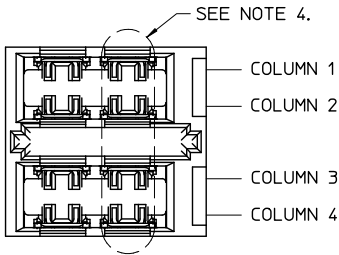
LEAD FREE CONVERSION EC NO: UCP2013-2305 2012/12/07 DR: WIMPEL CHK: MOLF APPR: MILLER 2012/12/17	QUALITY SYMBOLS $\nabla=0$ $\nabla=0$ $\nabla=0$	GENERAL TOLERANCES (UNLESS SPECIFIED)		DIMENSION STYLE		SCALE	DESIGN UNITS	THIRD ANGLE PROJECTION		
				MM ONLY		4:1	METRIC			
				mm	INCH	DRAWN BY	DATE	TITLE		
						ELO	2005/07/01	GBX 2 PAIR BACKPLANE POWER SALES ASSEMBLY		
D REV	DESCRIPTION	4 PLACES	±	---	±	---	CHECKED BY	DATE	molex SD-75492-001 SHEET NO. 1 OF 4	
		3 PLACES	±	---	±	---	ELO	2005/07/01		
		2 PLACES	±	0.13	±	---	APPROVED BY	DATE		
		1 PLACE	±	0.25	±	---	JB INGHAM	2010/09/20		
		0 PLACE	±	---	±	---	MATERIAL NO.	DOCUMENT NO.		
		ANGULAR ± 5 °		SEE CHART						
		DRAFT WHERE APPLICABLE MUST REMAIN WITHIN DIMENSIONS		SIZE B		THIS DRAWING CONTAINS INFORMATION THAT IS PROPRIETARY TO MOLEX INCORPORATED AND SHOULD NOT BE USED WITHOUT WRITTEN PERMISSION				

9 8 7 6 5 4 3 2 1

2-UP ASSEMBLY PART NUMBER

7 5 4 9 2 - 2 0 A B

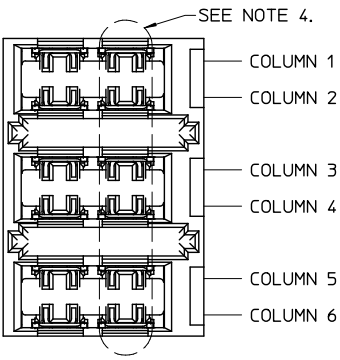
- MATTE TIN (FORMERLY TIN/LEAD) PLATED PRODUCT -
FOR EACH ROW LOCATION A, B:
4 = 4.5 mm
6 = 6.0 mm
7 = 7.5 mm
- MATTE TIN PLATED PRODUCT -
FOR EACH ROW LOCATION A, B:
2 = 4.5 mm
3 = 6.0 mm
5 = 7.5 mm



SEE SHEET 1 FOR ADDITIONAL INFORMATION
CHECK WITH PRODUCT MANAGER FOR AVAILABILITY

SEE SHEET 1 EC NO: UCP2013-2305 DRAWN BY: DRWINHIPPLE CHKD BY: CHKCHMOLLE APPR: SMILLER 2012/12/07 2012/12/07 2012/12/17	QUALITY SYMBOLS ∇=0 ∇=0 ∇=0	GENERAL TOLERANCES (UNLESS SPECIFIED)		DIMENSION STYLE MM ONLY		SCALE 4:1	DESIGN UNITS METRIC	THIRD ANGLE PROJECTION
		4 PLACES ± --- ± --- 3 PLACES ± --- ± --- 2 PLACES ± 0.13 ± --- 1 PLACE ± 0.25 ± --- 0 PLACE ± ±	mm INCH	DRAWN BY: ELO CHECKED BY: ELO APPROVED BY: JB INGHAM DATE: 2005/07/01 DATE: 2005/07/01 DATE: 2010/09/20	TITLE GBX 2 PAIR BACKPLANE POWER SALES ASSEMBLY molex DOCUMENT NO. SD-75492-001 SHEET NO. 2 OF 4			
D REV	DESCRIPTION ANGULAR ± 5° DRAFT WHERE APPLICABLE MUST REMAIN WITHIN DIMENSIONS	MATERIAL NO. SEE CHART		THIS DRAWING CONTAINS INFORMATION THAT IS PROPRIETARY TO MOLEX INCORPORATED AND SHOULD NOT BE USED WITHOUT WRITTEN PERMISSION				

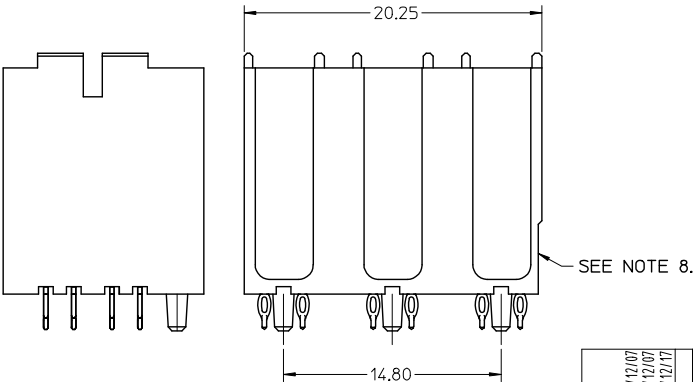
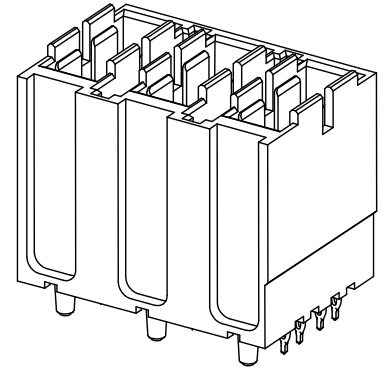
10 | 9 | 8 | 7 | 6 | 5 | 4 | 3 | 2 | 1



3-UP ASSEMBLY PART NUMBER

7 5 4 9 2 - 3 0 A B

- MATTE TIN (FORMERLY TIN/LEAD) PLATED PRODUCT -
FOR EACH ROW LOCATION A, B:
4 = 4.5 mm
6 = 6.0 mm
7 = 7.5 mm
- MATTE TIN PLATED PRODUCT -
FOR EACH ROW LOCATION A, B:
2 = 4.5 mm
3 = 6.0 mm
5 = 7.5 mm



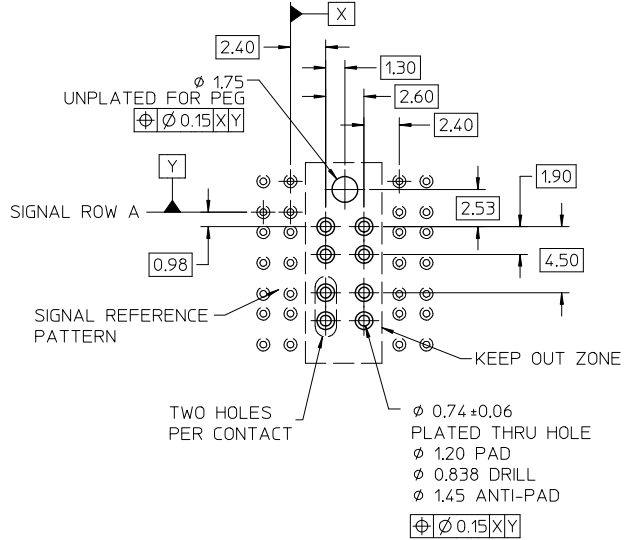
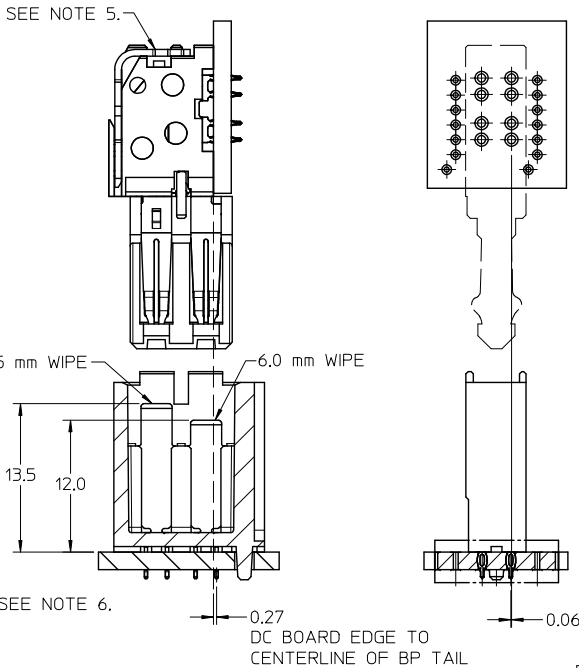
SEE SHEET 1 FOR ADDITIONAL INFORMATION
CHECK WITH PRODUCT MANAGER FOR AVAILABILITY

SEE SHEET 1 EC NO: UCP2013-2305 DRAWN BY: DRWINHUPPLE 2012/12/07 CHECKED BY: CHUCKWOLFE 2012/12/07 APPROVED BY: APPR:SMILLER 2012/12/17 REV: D	QUALITY SYMBOLS	GENERAL TOLERANCES (UNLESS SPECIFIED)	DIMENSION STYLE MM ONLY	SCALE 4:1	DESIGN UNITS METRIC	THIRD ANGLE PROJECTION
	▽=0	4 PLACES ± --- ± ---	DRAWN BY: ELO DATE: 2005/07/01	TITLE: GBX 2 PAIR BACKPLANE POWER SALES ASSEMBLY molex DOCUMENT NO: SD-75492-001 SHEET NO: 3 OF 4		
	▽=0	3 PLACES ± --- ± ---	CHECKED BY: ELO DATE: 2005/07/01			
	▽=0	2 PLACES ± 0.13 ± ---	APPROVED BY: J.BINGHAM DATE: 2010/09/20			
▽=0	1 PLACE ± 0.25 ± ---	MATERIAL NO: SEE CHART				
	0 PLACE ± ±	ANGULAR ± 5° DRAFT WHERE APPLICABLE MUST REMAIN WITHIN DIMENSIONS	SIZE: B	THIS DRAWING CONTAINS INFORMATION THAT IS PROPRIETARY TO MOLEX INCORPORATED AND SHOULD NOT BE USED WITHOUT WRITTEN PERMISSION		

9 | 8 | 7 | 6 | 5 | 4 | 3 | 2 | 1

HOLE PATTERN FOR 1-UP ASSEMBLY

- 1.) ADD 7.40 FROM CENTERLINES OF PEG FOR MULTIPLE UP ASSEMBLIES
- 2.) USE 5.55 FROM CENTERLINE TO CENTERLINE OF PEG FOR INDIVIDUAL POWER MODULES STACKED NEXT TO EACH OTHER.



SEE SHEET 1 EC NO: UC2013-2305 DRAWN BY: 2012/12/07 CHYKIMOLLE APPROVED BY: 2012/12/17 APPRSMILLER	QUALITY SYMBOLS	GENERAL TOLERANCES (UNLESS SPECIFIED)		DIMENSION STYLE		SCALE	DESIGN UNITS	THIRD ANGLE PROJECTION
	$\nabla = 0$ $\nabla = 0$ $\nabla = 0$	mm	INCH	MM ONLY		4:1	METRIC	
	4 PLACES	± ---	± ---	DRAWN BY	DATE	TITLE GBX 2 PAIR BACKPLANE POWER SALES ASSEMBLY molex		
	3 PLACES	± ---	± ---	ELO	2005/07/01			
	2 PLACES	± 0.13	± ---	CHECKED BY	DATE	DOCUMENT NO. SD-75492-001 SHEET NO. 4 OF 4		
	1 PLACE	± 0.25	± ---	ELO	2005/07/01			
	0 PLACE	±	±	APPROVED BY	DATE	THIS DRAWING CONTAINS INFORMATION THAT IS PROPRIETARY TO MOLEX INCORPORATED AND SHOULD NOT BE USED WITHOUT WRITTEN PERMISSION		
				JB INGHAM	2010/09/20			
		ANGULAR ± 5°		MATERIAL NO.				
		DRAFT WHERE APPLICABLE MUST REMAIN WITHIN DIMENSIONS		SIZE	SEE CHART			