

Excellent Integrated System Limited

Stocking Distributor

Click to view price, real time Inventory, Delivery & Lifecycle Information:

[Molex Connector Corporation](#)
[0755425000](#)

For any questions, you can email us directly:

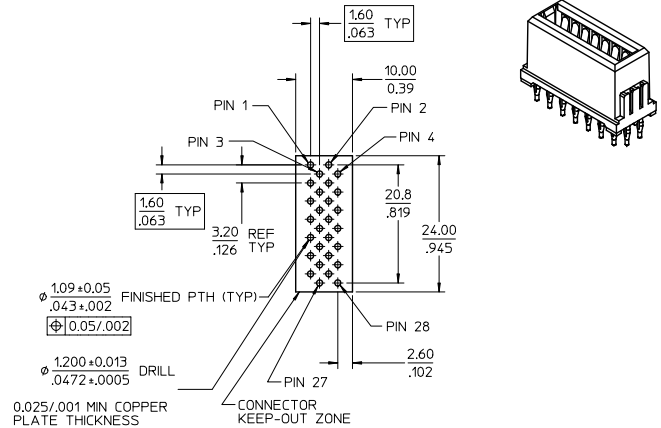
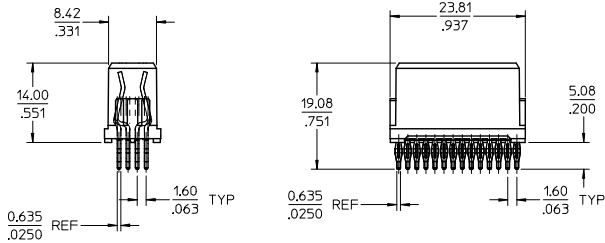
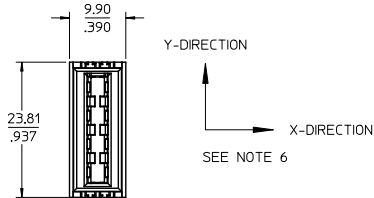
sales@integrated-circuit.com

PART NUMBER	PLATING
75542-5000	30μ INCH MIN SELECT HARD GOLD IN CONTACT AREA WITH 100μ INCH MIN SELECT TIN IN TAIL AREA OVER 50μ INCH MIN NICKEL OVERALL

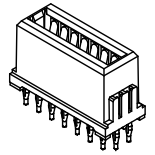
(A8)

NOTES:

- MATERIALS:
- HOUSING: 30% GLASS FILLED, LCP 94V-0, COLOR: BLACK
- TERMINALS: COPPER ALLOY
PLATING: PER ES-88 - SEE CHART
LUBRICATION: EB1 IN CONTACT AREA
- SEE CHART FOR REFERENCE DOCUMENTS
- RECEPTACLE MATES WITH PLUG ASSEMBLIES: 75556-5*** & 75556-15***
- AVERAGE INSERTION FORCE INTO PCB IS 8.2 Kg/18 LBS PER TAIL
- MODULE ASSEMBLY IS RoHS COMPLIANT
- GATHERABILITY: $\pm 0.65/.026$ X-DIRECTION
 $\pm 1.30/.051$ Y-DIRECTION
- TERMINAL RETENTION INTO HOUSING .45Kg/1.0 LB



PCB LAYOUT
3.18/.125 MIN THICK



REFERENCE DOCUMENTS

PS-75431-999	PRODUCT SPECIFICATION: PERFORMANCE AND RATINGS
SD-75541-***	FINAL ASSEMBLY CONFIGURATION DRAWING
AS-75541-100	APPLICATION SPECIFICATION

REMOVE PART NUMBER EC NO: UCP2014-0650 DRAWN BY: DRW:RABINDRA 2013/08/15 CHKD: APPR: A.PATEL 2013/09/05	QUALITY SYMBOLS	GENERAL TOLERANCES (UNLESS SPECIFIED)	DIMENSION STYLE	SCALE	DESIGN UNITS	THIRD ANGLE PROJECTION
	▽=0	4 PLACES ± --- ± --- 3 PLACES ± --- ± .008 2 PLACES ± 0.20 ± .013 1 PLACE ± 0.33 ± --- ANGULAR ± 1/2°	mm INCH	MM/IN	2:1	METRIC
A8	▽=0	DRAFT WHERE APPLICABLE MUST REMAIN WITHIN DIMENSIONS	DRAWN BY: ADRATNOL CHECKED BY: MDATA	DATE: 2005/04/19	DATE: 2005/04/19	DATE: 2009/12/17
	▽=0	SEE CHART	MATERIAL NO.	DOCUMENT NO.	TITLE: POWERMASS 150 AMP MODULE RECEPTACLE	
			SIZE: C	THIS DRAWING CONTAINS INFORMATION THAT IS PROPRIETARY TO MOLEX INCORPORATED AND SHOULD NOT BE USED WITHOUT WRITTEN PERMISSION		SHEET NO. 1 OF 1