

Excellent Integrated System Limited

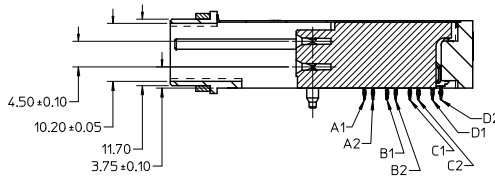
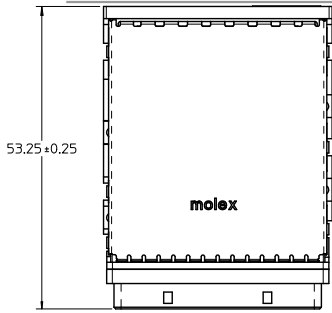
Stocking Distributor

Click to view price, real time Inventory, Delivery & Lifecycle Information:

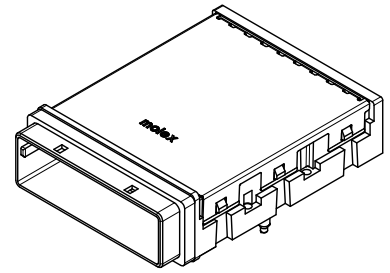
[Molex Connector Corporation](#)
[0755810001](#)

For any questions, you can email us directly:

sales@integrated-circuit.com

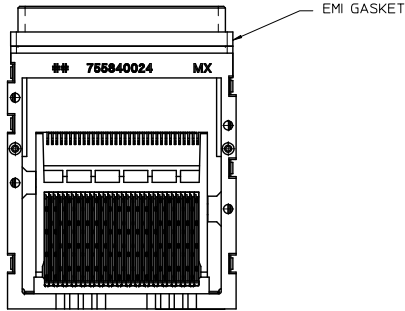
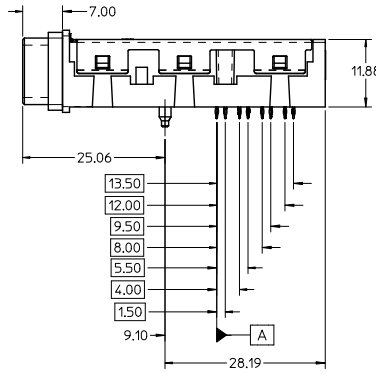
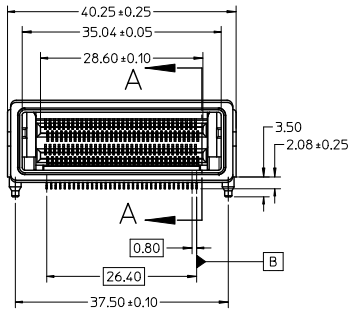


SECTION A-A



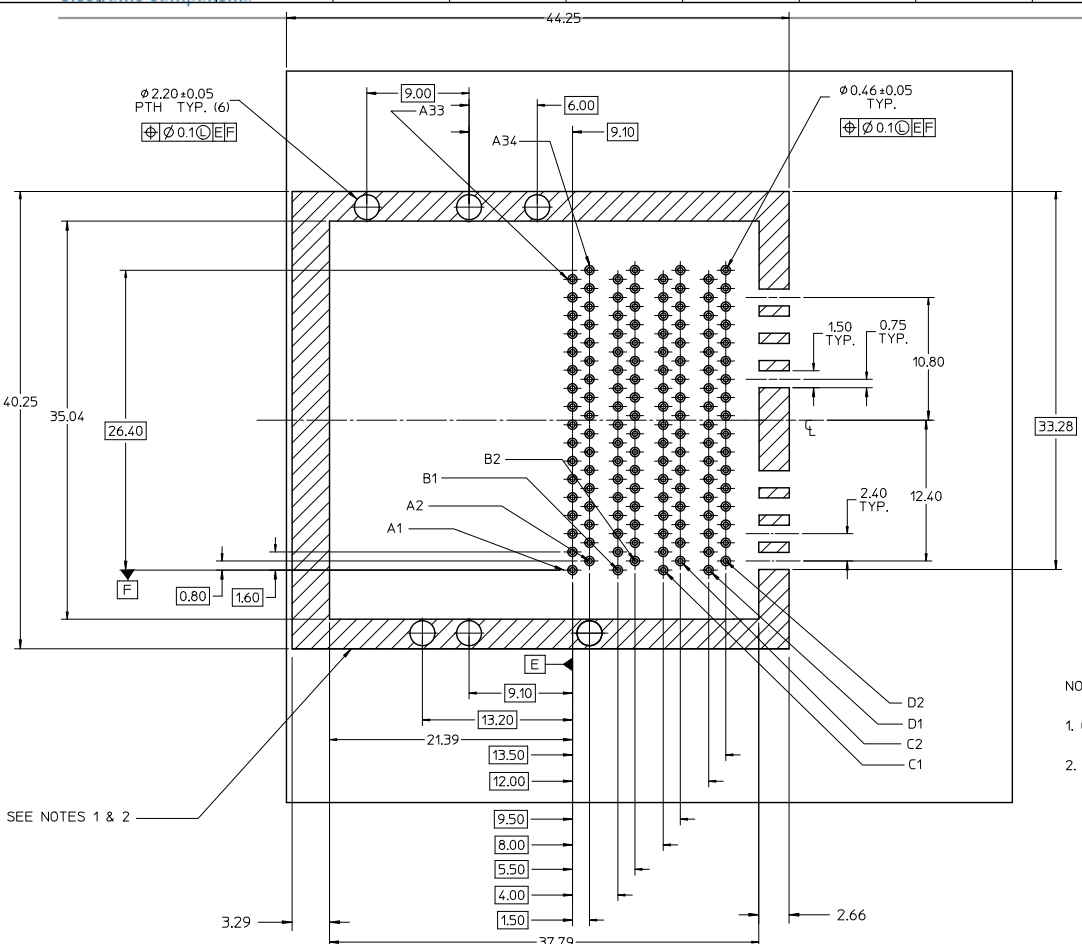
NOTES :

- MATERIALS :
CONNECTOR HOUSING - HIGH TEMP THERMOPLASTIC, GLASS FILLED, UL94V-0
EMI HOUSING - NICKEL PLATED DIE CAST ALLOY
COVER - STAINLESS STEEL ALLOY
EMI GASKET - CONDUCTIVE POLYMER
- PLATING OPTIONS :
(A) CONTACT AREA - 0.38µm MIN GOLD OVER 2.54 µm MIN NICKEL
(B) CONTACT AREA - 0.76µm MIN GOLD OVER 2.54 µm MIN NICKEL
(C) COMPLIANT TAIL AREA - 0.76 - 1.52 µm TIN/LEAD (90/10) OVER 1.27 µm MIN NICKEL.
(D) COMPLIANT TAIL AREA - 0.76 - 1.52 µm TIN (90/10) OVER 1.27 µm MIN NICKEL.
- PRODUCT SPECIFICATION : PS-75586-001
- THIS CONNECTOR IS DESIGNED TO MATE WITH MOLEX CABLE SERIES 74546.
- PACKAGING SPECIFICATION : TRAY PACK PER PK-75581-001
- MOUNTING HARDWARE REQ'D : M2x8mm CAP SCREWS (4)



PART NUMBER	CONTACT PLATING	COMPLIANT PLATING
75581-0001	A - 0.38µm GOLD	C - 0.76-1.52µm SnPb
75581-0002	B - 0.76µm GOLD	C - 0.76-1.52µm SnPb
75581-0008	A - 0.38µm GOLD	D - 0.76-1.52µm Sn
75581-0009	B - 0.76µm GOLD	D - 0.76-1.52µm Sn

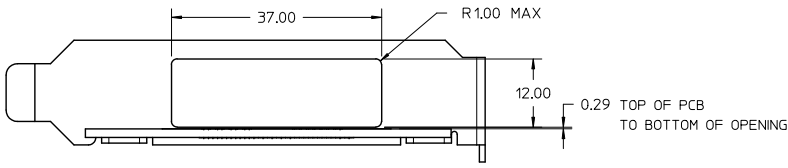
#0.25 WAS ±0.13 EC NO: UCP-2011-3507 DRW: KLANG 2011/04/26 CHK: APPR: MBANKI/S 2011/07/06 DESCRIPTION REV	QUALITY SYMBOLS	GENERAL TOLERANCES (UNLESS SPECIFIED)	DIMENSION STYLE	SCALE	DESIGN UNITS	THIRD ANGLE PROJECTION															
	$\nabla = 0$ $\nabla = 0$	<table border="1"> <thead> <tr> <th></th> <th>mm</th> <th>INCH</th> </tr> </thead> <tbody> <tr> <td>4 PLACES</td> <td>± ---</td> <td>± ---</td> </tr> <tr> <td>3 PLACES</td> <td>± ---</td> <td>± ---</td> </tr> <tr> <td>2 PLACES</td> <td>± 0.13</td> <td>± ---</td> </tr> <tr> <td>1 PLACE</td> <td>± 0.25</td> <td>± ---</td> </tr> </tbody> </table>		mm	INCH	4 PLACES	± ---	± ---	3 PLACES	± ---	± ---	2 PLACES	± 0.13	± ---	1 PLACE	± 0.25	± ---	MM ONLY	2:1	METRIC	
		mm	INCH																		
	4 PLACES	± ---	± ---																		
3 PLACES	± ---	± ---																			
2 PLACES	± 0.13	± ---																			
1 PLACE	± 0.25	± ---																			
DRAFT WHERE APPLICABLE MUST REMAIN WITHIN DIMENSIONS	DRAWN BY: KREGNIER CHECKED BY: DATE: 10/21/04 APPROVED BY: RNELSON DATE: 10/28/04 MATERIAL NO. SEE CHART DOCUMENT NO. SD-75581-001	TITLE: 16X PCIE I-PASS CONNECTOR FAMILY 0.80 MM PITCH I/O MOLEX INCORPORATED	SHEET NO. 1 OF 3																		



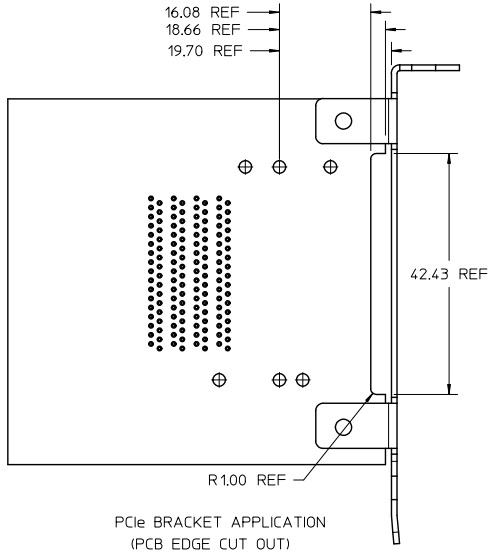
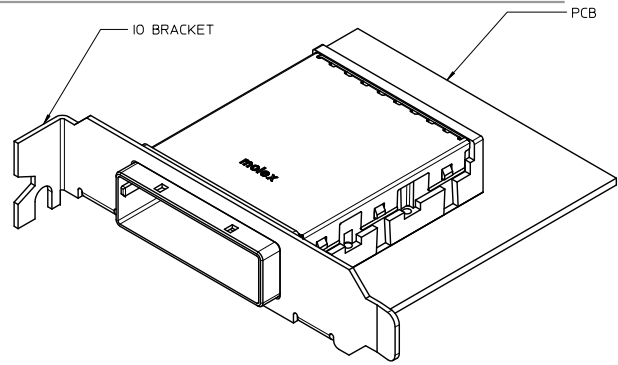
- NOTES :
- CROSS HATCHED AREA TO BE CONDUCTIVE ON THE PCB.
 - CROSS HATCHED AREA MUST BE INCORPORATED IN THE FLAT ROCK PRESS-FIT TOOLING.

RECOMMENDED PCB LAYOUT : COMPONENT SIDE SHOWN
PCB THICKNESS : 1.35mm MIN.

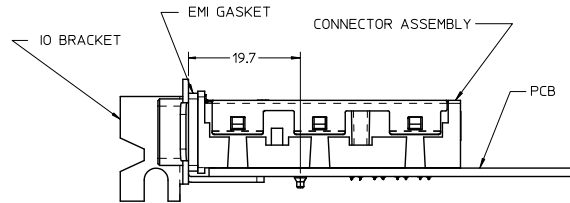
SEE SHEET 1 EC NO: UCP2011-3307 DRAWN BY: DRWIKLANG 2011/04/28 CHKD: APPR: HBAKUS 2011/07/06 H1	QUALITY SYMBOLS	GENERAL TOLERANCES (UNLESS SPECIFIED)	DIMENSION STYLE	SCALE	DESIGN UNITS	THIRD ANGLE PROJECTION
	$\nabla = 0$ $\nabla = 0$	mm INCH 4 PLACES ± --- ± --- 3 PLACES ± --- ± --- 2 PLACES ± 0.13 ± --- 1 PLACE ± 0.25 ± --- ANGULAR ± 1/2°	MM ONLY	4:1	METRIC	TITLE: 16X PCIe I-PASS CONNECTOR FAMILY 0.80 MM PITCH I/O MOLEX INCORPORATED
		DRAFT WHERE APPLICABLE MUST REMAIN WITHIN DIMENSIONS	DRAWN BY: KREGNIER DATE: 10/21/04 CHECKED BY: DATE: APPROVED BY: RNELSON DATE: 10/28/04			MATERIAL NO.: DOCUMENT NO.: SD-75581-001 SHEET NO.: 2 OF 3
			SEE CHART			THIS DRAWING CONTAINS INFORMATION THAT IS PROPRIETARY TO MOLEX INCORPORATED AND SHOULD NOT BE USED WITHOUT WRITTEN PERMISSION



IO BRACKET CUT-OUT
(NOT SUPPLIED)



PCle BRACKET APPLICATION
(PCB EDGE CUT OUT)



ASSEMBLED VIEW

SEE SHEET 1 EC NO: UCP2011-3307 DRAWN/KLW 2011/04/26 CHKD: APPR:MBANKS 2011/07/06 H1 REV	QUALITY SYMBOLS ▽=0 ▽=0	GENERAL TOLERANCES (UNLESS SPECIFIED) mm INCH 4 PLACES ± --- ± --- 3 PLACES ± --- ± --- 2 PLACES ± 0.13 ± --- 1 PLACE ± 0.25 ± --- ANGULAR ± 1/2°	DIMENSION STYLE MM ONLY DRAWN BY DATE KREGNIER 10/21/04 CHECKED BY DATE	SCALE 2:1 DESIGN UNITS METRIC THIRD ANGLE PROJECTION	TITLE 16X PCIE I-PASS CONNECTOR FAMILY 0.80 MM PITCH I/O MOLEX INCORPORATED	MATERIAL NO. SEE CHART DOCUMENT NO. SD-75581-001 SHEET NO. 3 OF 3
	DRAFT WHERE APPLICABLE MUST REMAIN WITHIN DIMENSIONS					
	SIZE C THIS DRAWING CONTAINS INFORMATION THAT IS PROPRIETARY TO MOLEX INCORPORATED AND SHOULD NOT BE USED WITHOUT WRITTEN PERMISSION					
	THIS DRAWING CONTAINS INFORMATION THAT IS PROPRIETARY TO MOLEX INCORPORATED AND SHOULD NOT BE USED WITHOUT WRITTEN PERMISSION					