

## Excellent Integrated System Limited

Stocking Distributor

Click to view price, real time Inventory, Delivery & Lifecycle Information:

[Molex Connector Corporation](#)  
[0757051634](#)

For any questions, you can email us directly:  
[sales@integrated-circuit.com](mailto:sales@integrated-circuit.com)

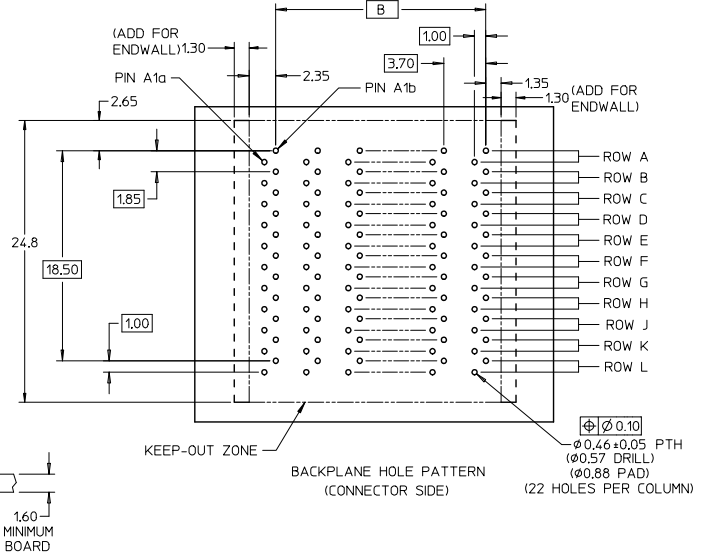
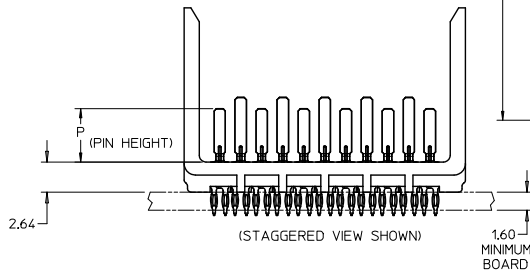
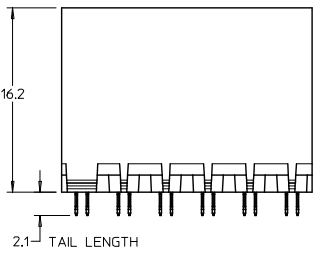
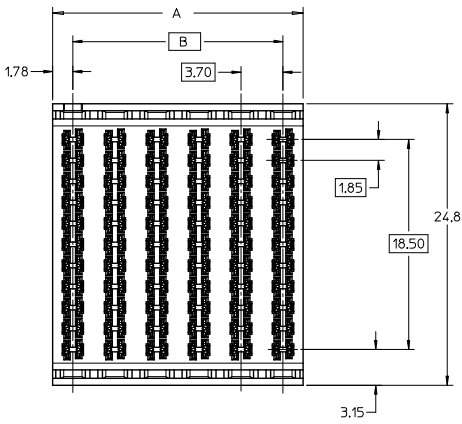
75705-\*\*\*\*

MODULE TYPE -- TAIL PLATING TYPE  
 UNGUIDED -- TIN ONLY = 0 (PREVIOUSLY TIN/LEAD)  
 UNGUIDED -- TIN ONLY = 1

PIN LENGTH (P)  
 2 = 3.90 - 30 GOLD  
 3 = 4.70 - 30 GOLD  
 4 = 5.70 - 30 GOLD  
 5 = 4.70 & 5.70 -30 GOLD STAGGERED  
 6 = 3.90 - 10 GOLD  
 7 = 4.70 - 10 GOLD  
 8 = 5.70 - 10 GOLD  
 9 = 4.70 & 5.70 - 10 GOLD STAGGERED

END WALL OPTIONS  
 0 = OPEN ENDS  
 1 = LEFT END WALL  
 2 = DUAL END WALL  
 3 = RIGHT END WALL

# OF COLUMNS  
 5 = 5 COL  
 6 = 6 COL  
 8 = 8 COL  
 1 = 10 COL



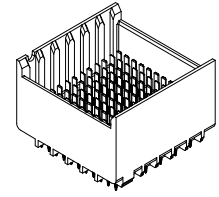
NOTES:

1. MATERIALS: HOUSING - LIQUID CRYSTAL POLYMER (LCP) GLASS-FILLED, UL94V-0  
 TERMINALS - HIGH PERFORMANCE COPPER ALLOY
2. FINISH: 10 MICRONS MINIMUM GOLD OR 30 MICRONS MINIMUM GOLD IN CONTACT AREA. SELECTIVE MATTE TIN ON PCB TAILS, NICKEL OVERALL.
3. REFER TO MOLEX PRODUCT SPECIFICATION PS-75710-999 FOR PERFORMANCE SPECIFICATIONS.
4. FOR MIXED CONTACT MATING LENGTHS, CONSULT MOLEX FOR AVAILABILITY.
5. THIS PART CONFORMS TO CLASS B REQUIREMENTS OF MOLEX COSMETIC SPEC PS-45499-002.
6. PACKAGE PER: PK-70873-587.
7. REFER TO PCB ROUTING GUIDE FOR ANTIPAD AND ROUTING RECOMMENDATIONS.

LEADFREE CONVERS: EC NO: UCP2015-0698 DRAWN BY: 2012/11/27 CHKD BY: 2012/11/27 APPR: SMILLER 2012/11/27	QUALITY SYMBOLS ▽=0 ▽=0 ▽=0	GENERAL TOLERANCES (UNLESS SPECIFIED)		DIMENSION STYLE		SCALE	DESIGN UNITS	THIRD ANGLE PROJECTION		
				MM ONLY		4:1	METRIC			
		4 PLACES ± --- ± ---		DRAWN BY: JLAURX DATE: 1/28/05		TITLE: I-TRAC BACKPLANE HEADER UNGUIDED ASSEMBLY SALES DRAWING				
		3 PLACES ± --- ± ---		CHECKED BY: DATE: 6/02/06						
2 PLACES ± 0.13 ± ---		APPROVED BY: DATE: 6/02/06		MATERIAL NO.		DOCUMENT NO.		SHEET NO.		
1 PLACE ± 0.25 ± ---		0 PLACE ± ±		SEE TABLE		SD-75705-001		1 OF 4		
ANGULAR ± 1/2°		DRAFT WHERE APPLICABLE MUST REMAIN WITHIN DIMENSIONS								
REV		THIS DRAWING CONTAINS INFORMATION THAT IS PROPRIETARY TO MOLEX INCORPORATED AND SHOULD NOT BE USED WITHOUT WRITTEN PERMISSION								

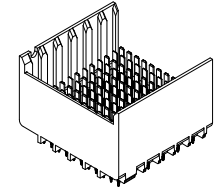
MATERIAL NUMBER	# OF COLUMNS	DIM 'A'	DIM 'B'
75705- <b>*52*</b>	5	21.0	14.80
75705- <b>*62*</b>	6	24.7	18.50
75705- <b>*82*</b>	8	32.1	25.90
75705- <b>*12*</b>	10	39.5	33.30

DUAL END WALL STYLE



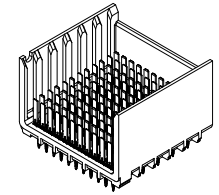
MATERIAL NUMBER	# OF COLUMNS	DIM 'A'	DIM 'B'
75705- <b>*51*</b>	5	19.7	14.80
75705- <b>*61*</b>	6	23.4	18.50
75705- <b>*81*</b>	8	30.8	25.90
75705- <b>*11*</b>	10	38.2	33.30

LEFT END WALL STYLE



MATERIAL NUMBER	# OF COLUMNS	DIM 'A'	DIM 'B'
75705- <b>*53*</b>	5	19.7	14.80
75705- <b>*63*</b>	6	23.4	18.50
75705- <b>*83*</b>	8	30.8	25.90
75705- <b>*13*</b>	10	38.2	33.30

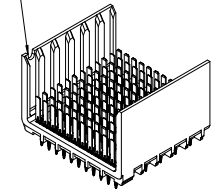
RIGHT END WALL STYLE



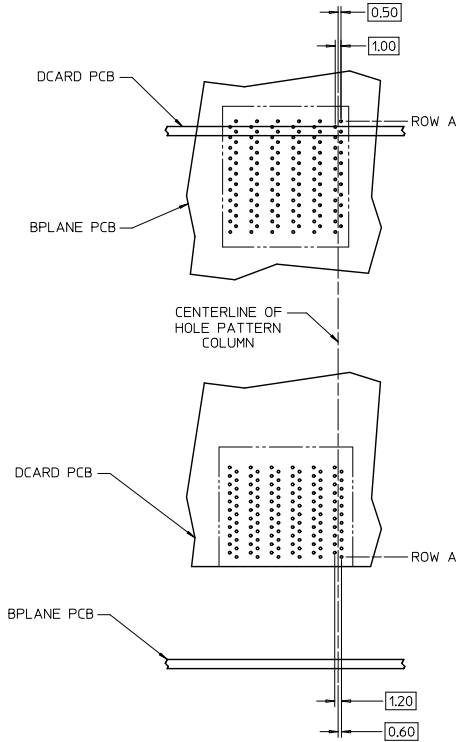
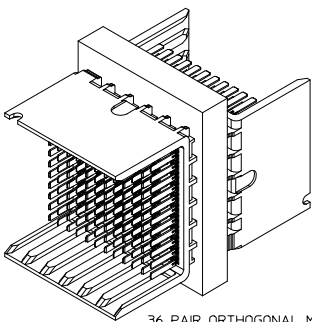
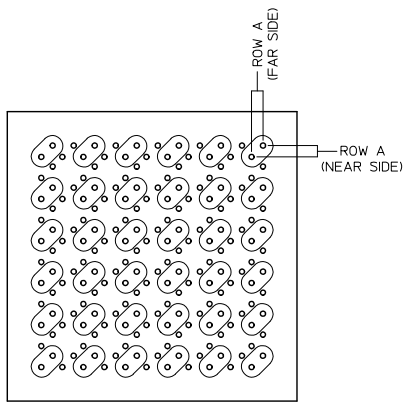
MATERIAL NUMBER	# OF COLUMNS	DIM 'A'	DIM 'B'
75705- <b>*50*</b>	5	18.35	14.80
75705- <b>*60*</b>	6	22.05	18.50
75705- <b>*80*</b>	8	29.45	25.90
75705- <b>*10*</b>	10	36.85	33.30

OPEN STYLE

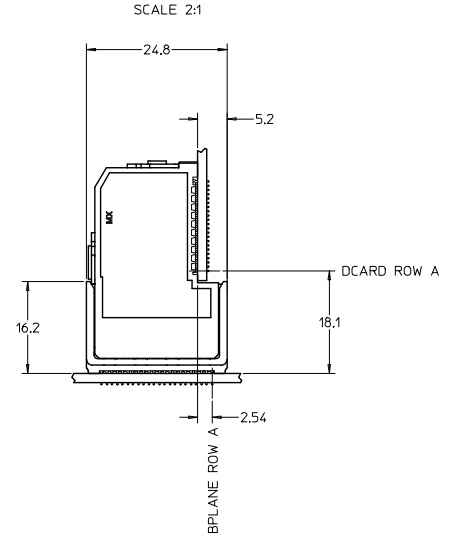
NOTCH DESIGNATES ROW A



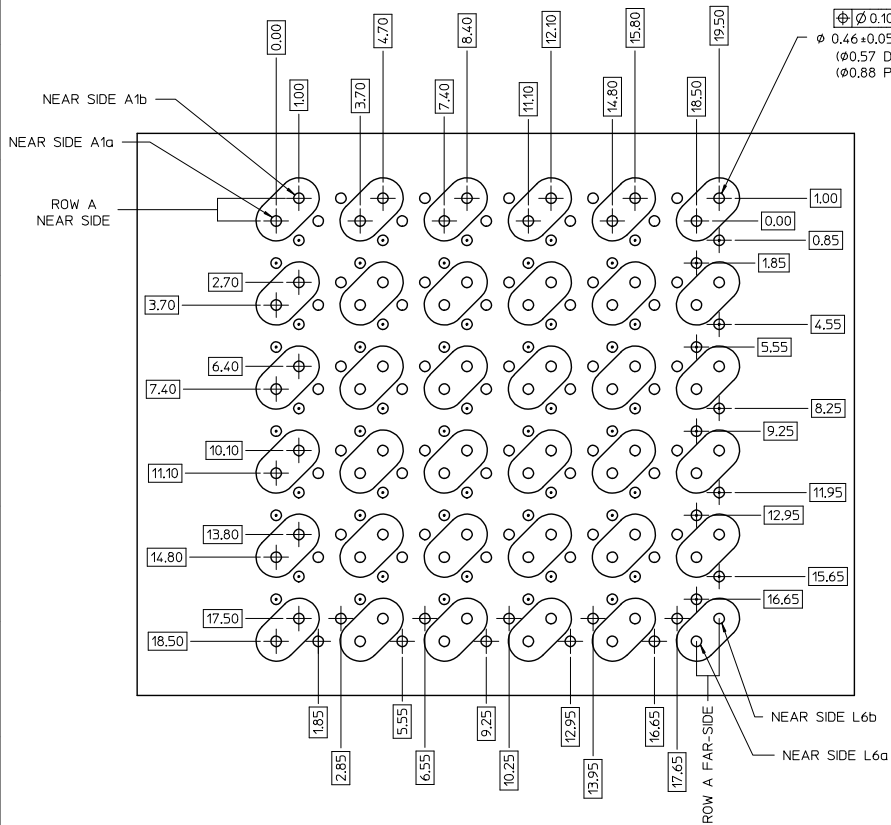
SEE SHEET 1 EC NO: UCP2015-1698 DRAWN BY: 2012/11/22 CHKD: MOJIF 2012/11/22 APPR: SHILLER 2012/11/22	QUALITY SYMBOLS	GENERAL TOLERANCES (UNLESS SPECIFIED)	DIMENSION STYLE	SCALE	DESIGN UNITS	THIRD ANGLE PROJECTION	
	▽=0	mm INCH	MM ONLY	4:1	METRIC		
	▽=0.13	4 PLACES ± --- ± ---	DRAWN BY: JLAURX DATE: 1/28/05	TITLE	I-TRAC BACKPLANE HEADER		
	▽=0.25	3 PLACES ± --- ± ---	CHECKED BY: BPISZCZOR DATE: 6/02/06	UNGUIDED ASSEMBLY			
▽=0	2 PLACES ± 0.13 ± ---	APPROVED BY: CBIXLER DATE: 6/02/06	SALES DRAWING				
▽=0	1 PLACE ± 0.25 ± ---	ANGULAR ± 1/2°	MATERIAL NO.	DOCUMENT NO.	SHEET NO.		
▽=0	0 PLACE ± ±	DRAFT WHERE APPLICABLE MUST REMAIN WITHIN DIMENSIONS	SEE TABLE	SD-75705-001	2 OF 4		
			THIS DRAWING CONTAINS INFORMATION THAT IS PROPRIETARY TO MOLEX INCORPORATED AND SHOULD NOT BE USED WITHOUT WRITTEN PERMISSION				



**I-TRAC 11 ROW  
BOARD RELATIONSHIPS**



SEE SHEET 1 EC NO: UCP2013-1898 DRAWN BY: 2012/11/12 CHKD BY: 2012/11/12 APPR: MILLER 2012/12/11	QUALITY SYMBOLS ∇=0 ∇=0 ∇=0	GENERAL TOLERANCES (UNLESS SPECIFIED)		DIMENSION STYLE		SCALE	DESIGN UNITS	THIRD ANGLE PROJECTION		
				MM ONLY		4:1	METRIC			
		4 PLACES ±	---	---	DRAWN BY	DATE	TITLE			
		3 PLACES ±	---	---	JLAURX	1/28/05	I-TRAC BACKPLANE HEADER UNGUIDED ASSEMBLY SALES DRAWING			
2 PLACES ±	0.13	---	CHECKED BY	DATE	<b>molex</b> DOCUMENT NO. SD-75705-001 SHEET NO. 3 OF 4					
1 PLACE ±	0.25	---	BPISZCZOR	6/02/06						
0 PLACE ±			APPROVED BY	DATE						
			CBI XLER	6/02/06						
		ANGULAR ±1/2°		MATERIAL NO.		DOCUMENT NO.		SHEET NO.		
		DRAFT WHERE APPLICABLE MUST REMAIN WITHIN DIMENSIONS		SEE TABLE		SD-75705-001		3 OF 4		
				THIS DRAWING CONTAINS INFORMATION THAT IS PROPRIETARY TO MOLEX INCORPORATED AND SHOULD NOT BE USED WITHOUT WRITTEN PERMISSION						

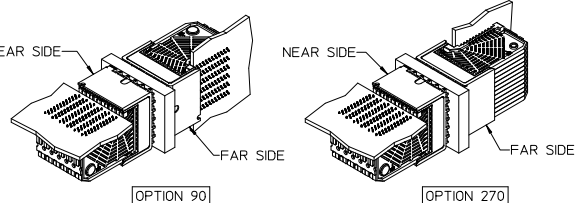


**ORTHO PIN MAPPING**  
OPTION 90 (NEAR SIDE - FAR SIDE)

A1b-L6b	A2b-J6b	A3b-G6b	A4b-E6b	A5b-C6b	A6b-A6b
A1a-L6a	A2a-J6a	A3a-G6a	A4a-E6a	A5a-C6a	A6a-A6a
C1b-L5b	C2b-J5b	C3b-G5b	C4b-E5b	C5b-C5b	C6b-A5b
C1a-L5a	C2a-J5a	C3a-G5a	C4a-E5a	C5a-C5a	C6a-A5a
E1b-L4b	E2b-J4b	E3b-G4b	E4b-E4b	E5b-C4b	E6b-A4b
E1a-L4a	E2a-J4a	E3a-G4a	E4a-E4a	E5a-C4a	E6a-A4a
G1b-L3b	G2b-J3b	G3b-G3b	G4b-E3b	G5b-C3b	G6b-A3b
G1a-L3a	G2a-J3a	G3a-G3a	G4a-E3a	G5a-C3a	G6a-A3a
J1b-L2b	J2b-J2b	J3b-G2b	J4b-E2b	J5b-C2b	J6b-A2b
J1a-L2a	J2a-J2a	J3a-G2a	J4a-E2a	J5a-C2a	J6a-A2a
L1b-L1b	L2b-J1b	L3b-G1b	L4b-E1b	L5b-C1b	L6b-A1b
L1a-L1a	L2a-J1a	L3a-G1a	L4a-E1a	L5a-C1a	L6a-A1a

**ORTHO PIN MAPPING**  
OPTION 270 (NEAR SIDE - FAR SIDE)

A1b-A1a	A2b-C1a	A3b-E1a	A4b-G1a	A5b-J1a	A6b-L1a
A1a-A1b	A2a-C1b	A3a-E1b	A4a-G1b	A5a-J1b	A6a-L1b
C1b-A2a	C2b-C2a	C3b-E2a	C4b-G2a	C5b-J2a	C6b-L2a
C1a-A2b	C2a-C2b	C3a-E2b	C4a-G2b	C5a-J2b	C6a-L2b
E1b-A3a	E2b-C3a	E3b-E3a	E4b-G3a	E5b-J3a	E6b-L3a
E1a-A3b	E2a-C3b	E3a-E3b	E4a-G3b	E5a-J3b	E6a-L3b
G1b-A4a	G2b-C4a	G3b-E4a	G4b-G4a	G5b-J4a	G6b-L4a
G1a-A4b	G2a-C4b	G3a-E4b	G4a-G4b	G5a-J4b	G6a-L4b
J1b-A5a	J2b-C5a	J3b-E5a	J4b-G5a	J5b-J5a	J6b-L5a
J1a-A5b	J2a-C5b	J3a-E5b	J4a-G5b	J5a-J5b	J6a-L5b
L1b-A6a	L2b-C6a	L3b-E6a	L4b-G6a	L5b-J6a	L6b-L6a
L1a-A6b	L2a-C6b	L3a-E6b	L4a-G6b	L5a-J6b	L6a-L6b



- NOTES:
- SIGNAL PAIRS (SHARED VIAS)
  - NEAR SIDE GROUNDS
  - FAR SIDE GROUNDS

Orthogonal PCB Layout

SEE SHEET 1 EC NO: UCP2013-1898 DRAWN BY: 2012/11/12 CHK: KM/MLF APPR: SM/LLR 2012/11/12	QUALITY SYMBOLS ∇=0 ∇=0 ∇=0	GENERAL TOLERANCES (UNLESS SPECIFIED)		DIMENSION STYLE		SCALE	DESIGN UNITS	THIRD ANGLE PROJECTION	
				MM ONLY		4:1	METRIC		
		4 PLACES ± --- ± ---		DRAWN BY: JLAURX DATE: 1/28/05		TITLE: I-TRAC BACKPLANE HEADER UNGUIDED ASSEMBLY SALES DRAWING 			
		3 PLACES ± --- ± ---		CHECKED BY: BPI SZCZOR DATE: 6/02/06					
2 PLACES ± 0.13 ± ---		APPROVED BY: CBIXLER DATE: 6/02/06		MATERIAL NO.		DOCUMENT NO.	SHEET NO.		
1 PLACE ± 0.25 ± ---		ANGULAR ± 1/2°		SEE TABLE		SD-75705-001	4 OF 4		
0 PLACE ± --- ± ---		DRAFT WHERE APPLICABLE MUST REMAIN WITHIN DIMENSIONS		THIS DRAWING CONTAINS INFORMATION THAT IS PROPRIETARY TO MOLEX INCORPORATED AND SHOULD NOT BE USED WITHOUT WRITTEN PERMISSION					