

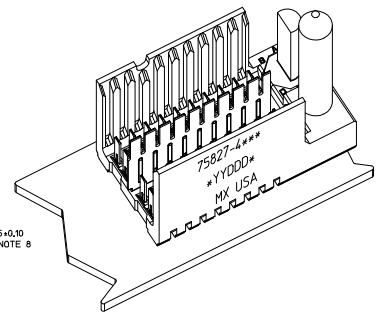
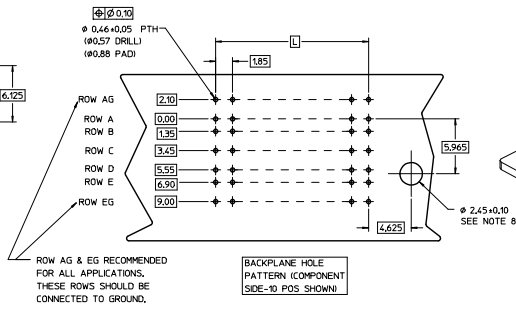
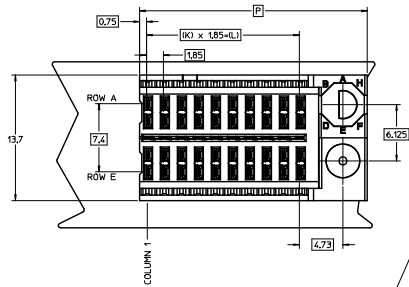
Excellent Integrated System Limited

Stocking Distributor

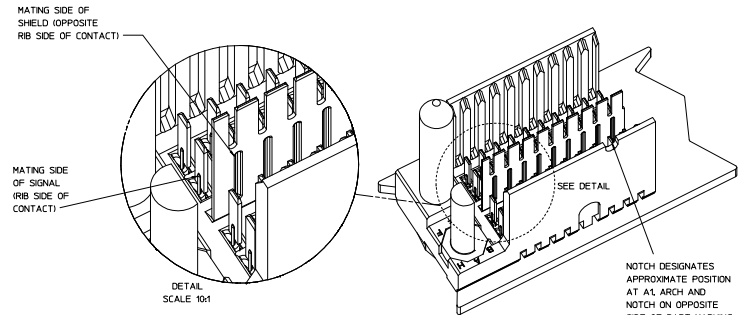
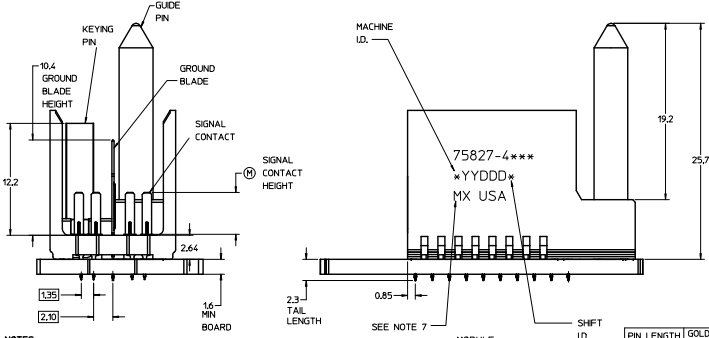
Click to view price, real time Inventory, Delivery & Lifecycle Information:

[Molex Connector Corporation](#)
[0758274203](#)

For any questions, you can email us directly:
sales@integrated-circuit.com



THE PRIMARY CARTON WITH A LABEL STATING "ELV AND RoHS COMPLAINT" IS LEAD FREE. CARTONS WITHOUT THIS LABEL MAY CONTAIN LEAD.



- NOTES:
1. MATERIAL: HOUSING - LIQUID CRYSTAL POLYMER (LCP) GLASS-FILLED, UL 94V-0, COLOR - GRAY, SIGNAL CONTACT AND GROUND BLADE - HIGH PERFORMANCE COPPER ALLOY.
 2. FINISHES: SELECTIVE GOLD (Au) ON CONTACT AREA, SELECTIVE MATTE TIN (Sn) ON PCB TAILS, NICKEL (Ni) OVERALL.
 3. THIS PART CONFORMS TO MOLEX PRODUCT SPECIFICATION PS-75221-999.
 4. FOR MIXED CONTACT MATING LENGTHS CONSULT MOLEX FOR AVAILABILITY. CONTACT PAIRS MUST BE THE SAME LENGTH.
 5. FOR SPECIFIC PART NUMBER AND MATING INFORMATION PLEASE REFER TO CHART.
 6. PACKAGE PER PK-70873-5058.
 7. EITHER MARK PART NUMBER AND DATE CODE APPROXIMATELY WHERE SHOWN OR PLACE A LABEL ON THE TUBE.
 8. OPTIONAL HOLE LOCATION FOR GROUNDED GUIDE PIN OR ADDITIONAL GUIDE PIN SUPPORT, FOR GROUNDED GUIDE HOLE TO BE PLATED, DRILL SIZE #258, PAD SIZE #550.
 9. THESE PARTS CONFORM TO MOLEX COSMETIC SPECIFICATION PS-45499-002 CLASS B.
 10. HAPS (MOLEX ADVANCED PLATING SYSTEM).

PIN LENGTH	GOLD (Au) THICKNESS
DIM "M"	micrometers
0-3.55 mm	0.25 (MAPS)
1-4.55 mm	
2-5.55 mm	
3-5.55 mm	0.76
4-4.55 mm	
5-5.55 mm	
7-3.55 mm	
8-4.55 mm	
9-5.55 mm	1.27

PIN	0	1	2	3	4	5	6	7	8
KEYING PIN ORIENTATION	0	1	2	3	4	5	6	7	8

LEAD-FREE PLATING

KEYING ORIENTATION: 0-NONE, 1-A, 2-B, ETC.

MODULE ORIENTATION: RIGHT - 4

MODULE ORIENTATION: COLUMN 1-10 COL, 2-25 COL

ASSY PART NO.	K	L	P	TOTAL NO. OF DIFFERENTIAL PAIRS
75827-41**	9	16,65	24,78	20
75827-42**	24	44,40	52,53	50

REV TO LEAD-FREE EC NO. ICP2013-905 DRAWINGS: 2012/09/05 CHECKED BY: 2012/09/05 APPROVED BY: 2012/07/05 DATE: 2012/07/05	QUALITY SYMBOLS 4 PLACES ± --- ± --- 3 PLACES ± --- ± --- 2 PLACES ± 0.25 ± --- 1 PLACE ± 0.38 ± --- 0 PLACE ± ± ---	GENERAL TOLERANCES (UNLESS SPECIFIED) mm INCH 4 PLACES ± --- ± --- 3 PLACES ± --- ± --- 2 PLACES ± 0.25 ± --- 1 PLACE ± 0.38 ± --- 0 PLACE ± ± ---	DIMENSION STYLE MM ONLY DRAWN BY: MARTIN DATE: 2005/10/10 CHECKED BY: JMYCZEK DATE: 2005/07/05 APPROVED BY: SREED DATE: 2005/07/05	SCALE: 5:1 DESIGN UNITS: METRIC THIRD ANGLE PROJECTION	TITLE: GBX 2-PAIR, LF RIGHT END BACKPLANE SALES ASSEMBLY MATERIAL NO.: SEE TABLE DOCUMENT NO.: SD-75827-410 SHEET NO.: 1 OF 1
	ANGLE: 45°/120° DRAFT WHERE APPLICABLE MUST REMAIN WITHIN DIMENSIONS				
	SEE TABLE THIS DRAWING CONTAINS INFORMATION THAT IS PROPRIETARY TO MOLEX INCORPORATED AND SHOULD NOT BE USED WITHOUT WRITTEN PERMISSION				
	molex				