

## Excellent Integrated System Limited

Stocking Distributor

Click to view price, real time Inventory, Delivery & Lifecycle Information:

[Molex Connector Corporation](#)  
[0758610104](#)

For any questions, you can email us directly:

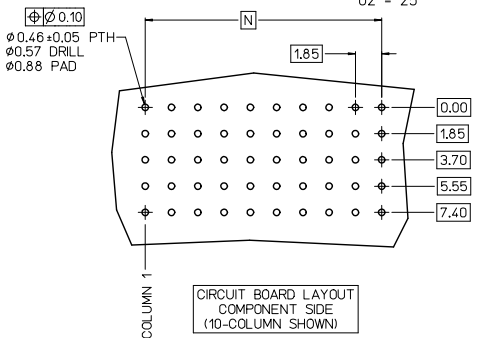
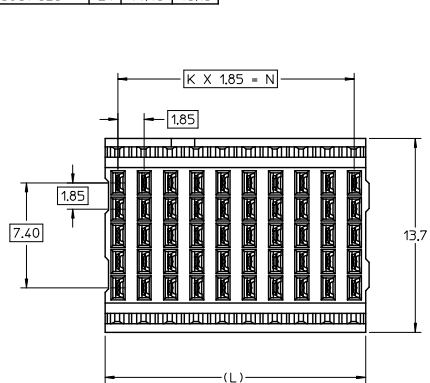
[sales@integrated-circuit.com](mailto:sales@integrated-circuit.com)

CONFIGURATION			
ASSEMBLY NO.	K	N	(L)
75861-050*	4	7.40	9.10
75861-010*	9	16.65	18.35
75861-020*	24	44.40	46.10

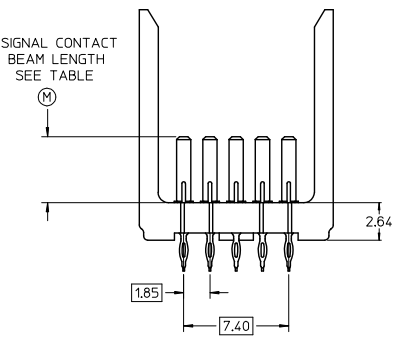
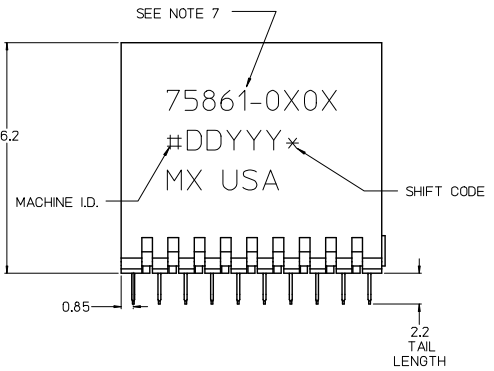
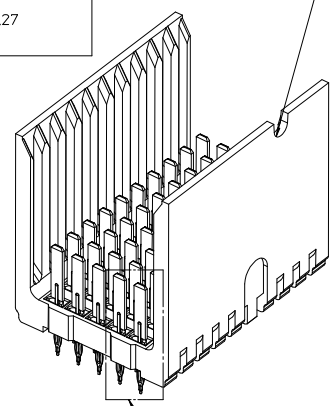
75861-0x0\*  
COLUMN  
05 = 5  
01 = 10  
02 = 25

PIN LENGTH DIM "M"	GOLD (Au) THICKNESS micrometers
0=3.55 mm	0.25 (MAPS)
1=4.55 mm	
2=5.55 mm	
3=3.55 mm	
4=4.55 mm	0.76
5=5.55 mm	
7=3.55 mm	
8=4.55 mm	1.27
9=5.55 mm	

NOTCH DESIGNATES APPROX. POSITION OF A1. ARCH & NOTCH ON OPPOSITE SIDE OF PART MARKING



THE PRIMARY CARTON WITH A LABEL STATING "ELV AND RoHS COMPLAINT" IS LEAD FREE. CARTONS WITHOUT THIS LABEL MAY CONTAIN LEAD.



LEAD-FREE PLATING

MATING SIDE OF SIGNAL (RIB SIDE OF CONTACT)

DETAIL Y SCALE 10:1

- NOTES:
- MATERIAL: HOUSING - LIQUID CRYSTAL POLYMER (LCP), GLASS-FILLED, UL 94V-0, GRAY. SIGNAL CONTACTS - HIGH PERFORMANCE COPPER ALLOY.
  - FINISHES: SELECTIVE GOLD (Au) ON CONTACT AREA, SELECTIVE MATTE TIN (Sn) ON TAIL AREA, NICKEL (Ni) OVERALL.
  - 10-COLUMN ASSEMBLY SHOWN AS REFERENCE. SEE TABLE AND CHART FOR OTHER OPTIONS.
  - PARTS PACKAGED PER PK-70873-5058.
  - THIS PART CONFORMS TO MOLEX PRODUCT SPECIFICATION PS-75221-999.
  - FOR MIXED CONTACT MATING LENGTHS CONSULT MOLEX.
  - EITHER MARK PART NUMBER AND DATE CODE APPROXIMATELY WHERE SHOWN OR PLACE A LABEL ON THE TUBE.
  - MINIMUM CIRCUIT BOARD THICKNESS: 1.6
  - THESE PARTS CONFORM TO MOLEX COSMETIC SPECIFICATION PS-45499-002 CLASS B.
  - MAPS (MOLEX ADVANCED PLATING SYSTEM).

REV. TO LEAD-FREE	REV. NO.	REV. DATE	DESCRIPTION	QUALITY SYMBOLS	GENERAL TOLERANCES (UNLESS SPECIFIED)		DIMENSION STYLE		SCALE	DESIGN UNITS	THIRD ANGLE PROJECTION
					mm	INCH	MM ONLY	INCH ONLY			
4 PLACES	±	---	---		DRAWN BY	DATE	TITLE				
3 PLACES	±	---	---		JB INGHAM	2006/02/03	GBX 2-PAIR L-SERIES LF OPEN END BACKPLANE SALES ASSEMBLY DRAWING				
2 PLACES	±	0.25	---		CHECKED BY	DATE	MOLEX				
1 PLACE	±	0.38	---		KMULVEY	2006/02/03	SD-75861-010				
0 PLACE	±	---	---		APPROVED BY	DATE	MATERIAL NO. DOCUMENT NO. SHEET NO.				
					SMILLER	2012/12/05	SEE CHART SD-75861-010 1 OF 1				
DRAFT WHERE APPLICABLE MUST REMAIN WITHIN DIMENSIONS											
THIS DRAWING CONTAINS INFORMATION THAT IS PROPRIETARY TO MOLEX INCORPORATED AND SHOULD NOT BE USED WITHOUT WRITTEN PERMISSION											