

Excellent Integrated System Limited

Stocking Distributor

Click to view price, real time Inventory, Delivery & Lifecycle Information:

[Molex Connector Corporation](#)
[0759101603](#)

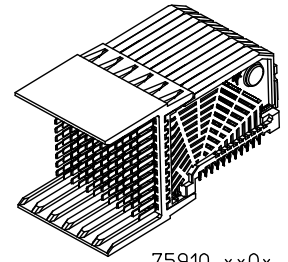
For any questions, you can email us directly:

sales@integrated-circuit.com

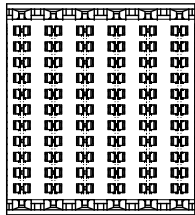
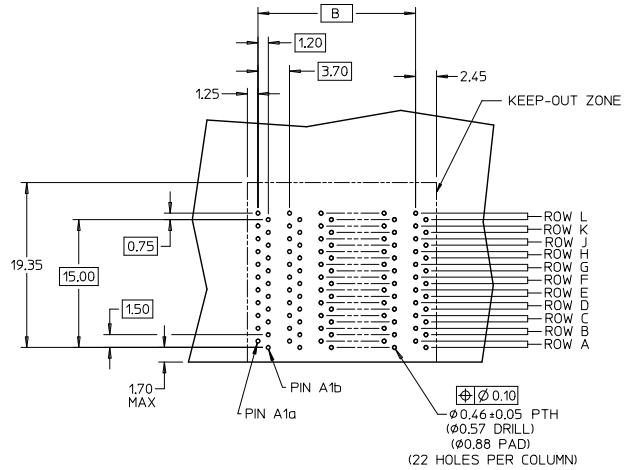
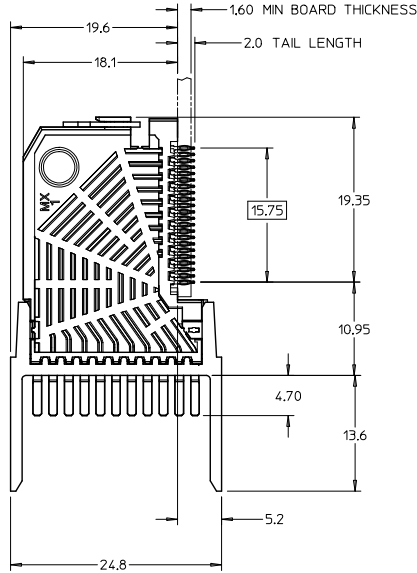
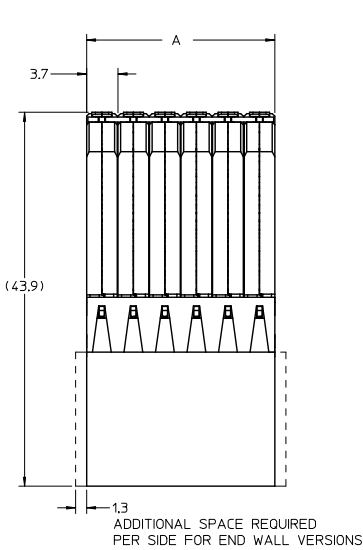
NOTES:

1. MATERIALS: HOUSING - LIQUID CRYSTAL POLYMER (LCP), BLACK, UL94V-0
TERMINALS - HIGH PERFORMANCE COPPER ALLOY.
2. FINISH: SELECTIVE GOLD IN CONTACT AREA,
SELECTIVE MATTE TIN ON PCB TAILS, NICKEL OVERALL.
3. REFER TO MOLEX PRODUCT SPECIFICATION PS-75710-999 FOR
PERFORMANCE SPECIFICATIONS.
4. PACKAGED PER PK-70873-585.
5. THIS PART CONFORMS TO CLASS B REQUIREMENTS OF MOLEX
COSMETIC SPEC PS-45499-002.
6. GUIDED PARTS TO BE SHIPPED WITH 2-32 TYPE AB SELF-TAPPING
SCREW P/N 73726-0000.
7. MAPS (MOLEX ADVANCED PLATING SYSTEM).

MATERIAL NUMBER	# OF COLUMNS	DIM 'A' MAX	DIM 'B'
75910- $\times 5 \times \times$	5	18.50	14.80
75910- $\times 6 \times \times$	6	22.20	18.50
75910- $\times 1 \times \times$	10	37.00	33.30



75910- $\times \times 0 \times$
UNGUIDED,
OPEN ENDED



(75910- $\times \times \times 3$)
(75910- $\times \times \times 7$)

RAM HOLE PATTERN
(CONNECTOR SIDE)

LEAD FREE CONV./MAPS	QUALITY SYMBOLS	GENERAL TOLERANCES (UNLESS SPECIFIED)		DIMENSION STYLE		SCALE	DESIGN UNITS	THIRD ANGLE PROJECTION	
		mm	INCH	MM ONLY	MM ONLY	3:1	METRIC		
EC NO: UCP2015-4121	$\nabla = 0$	4 PLACES	\pm	---	---	DRAWN BY	DATE	TITLE	
DRW:RWHIPPLE 2013/04/09	$\nabla = 0$	3 PLACES	\pm	---	---	JLAURX	2005/9/13	I-TRAC 11 ROW RAM ASS'Y	
CHK:DMOLFE 2013/04/01	$\nabla = 0$	2 PLACES	± 0.13	\pm	---	CHECKED BY	DATE	DIFFERENTIAL LONG NOSE	
APPR:SMILLER 2013/07/15	$\nabla = 0$	1 PLACE	± 0.25	\pm	---	ELO	2006/11/09	UNGUIDED	
		0 PLACE	\pm	\pm	---	APPROVED BY	DATE	molex	
						CBIXLER	2006/11/10	DOCUMENT NO. SD-75910-001	
						ANGULAR $\pm 1/2^\circ$		SHEET NO. 1 OF 3	
		DRAFT WHERE APPLICABLE MUST REMAIN WITHIN DIMENSIONS		SEE CHART		THIS DRAWING CONTAINS INFORMATION THAT IS PROPRIETARY TO MOLEX INCORPORATED AND SHOULD NOT BE USED WITHOUT WRITTEN PERMISSION			

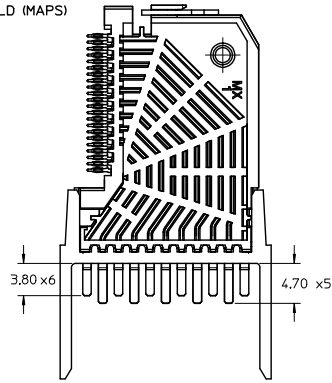
75910-****

MODULE TYPE -- TAIL PLATING TYPE
 0 = UNGUIDED - MATTE TIN (FORMERLY TIN/LEAD)
 1 = UNGUIDED - MATTE TIN

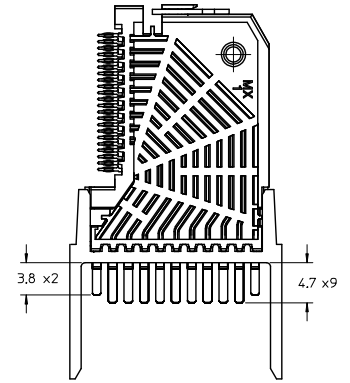
OF COLUMNS
 5 = 5 COL
 6 = 6 COL
 1 = 10 COL

PIN LENGTH/PLATING
 3 = 4.70 30 GOLD
 5 = 6 X 3.80, 5 X 4.70 STAGGERED 30 GOLD
 6 = 2 X 3.80, 9 X 4.70 STAGGERED 30 GOLD
 7 = 4.70 10 GOLD (MAPS)
 8 = 6 X 3.80, 5 X 4.70 STAGGERED 10 GOLD (MAPS)
 9 = 2 X 3.80, 9 X 4.70 STAGGERED 10 GOLD (MAPS)

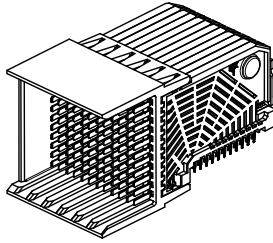
HOUSING STYLE
 0 = OPEN ENDED
 1 = LEFT-END WALL
 2 = RIGHT-END WALL
 3 = DUAL-END WALL



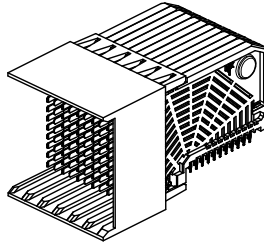
STAGGERED PIN OPTION
 (75910-***5)
 (75910-***8)



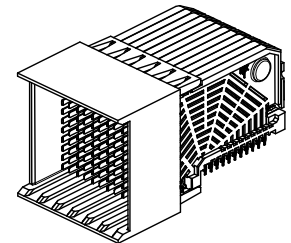
STAGGERED PIN OPTION
 (75910-***6)
 (75910-***9)



75910-***1*
 LEFT-END WALL



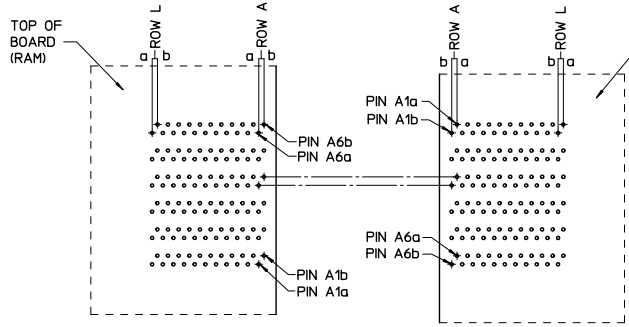
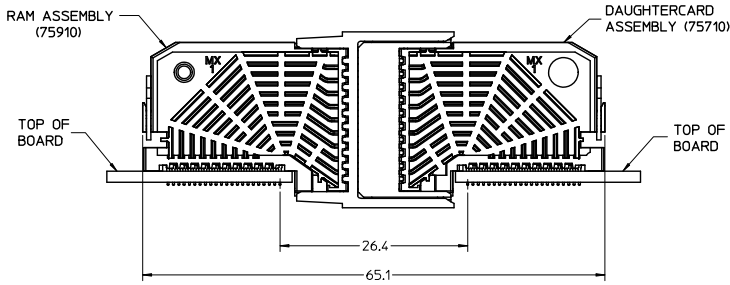
75910-***2*
 RIGHT-END WALL



75910-***3*
 DUAL-END WALL

SEE SHEET 1 EC NO: UCPE2013-4121 DRAWN BY: JLAURX 2013/04/01 CHECKED BY: ELO 2013/04/01 APPROVED BY: CBIXLER 2013/07/15	QUALITY SYMBOLS	GENERAL TOLERANCES (UNLESS SPECIFIED)	DIMENSION STYLE	SCALE	DESIGN UNITS	THIRD ANGLE PROJECTION
	▽=0	mm INCH	MM ONLY	3:1	METRIC	☉
	▽=0	4 PLACES ± --- ± ---	DRAWN BY DATE	TITLE I-TRAC 11 ROW RAM ASS'Y DIFFERENTIAL LONG NOSE UNGUIDED molex		
	▽=0	3 PLACES ± --- ± ---	JLAURX 2005/9/13			
REV	DESCRIPTION	1 PLACE ± 0.13 ± ---	CHECKED BY DATE	DOCUMENT NO. SD-75910-001 SHEET NO. 2 OF 3		
		2 PLACES ± 0.25 ± ---	ELO 2006/11/09			
		0 PLACE ± ±	APPROVED BY DATE	THIS DRAWING CONTAINS INFORMATION THAT IS PROPRIETARY TO MOLEX INCORPORATED AND SHOULD NOT BE USED WITHOUT WRITTEN PERMISSION		
		ANGULAR ±1/2°	CBIXLER 2006/11/10			
		DRAFT WHERE APPLICABLE MUST REMAIN WITHIN DIMENSIONS	MATERIAL NO.	SEE CHART SIZE C		

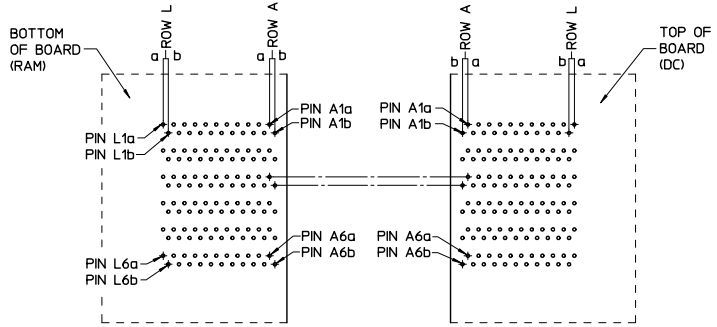
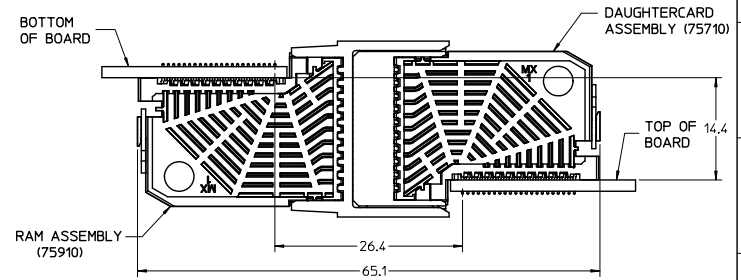
COPLANAR APPLICATION



COPLANAR MATED SIGNAL PATHS

RAM PIN A6b	DC PIN A1a
RAM PIN A6a	DC PIN A1b
.....
RAM PIN A1b	DC PIN A6a
RAM PIN A1a	DC PIN A6b

INVERTED APPLICATION



INVERTED MATED SIGNAL PATHS

RAM PIN L1a	DC PIN A1a
RAM PIN L1b	DC PIN A1b
.....
RAM PIN L6a	DC PIN A6a
RAM PIN L6b	DC PIN A6b

SEE SHEET 1 EC NO: UCP2013-4/21 DRAWN BY: JLAURX CHECKED BY: ELO APPROVED BY: CBIXLER DATE: 2013/04/01 DATE: 2006/11/09 DATE: 2006/11/10	QUALITY SYMBOLS ∇=0 ∇=0 ∇=0	GENERAL TOLERANCES (UNLESS SPECIFIED) mm INCH 4 PLACES ± --- ± --- 3 PLACES ± --- ± --- 2 PLACES ± 0.13 ± --- 1 PLACE ± 0.25 ± --- 0 PLACE ± ±	DIMENSION STYLE MM ONLY DRAWN BY: JLAURX DATE: 2005/9/13 CHECKED BY: ELO DATE: 2006/11/09 APPROVED BY: CBIXLER DATE: 2006/11/10	SCALE: 2:1 DESIGN UNITS: METRIC THIRD ANGLE PROJECTION	TITLE: I-TRAC 11 ROW RAM ASS'Y DIFFERENTIAL LONG NOSE UNGUIDED molex MATERIAL NO. SD-75910-001 DOCUMENT NO.	SHEET NO. 3 OF 3	
		ANGULAR ± 1/2° DRAFT WHERE APPLICABLE MUST REMAIN WITHIN DIMENSIONS	SEE CHART SIZE C	THIS DRAWING CONTAINS INFORMATION THAT IS PROPRIETARY TO MOLEX INCORPORATED AND SHOULD NOT BE USED WITHOUT WRITTEN PERMISSION			