

Excellent Integrated System Limited

Stocking Distributor

Click to view price, real time Inventory, Delivery & Lifecycle Information:

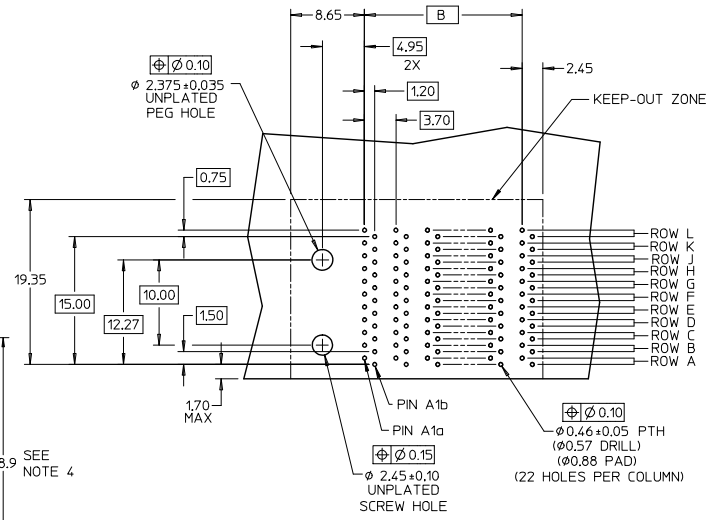
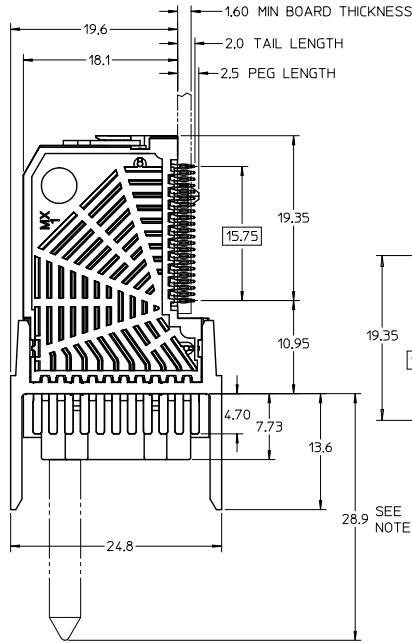
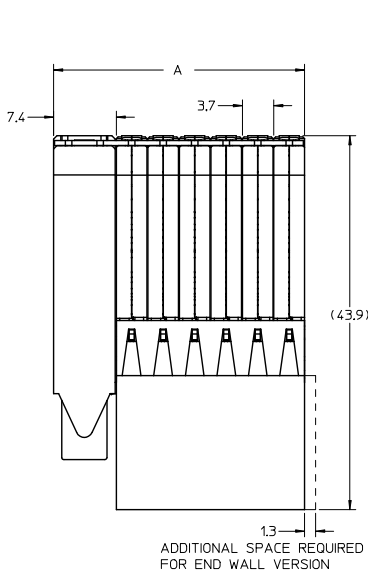
[Molex Connector Corporation](#)
[0759103633](#)

For any questions, you can email us directly:

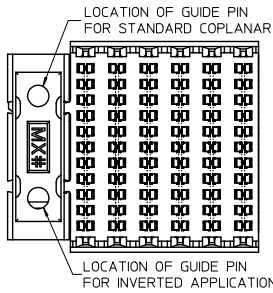
sales@integrated-circuit.com

- NOTES:
1. MATERIALS: HOUSING - LIQUID CRYSTAL POLYMER (LCP), BLACK, UL94V-0
TERMINALS - HIGH PERFORMANCE COPPER ALLOY
 2. FINISH: SELECTIVE GOLD IN CONTACT AREA.
SELECTIVE MATTE TIN ON PCB TAILS, NICKEL OVERALL.
 3. MOLEX PRODUCT SPECIFICATION: PS-75710-999.
 4. OPTIONAL GUIDE PIN SHOWN IN COPLANAR LOCATION.
 5. PACKAGED PER PK-70873-585.
 6. THIS PART CONFORMS TO CLASS B REQUIREMENTS OF MOLEX COSMETIC SPEC. PS-45499-002.
 7. GUIDED PARTS TO BE SHIPPED WITH 2-32 TYPE AB SELF-TAPPING SCREW P/N 73726-0000.
 8. MAPS (MOLEX ADVANCED PLATING SYSTEM).

MATERIAL NUMBER	# OF COLUMNS	DIM 'A' MAX	DIM 'B'
75910- <i>*5**</i>	5	25.9	14.80
75910- <i>*6**</i>	6	29.6	18.50
75910- <i>*1**</i>	10	44.4	33.30



RAM HOLE PATTERN (CONNECTOR SIDE)



(75910-****3*)
(75910-****7*)

LEAD FREE CONV./MAPS EC NO: UCP2015-4121 DRAWN BY: TEL CHKD BY: ELO APPR: BIXLER	QUALITY SYMBOLS	GENERAL TOLERANCES (UNLESS SPECIFIED)		DIMENSION STYLE		SCALE	DESIGN UNITS	THIRD ANGLE PROJECTION	
		mm	INCH	MM ONLY	DATE				
DESCRIPTION	4 PLACES	± 0.10	± 0.004	DATE	2006/06/19	3:1	METRIC	I-TRAC 11 ROW RAM ASS'Y DIFFERENTIAL LONG NOSE GUIDE LEFT	
	3 PLACES	± 0.13	± 0.005	CHECKED BY	2006/11/09				
	2 PLACES	± 0.25	± 0.010	APPROVED BY	DATE				
	1 PLACE	± 0.25	± 0.010	BIXLER	2006/11/10				
0 PLACE	± 0.25	± 0.010	ANGULAR ± 1/2°		MATERIAL NO.	DOCUMENT NO.	molex		
DRAFT WHERE APPLICABLE MUST REMAIN WITHIN DIMENSIONS		SEE CHART		SD-75910-002		SHEET NO. 1 OF 3		THIS DRAWING CONTAINS INFORMATION THAT IS PROPRIETARY TO MOLEX INCORPORATED AND SHOULD NOT BE USED WITHOUT WRITTEN PERMISSION	

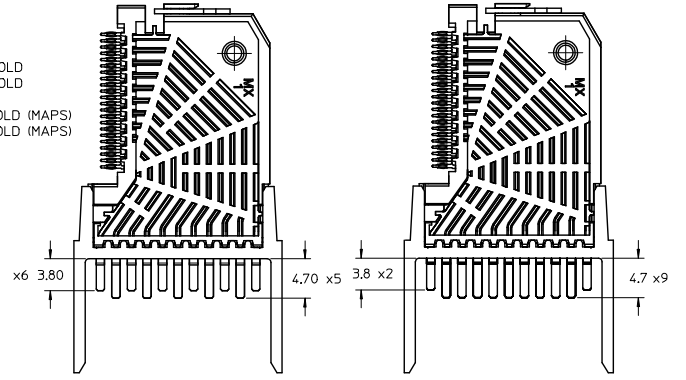
75910-****

MODULE TYPE - TAIL PLATING TYPE
 GUIDE LEFT - MATTE TIN (FORMERLY TIN/LEAD) = 2
 GUIDE LEFT - MATTE TIN = 3
 GUIDE LEFT, END WALL - MATTE TIN (FORMERLY TIN/LEAD) = 6
 GUIDE LEFT, END WALL - MATTE TIN = 7

OF COLUMNS
 5 = 5 COL
 6 = 6 COL
 1 = 10 COL

PIN LENGTH/PLATING
 3 = 4.70 30 GOLD
 5 = 6 X 3.80, 5 X 4.70 STAGGERED 30 GOLD
 6 = 2 X 3.80, 9 X 4.70 STAGGERED 30 GOLD
 7 = 4.70 10 GOLD (MAPS)
 8 = 6 X 3.80, 5 X 4.70 STAGGERED 10 GOLD (MAPS)
 9 = 2 X 3.80, 9 X 4.70 STAGGERED 10 GOLD (MAPS)

ORIENTATION OF GUIDE POST
 2 = COPLANAR
 3 = INVERTED

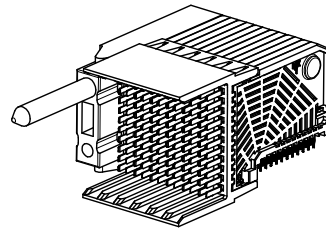
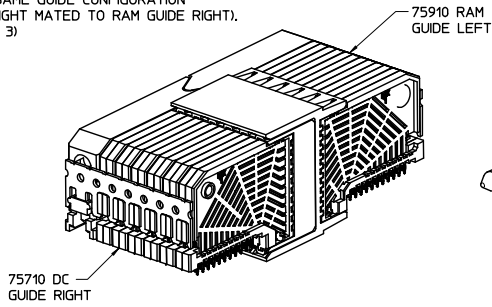


STAGGERED PIN OPTION
 (75910-***5)
 (75910-***8)

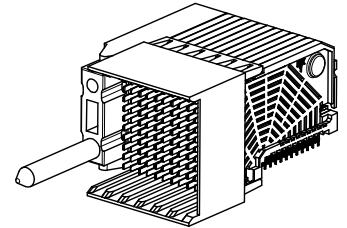
STAGGERED PIN OPTION
 (75910-***6)
 (75910-***9)

NOTE:

WHEN MATING RIGHT ANGLE MALE (RAM) TO A DAUGHTERCARD IN A COPLANAR APPLICATION, THE GUIDE CONFIGURATION IS OPPOSING (DC GUIDE RIGHT MATED TO RAM GUIDE LEFT). WHEN INVERTED, THE RAM AND DAUGHTERCARD HAVE THE SAME GUIDE CONFIGURATION (DC GUIDE RIGHT MATED TO RAM GUIDE RIGHT). (SEE SHEET 3)



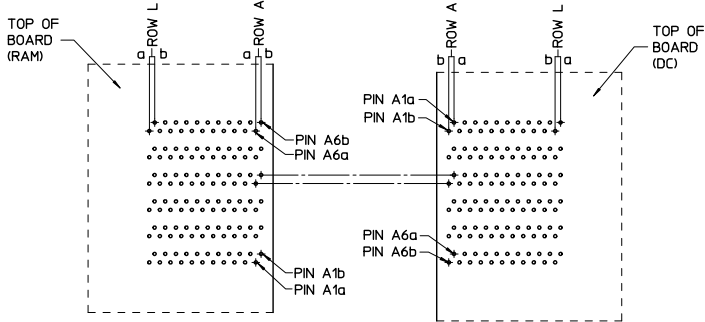
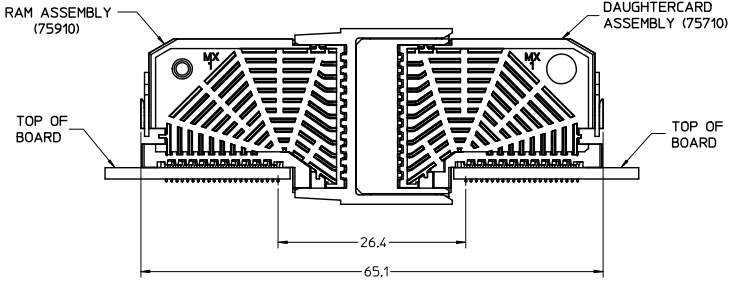
75910-2*2* or
 75910-3*2*
 GUIDE LEFT, COPLANAR



75910-6*3* or
 75910-7*3*
 GUIDE LEFT, END WALL,
 INVERTED

SEE SHEET 1 EC NO: UC2013-421 DRAWN BY: 2013/04/01 CHKD BY: 2013/04/01 APPR: 2013/07/15	QUALITY SYMBOLS ∇=0 ∇=0 ∇=0	GENERAL TOLERANCES (UNLESS SPECIFIED)		DIMENSION STYLE		SCALE	DESIGN UNITS	THIRD ANGLE PROJECTION	
				MM ONLY		2:1	METRIC		
				mm	INCH	DRAWN BY	DATE	TITLE	
				4 PLACES ±	±	TELO	2006/06/19	I-TRAC 11 ROW RAM ASS'Y DIFFERENTIAL LONG NOSE GUIDE LEFT	
		3 PLACES ±	±	CHECKED BY	DATE	molex			
		2 PLACES ±0.13	±	ELO	2006/11/09	SD-75910-002			
		1 PLACE ±0.25	±	APPROVED BY	DATE	SHEET NO.			
		0 PLACE ±	±	BIXLER	2006/11/10	2 OF 3			
		ANGULAR ±1/2°		MATERIAL NO.		DOCUMENT NO.			
		DRAFT WHERE APPLICABLE MUST REMAIN WITHIN DIMENSIONS		SEE CHART		THIS DRAWING CONTAINS INFORMATION THAT IS PROPRIETARY TO MOLEX INCORPORATED AND SHOULD NOT BE USED WITHOUT WRITTEN PERMISSION			

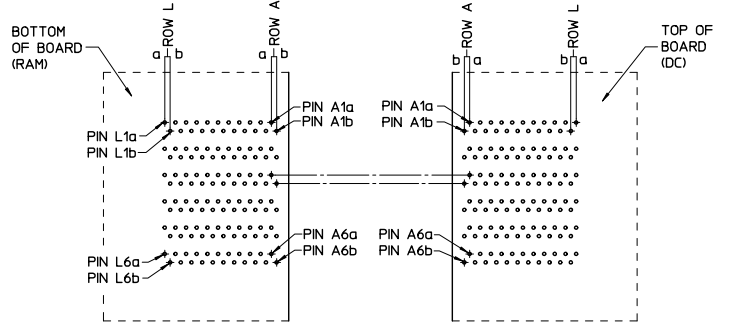
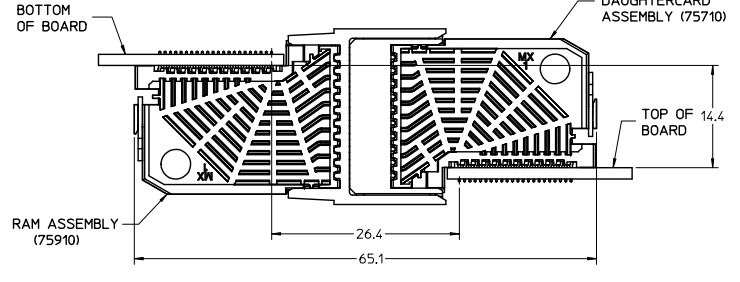
COPLANAR APPLICATION



COPLANAR MATED SIGNAL PATHS

RAM PIN A6b	DC PIN A1a
RAM PIN A6a	DC PIN A1b
RAM PIN A1b	DC PIN A6a
RAM PIN A1a	DC PIN A6b

INVERTED APPLICATION



INVERTED MATED SIGNAL PATHS

RAM PIN L1a	DC PIN A1a
RAM PIN L1b	DC PIN A1b
RAM PIN L6a	DC PIN A6a
RAM PIN L6b	DC PIN A6b

SEE SHEET 1 IEC NO: UCP201B-4121 DRAWN BY: DRINKWIPPLE 2013/04/01 CHKD BY: MOULPE 2013/04/01 APPR: MILLER 2013/07/15	QUALITY SYMBOLS ∇=0 ∇=0 ∇=0	GENERAL TOLERANCES (UNLESS SPECIFIED)		DIMENSION STYLE MM ONLY		SCALE 2:1	DESIGN UNITS METRIC	THIRD ANGLE PROJECTION	
		4 PLACES ± --- ± ---		DRAWN BY: TELO DATE: 2006/06/19		I-TRAC 11 ROW RAM ASS'Y DIFFERENTIAL LONG NOSE GUIDE LEFT SD-75910-002			
		3 PLACES ± --- ± ---		CHECKED BY: ELO DATE: 2006/11/09					
		2 PLACES ± 0.13 ± ---		APPROVED BY: BIXLER DATE: 2006/11/10					
1 PLACE ± 0.25 ± ---		0 PLACE ± --- ± ---							
ANGULAR ± 1/2°		DRAFT WHERE APPLICABLE MUST REMAIN WITHIN DIMENSIONS		SEE CHART		DOCUMENT NO.		SHEET NO. 3 OF 3	
THIS DRAWING CONTAINS INFORMATION THAT IS PROPRIETARY TO MOLEX INCORPORATED AND SHOULD NOT BE USED WITHOUT WRITTEN PERMISSION									