

Excellent Integrated System Limited

Stocking Distributor

Click to view price, real time Inventory, Delivery & Lifecycle Information:

[Molex Connector Corporation](#)
[0759105623](#)

For any questions, you can email us directly:

sales@integrated-circuit.com

13

12

11

10

9

8

7

6

5

4

3

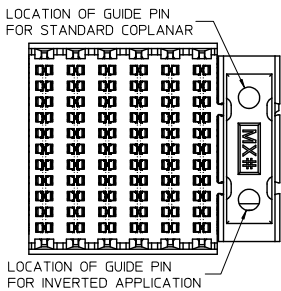
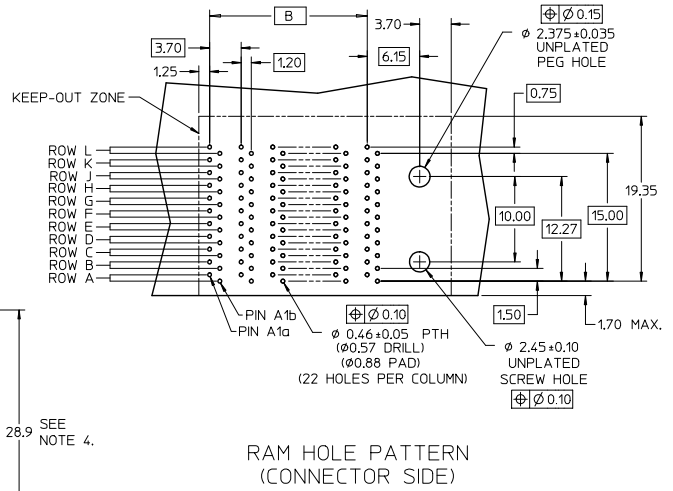
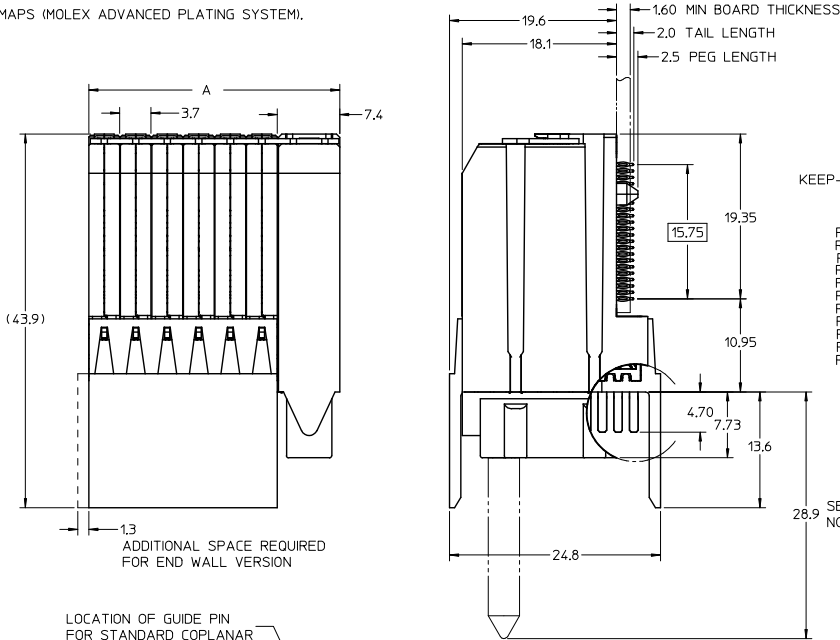
2

1

NOTES:

1. MATERIALS: HOUSING - LIQUID CRYSTAL POLYMER (LCP), BLACK, UL94V-0
TERMINALS - HIGH PERFORMANCE COPPER ALLOY
2. FINISH: SELECTIVE GOLD IN CONTACT AREA.
SELECTIVE MATTE TIN ON PCB TAILS, NICKEL OVERALL.
3. MOLEX PRODUCT SPECIFICATION: PS-75710-999.
4. OPTIONAL GUIDE PIN SHOWN IN COPLANAR LOCATION.
5. PACKAGED PER PK-70873-585.
6. THIS PART CONFORMS TO CLASS B REQUIREMENTS OF MOLEX COSMETIC SPEC PS-45499-002.
7. GUIDED PARTS TO BE SHIPPED WITH 2-32 TYPE AB SELF-TAPPING SCREW P/N 73726-0000.
8. MAPS (MOLEX ADVANCED PLATING SYSTEM).

MATERIAL NUMBER	# OF COLUMNS	DIM "A" MAX	DIM "B"
75910-5**	5	25.9	14.80
75910-6**	6	29.6	18.50
75910-11**	10	44.4	33.30



(75910-***3)
(75910-***7)

LEAD FREE COM/ MAPS EC NO: UCP2015-4121 DRAWN BY: PPLE 2013/04/01 CHKD BY: MOLE 2013/04/01 APPR: SMILLER 2013/07/15	QUALITY SYMBOLS	GENERAL TOLERANCES (UNLESS SPECIFIED)		DIMENSION STYLE		SCALE	DESIGN UNITS	THIRD ANGLE PROJECTION	
		mm	INCH	MM ONLY	DATE	3:1	METRIC		
G	□ = 0 □ = 0.13 □ = 0.25 □ = ±	4 PLACES	±	---	---	DRAWN BY	ELO	DATE	2006/06/19
		3 PLACES	±	---	---	CHECKED BY	ELO	DATE	2006/11/09
		2 PLACES	±	0.13	---	APPROVED BY	BIXLER	DATE	2006/11/10
		1 PLACE	±	0.25	---	MATERIAL NO.		DOCUMENT NO.	SD-75910-003
		0 PLACE	±			DRAFT WHERE APPLICABLE MUST REMAIN WITHIN DIMENSIONS SEE CHART THIS DRAWING CONTAINS INFORMATION THAT IS PROPRIETARY TO MOLEX INCORPORATED AND SHOULD NOT BE USED WITHOUT WRITTEN PERMISSION			

12

11

10

9

8

7

6

5

4

3

2

1

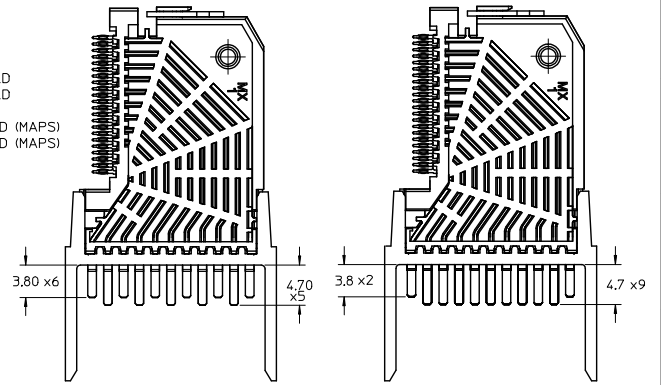
75910-****

MODULE TYPE - TAIL PLATING TYPE
 GUIDE RIGHT - MATTE TIN (FORMERLY TIN/LEAD) = 4
 GUIDE RIGHT - MATTE TIN = 5
 GUIDE RIGHT, END WALL - MATTE TIN (FORMERLY TIN/LEAD) = 8
 GUIDE RIGHT, END WALL - MATTE TIN = 9

OF COLUMNS
 5 = 5 COL
 6 = 6 COL
 1 = 10 COL

PIN LENGTH/PLATING
 3 = 4.70 30 GOLD
 5 = 6 X 3.80, 5 X 4.70 STAGGERED 30 GOLD
 6 = 2 X 3.80, 9 X 4.70 STAGGERED 30 GOLD
 7 = 4.70 10 GOLD (MAPS)
 8 = 6 X 3.80, 5 X 4.70 STAGGERED 10 GOLD (MAPS)
 9 = 2 X 3.80, 9 X 4.70 STAGGERED 10 GOLD (MAPS)

ORIENTATION OF GUIDE POST
 2 = COPLANAR
 3 = INVERTED

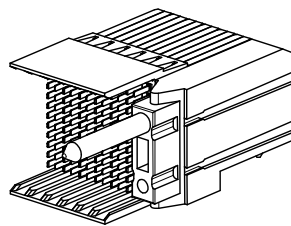
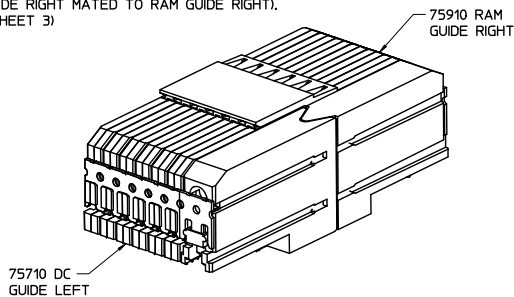


STAGGERED PIN OPTION
 (75910-***5)
 (75910-***8)

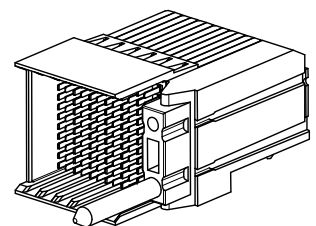
STAGGERED PIN OPTION
 (75910-***6)
 (75910-***9)

NOTE:

WHEN MATING RIGHT ANGLE MALE (RAM) TO A DAUGHTERCARD IN A COPLANAR APPLICATION, THE GUIDE CONFIGURATION IS OPPOSING (DC GUIDE LEFT MATED TO RAM GUIDE RIGHT). WHEN INVERTED, THE RAM AND DAUGHTERCARD HAVE THE SAME GUIDE CONFIGURATION (DC GUIDE RIGHT MATED TO RAM GUIDE RIGHT). (SEE SHEET 3)



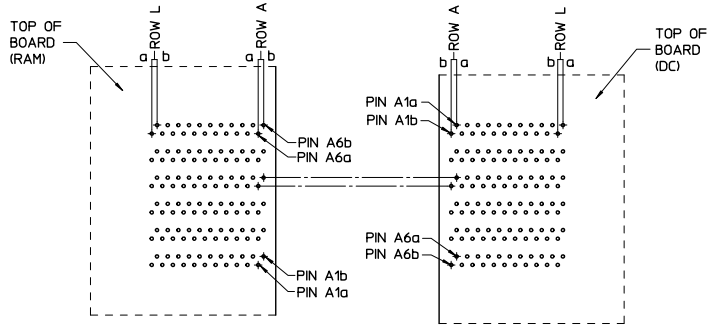
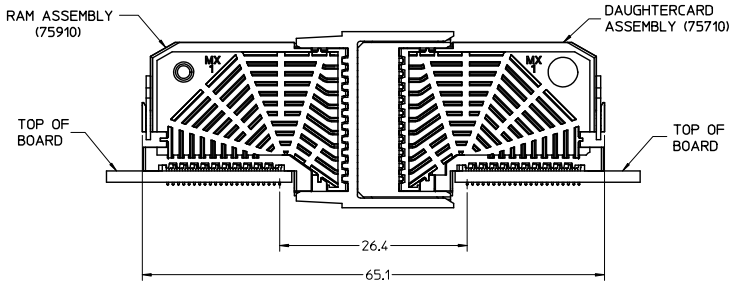
75910-4*2* or
 75910-5*2*
 GUIDE RIGHT, COPLANAR



75910-8*3* or
 75910-9*3*
 GUIDE RIGHT, END WALL,
 INVERTED

SEE SHEET 1 EC NO: UCP2013-4121 DRAWN BY: PPLE 2013/04/01 CHKD BY: WLF 2013/04/01 APPR: SMILLER 2013/07/15	QUALITY SYMBOLS ∇=0 ∇=0 ∇=0	GENERAL TOLERANCES (UNLESS SPECIFIED)		DIMENSION STYLE MM ONLY		SCALE 2:1	DESIGN UNITS METRIC	THIRD ANGLE PROJECTION	
		4 PLACES ± --- ± ---	3 PLACES ± --- ± ---	DRAWN BY ELO	DATE 2006/06/19	TITLE I-TRAC 11 ROW RAM ASS'Y DIFFERENTIAL LONG NOSE GUIDE RIGHT molex DOCUMENT NO. SD-75910-003 SHEET NO. 2 OF 3			
		2 PLACES ± 0.13 ± ---	1 PLACE ± 0.25 ± ---	CHECKED BY ELO	DATE 2006/11/09				
		0 PLACE ± --- ± ---	ANGULAR ± 1/2°	APPROVED BY BIXLER	DATE 2006/11/10				
DRAFT WHERE APPLICABLE MUST REMAIN WITHIN DIMENSIONS		MATERIAL NO. SEE CHART							

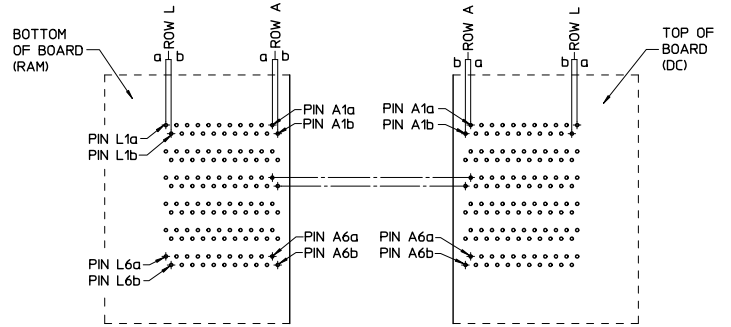
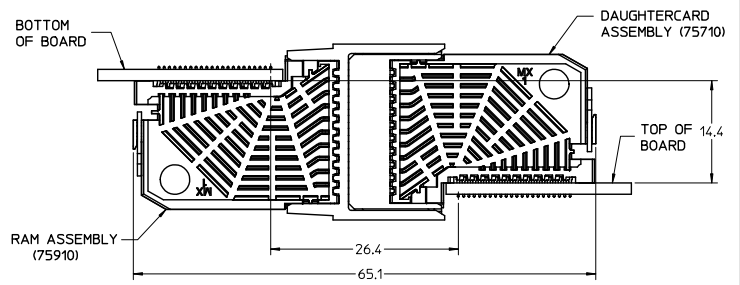
COPLANAR APPLICATION



COPLANAR MATED SIGNAL PATHS

RAM PIN A6b	DC PIN A1a
RAM PIN A6a	DC PIN A1b
.....
RAM PIN A1b	DC PIN A6a
RAM PIN A1a	DC PIN A6b

INVERTED APPLICATION



INVERTED MATED SIGNAL PATHS

RAM PIN L1a	DC PIN A1a
RAM PIN L1b	DC PIN A1b
.....
RAM PIN L6a	DC PIN A6a
RAM PIN L6b	DC PIN A6b

SEE SHEET 1 EC NO: UCP2013-4121 DRAWN BY: DRW:WHP/PLE 2013/04/01 CHECKED BY: CHK:DM/ULF 2013/04/01 APPROVED BY: APP:RSM/LLR 2013/07/15 DESCRIPTION:	QUALITY SYMBOLS	GENERAL TOLERANCES (UNLESS SPECIFIED)	DIMENSION STYLE	SCALE	DESIGN UNITS	THIRD ANGLE PROJECTION	TITLE I-TRAC 11 ROW RAM ASS'Y DIFFERENTIAL LONG NOSE GUIDE RIGHT molex DOCUMENT NO. SD-75910-003 SHEET NO. 3 OF 3
	4 PLACES ± --- ± --- 3 PLACES ± --- ± --- 2 PLACES ± 0.13 ± --- 1 PLACE ± 0.25 ± --- 0 PLACE ± ±	mm INCH DRAWN BY: ELO DATE: 2006/06/19 CHECKED BY: ELO DATE: 2006/11/09 APPROVED BY: BIXLER DATE: 2006/11/10 MATERIAL NO. SEE CHART DRAFT WHERE APPLICABLE MUST REMAIN WITHIN DIMENSIONS	MM ONLY	2:1	METRIC	INCORPORATED AND SHOULD NOT BE USED WITHOUT WRITTEN PERMISSION	
	ANGULAR ±1/2°	SIZE C					