

## Excellent Integrated System Limited

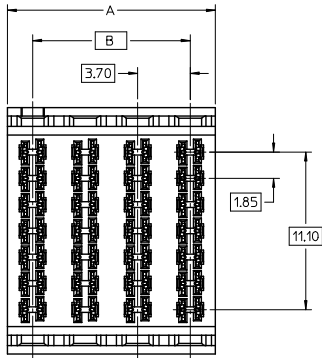
Stocking Distributor

Click to view price, real time Inventory, Delivery & Lifecycle Information:

[Molex Connector Corporation](#)  
[0760150424](#)

For any questions, you can email us directly:

[sales@integrated-circuit.com](mailto:sales@integrated-circuit.com)



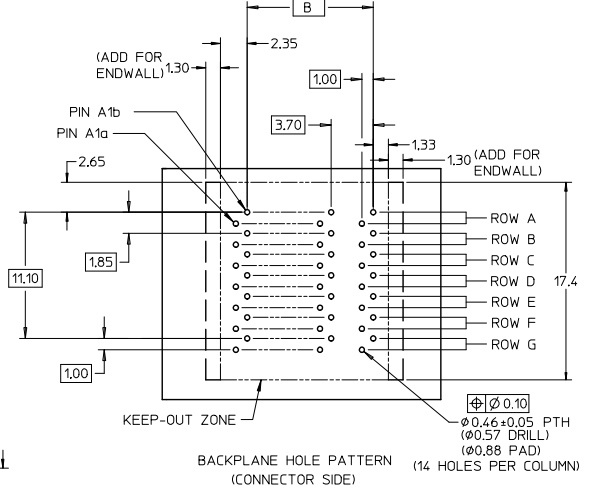
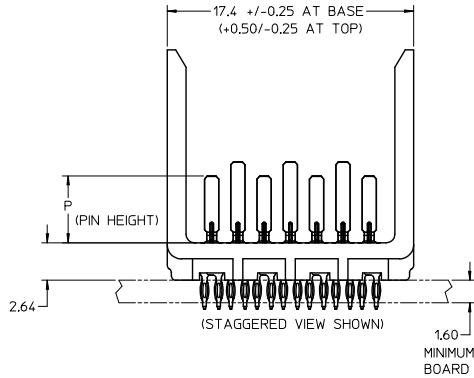
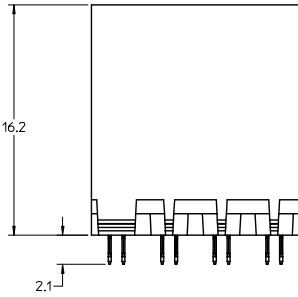
**76015-\*\*\*\***

MODULE TYPE -- TAIL PLATING TYPE  
 UNGUIDED -- TIN ONLY = 0 (PREVIOUSLY TIN/LEAD)  
 UNGUIDED -- TIN ONLY = 1

# OF COLUMNS  
 4 = 4 COL  
 6 = 6 COL  
 1 = 10 COL

PART STYLE  
 0 = OPEN ENDS  
 1 = LEFT END WALL  
 2 = DUAL END WALL  
 3 = RIGHT END WALL

PIN LENGTH (P)  
 2 = 3.90 - 30 GOLD  
 3 = 4.70 - 30 GOLD  
 4 = 5.70 - 30 GOLD  
 5 = 4.70 & 5.70 - 30 GOLD STAGGERED  
 6 = 3.90 - 10 GOLD  
 7 = 4.70 - 10 GOLD  
 8 = 5.70 - 10 GOLD  
 9 = 4.70 & 5.70 - 10 GOLD STAGGERED



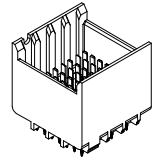
**NOTES:**

1. MATERIALS: HOUSING - LIQUID CRYSTAL POLYMER (LCP)  
GLASS-FILLED, UL94V-0  
TERMINALS - HIGH PERFORMANCE COPPER ALLOY
2. FINISH: 10 MICROINCH MINIMUM GOLD OR 30 MICROINCH MINIMUM GOLD IN CONTACT AREA. SELECTIVE MATTE TIN ON PCB TAILS, NICKEL OVERALL.
3. REFER TO MOLEX PRODUCT SPECIFICATION PS-75710-999 FOR PERFORMANCE SPECIFICATIONS.
4. FOR MIXED CONTACT MATING LENGTHS, CONSULT MOLEX FOR AVAILABILITY.
5. THIS PART CONFORMS TO CLASS B REQUIREMENTS OF MOLEX COSMETIC SPEC PS-45499-002
6. PACKAGE PER: PK-70873-802.
7. REFER TO PCB ROUTING GUIDE FOR ANTI PAD AND ROUTING RECOMMENDATIONS.

LEADFREE CONVERS. EC NO: UCP2015-1698 DRAWN BY: DRW:RUPFF CHKD/MOLFE APPR:SMILLER 2012/11/12 2012/11/12 2012/12/12	QUALITY SYMBOLS ∇=0 ∇=0 ∇=0	GENERAL TOLERANCES (UNLESS SPECIFIED)		DIMENSION STYLE		SCALE	DESIGN UNITS	THIRD ANGLE PROJECTION	
				MM ONLY		5:1	METRIC		
				DRAWN BY DATE		TITLE			
				CHECKED BY DATE		I-TRAC BACKPLANE 7 ROW UNGUIDED ASSEMBLY SALES DRAWING			
		APPROVED BY DATE		MATERIAL NO.		DOCUMENT NO.		SHEET NO.	
		1 PLACE ± 0.13 ± ---		C BIXLER 2007/02/06		SD-76015-001		1 OF 4	
		0 PLACE ± --- ± ---		SEE TABLE		THIS DRAWING CONTAINS INFORMATION THAT IS PROPRIETARY TO MOLEX INCORPORATED AND SHOULD NOT BE USED WITHOUT WRITTEN PERMISSION			

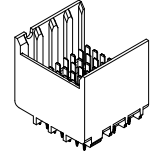
MATERIAL NUMBER	# OF COLUMNS	DIM "A"	DIM "B"
76015- $\ast$ 42 $\ast$	4	17.3	11.10
76015- $\ast$ 62 $\ast$	6	24.7	18.50
76015- $\ast$ 12 $\ast$	10	39.5	33.30

DUAL END STYLE



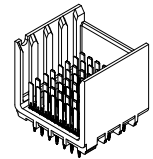
MATERIAL NUMBER	# OF COLUMNS	DIM "A"	DIM "B"
76015- $\ast$ 41 $\ast$	4	16.0	11.10
76015- $\ast$ 61 $\ast$	6	23.4	18.50
76015- $\ast$ 11 $\ast$	10	38.2	33.30

LEFT END STYLE



MATERIAL NUMBER	# OF COLUMNS	DIM "A"	DIM "B"
76015- $\ast$ 43 $\ast$	4	16.0	11.10
76015- $\ast$ 63 $\ast$	6	23.4	18.50
76015- $\ast$ 13 $\ast$	10	38.2	33.30

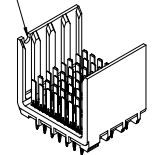
RIGHT END STYLE



MATERIAL NUMBER	# OF COLUMNS	DIM "A"	DIM "B"
76015- $\ast$ 40 $\ast$	4	14.7	11.10
76015- $\ast$ 60 $\ast$	6	22.1	18.50
76015- $\ast$ 10 $\ast$	10	36.9	33.30

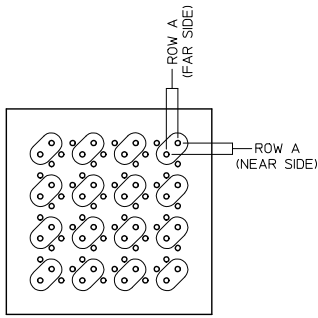
OPEN END STYLE

NOTCH DESIGNATES ROW A

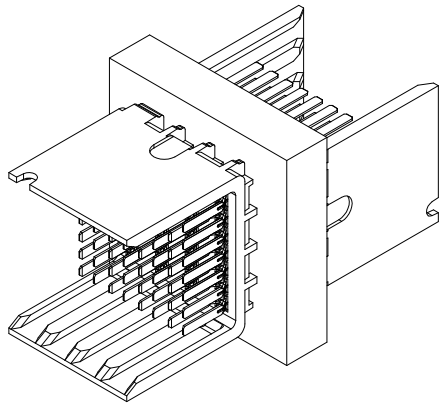


SEE SHEET 1 IEC NO: UCP2013-1898 DRAWN BY: 2012/11/12 CHK: KIMOLFE 2012/11/12 APPR: SMILLER 2012/11/12	QUALITY SYMBOLS	GENERAL TOLERANCES (UNLESS SPECIFIED)	DIMENSION STYLE	SCALE	DESIGN UNITS	THIRD ANGLE PROJECTION
	$\nabla = 0$ $\nabla = 0.13$ $\nabla = 0.25$	mm INCH 4 PLACES $\pm$ --- $\pm$ --- 3 PLACES $\pm$ --- $\pm$ --- 2 PLACES $\pm$ 0.13 $\pm$ --- 1 PLACE $\pm$ 0.25 $\pm$ --- 0 PLACE $\pm$ $\pm$	MM ONLY	4:1	METRIC	THIRD ANGLE PROJECTION
	DESCRIPTION	ANGULAR $\pm$ 1/2°	DRAWN BY DATE	TITLE		
	REV	DRAFT WHERE APPLICABLE MUST REMAIN WITHIN DIMENSIONS	BPI SZCZOR 2007/01/25 CHECKED BY DATE JLAURX 2007/02/06 APPROVED BY DATE CBIXLER 2007/02/06	I-TRAC BACKPLANE 7 ROW UNGUIDED ASSEMBLY SALES DRAWING 		
		SEE TABLE	MATERIAL NO.	DOCUMENT NO.	SHEET NO.	
				SD-76015-001	2 OF 4	
			THIS DRAWING CONTAINS INFORMATION THAT IS PROPRIETARY TO MOLEX INCORPORATED AND SHOULD NOT BE USED WITHOUT WRITTEN PERMISSION			

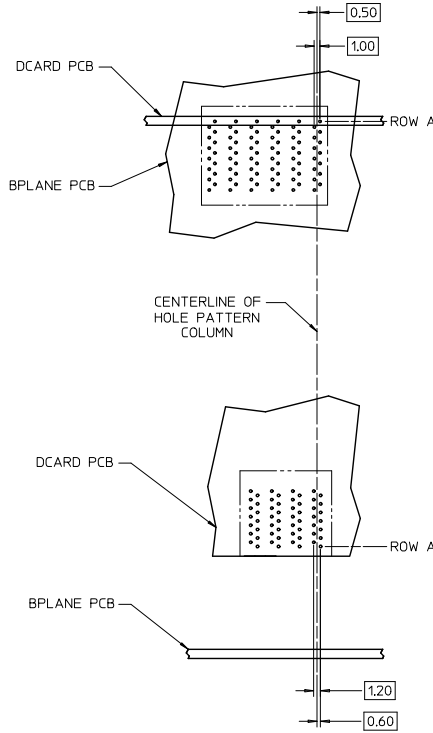
13 12 11 10 9 8 7 6 5 4 3 2 1



ORTHOGONAL MIDPLANE HOLE PATTERN  
(16 SIGNAL PAIRS SHARE VIAS)

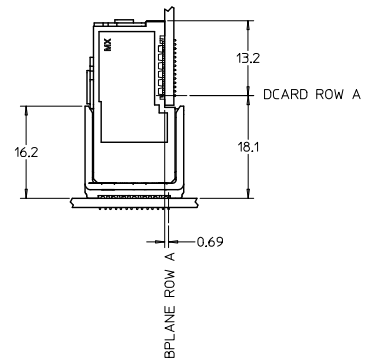


16 PAIR ORTHOGONAL MIDPLANE NODE  
(USES TWO 4 COLUMN 7 ROW HEADERS)



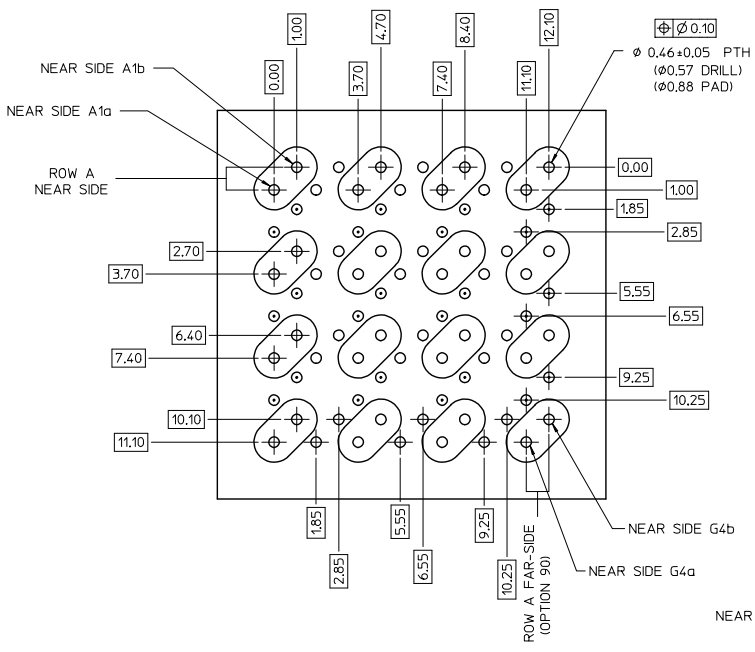
**7 ROW I-TRAC  
BOARD RELATIONSHIPS**

SCALE 2:1



SEE SHEET 1 EC NO: UCP2013-1898 DRAWN BY: DRINKHOFF 2012/11/12 CHECKED BY: CHKHMOLFE 2012/11/12 APPROVED BY: APPERSMILLER 2012/12/12 REV:	QUALITY SYMBOLS ∇=0 ∇=0.13 ∇=0.25	GENERAL TOLERANCES (UNLESS SPECIFIED)		DIMENSION STYLE MM ONLY		SCALE 4:1	DESIGN UNITS METRIC	THIRD ANGLE PROJECTION
		4 PLACES ± --- ± --- 3 PLACES ± --- ± --- 2 PLACES ± 0.13 ± --- 1 PLACE ± 0.25 ± --- 0 PLACE ± ±	mm INCH --- --- --- --- --- --- --- --- --- ---	DRAWN BY BPISZCZOR	DATE 2007/01/25	TITLE I-TRAC BACKPLANE 7 ROW UNGUIDED ASSEMBLY SALES DRAWING		molex
ANGULAR ±1/2° DRAFT WHERE APPLICABLE MUST REMAIN WITHIN DIMENSIONS		MATERIAL NO. SEE TABLE		DOCUMENT NO. SD-76015-001		SHEET NO. 3 OF 4		THIS DRAWING CONTAINS INFORMATION THAT IS PROPRIETARY TO MOLEX INCORPORATED AND SHOULD NOT BE USED WITHOUT WRITTEN PERMISSION

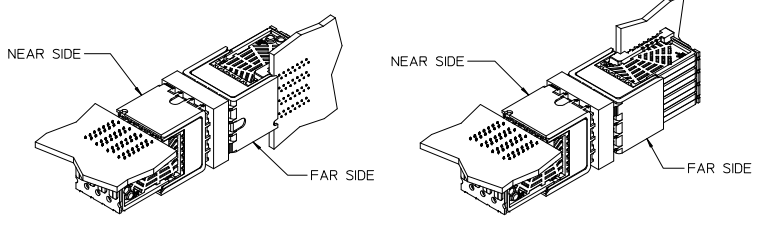
12 11 10 9 8 7 6 5 4 3 2 1



Orthogonal PCB Layout

ORTHO PIN MAPPING			
OPTION 90 (NEAR SIDE - FAR SIDE)			
A1b-G4b	A2b-E4b	A3b-C4b	A4b-A4b
A1a-G4a	A2a-E4a	A3a-C4a	A4a-A4a
C1b-G3b	C2b-E3b	C3b-C3b	C4b-A3b
C1a-G3a	C2a-E3a	C3a-C3a	C4a-A3a
E1b-G2b	E2b-E2b	E3b-C2b	E4b-A2b
E1a-G2a	E2a-E2a	E3a-C2a	E4a-A2a
G1b-G1b	G2b-E1b	G3b-C1b	G4b-A1b
G1a-G1a	G2a-E1a	G3a-C1a	G4a-A1a

ORTHO PIN MAPPING			
OPTION 270 (NEAR SIDE - FAR SIDE)			
A1b-A1a	A2b-C1a	A3b-E1a	A4b-G1a
A1a-A1b	A2a-C1b	A3a-E1b	A4a-G1b
C1b-A2a	C2b-C2a	C3b-E2a	C4b-G2a
C1a-A2b	C2a-C2b	C3a-E2b	C4a-G2b
E1b-A3a	E2b-C3a	E3b-E3a	E4b-G3a
E1a-A3b	E2a-C3b	E3a-E3b	E4a-G3b
G1b-A4a	G2b-C4a	G3b-E4a	G4b-G4a
G1a-A4b	G2a-C4b	G3a-E4b	G4a-G4b



OPTION 90

OPTION 270

- NOTES:
- SIGNAL PAIRS (SHARED VIAS)
  - NEAR SIDE GROUNDS
  - FAR SIDE GROUNDS

SEE SHEET 1 EC NO: UCP2013-1698 DRAWN BY: 2012/11/12 CHKD BY: 2012/11/12 APPR: MILLER 2012/12/17	QUALITY SYMBOLS 	GENERAL TOLERANCES (UNLESS SPECIFIED)		DIMENSION STYLE		SCALE	DESIGN UNITS	THIRD ANGLE PROJECTION			
				MM ONLY		4:1	METRIC				
						DRAWN BY	DATE	TITLE			
						CHECKED BY	DATE	I-TRAC BACKPLANE 7 ROW UNGUIDED ASSEMBLY SALES DRAWING			
				APPROVED BY		DATE					
				MATERIAL NO.		DOCUMENT NO.				SHEET NO.	
		ANGULAR ±1/2°		SEE TABLE		SD-76015-001		4 OF 4			
		DRAFT WHERE APPLICABLE MUST REMAIN WITHIN DIMENSIONS		THIS DRAWING CONTAINS INFORMATION THAT IS PROPRIETARY TO MOLEX INCORPORATED AND SHOULD NOT BE USED WITHOUT WRITTEN PERMISSION							