

Excellent Integrated System Limited

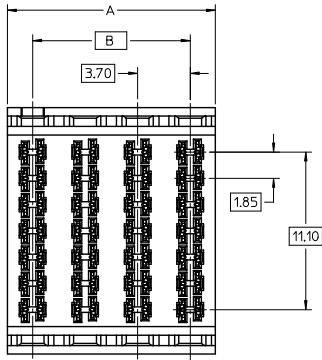
Stocking Distributor

Click to view price, real time Inventory, Delivery & Lifecycle Information:

[Molex Connector Corporation](#)
[0760151413](#)

For any questions, you can email us directly:

sales@integrated-circuit.com



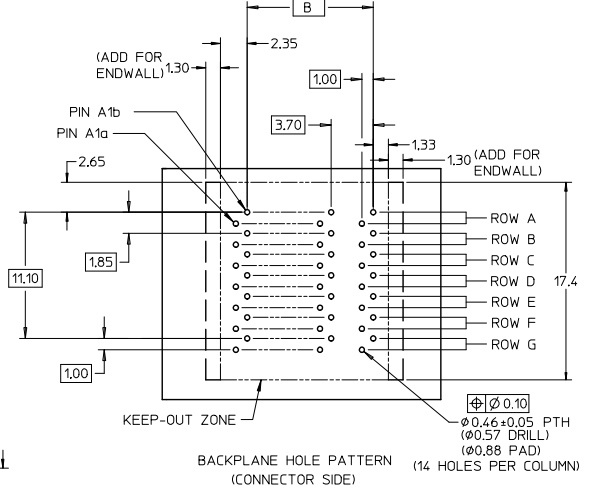
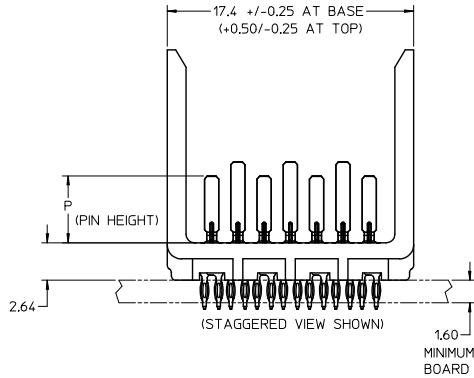
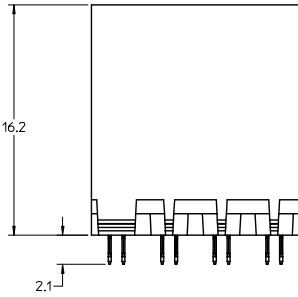
76015-****

MODULE TYPE -- TAIL PLATING TYPE
 UNGUIDED -- TIN ONLY = 0 (PREVIOUSLY TIN/LEAD)
 UNGUIDED -- TIN ONLY = 1

OF COLUMNS
 4 = 4 COL
 6 = 6 COL
 1 = 10 COL

PART STYLE
 0 = OPEN ENDS
 1 = LEFT END WALL
 2 = DUAL END WALL
 3 = RIGHT END WALL

PIN LENGTH (P)
 2 = 3.90 - 30 GOLD
 3 = 4.70 - 30 GOLD
 4 = 5.70 - 30 GOLD
 5 = 4.70 & 5.70 - 30 GOLD STAGGERED
 6 = 3.90 - 10 GOLD
 7 = 4.70 - 10 GOLD
 8 = 5.70 - 10 GOLD
 9 = 4.70 & 5.70 - 10 GOLD STAGGERED

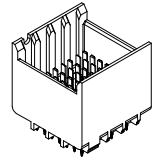


- NOTES:
1. MATERIALS: HOUSING - LIQUID CRYSTAL POLYMER (LCP)
GLASS-FILLED, UL94V-0
TERMINALS - HIGH PERFORMANCE COPPER ALLOY
 2. FINISH: 10 MICROINCH MINIMUM GOLD OR 30 MICROINCH MINIMUM GOLD IN CONTACT AREA. SELECTIVE MATTE TIN ON PCB TAILS, NICKEL OVERALL.
 3. REFER TO MOLEX PRODUCT SPECIFICATION PS-75710-999 FOR PERFORMANCE SPECIFICATIONS.
 4. FOR MIXED CONTACT MATING LENGTHS, CONSULT MOLEX FOR AVAILABILITY.
 5. THIS PART CONFORMS TO CLASS B REQUIREMENTS OF MOLEX COSMETIC SPEC PS-45499-002
 6. PACKAGE PER: PK-70873-802.
 7. REFER TO PCB ROUTING GUIDE FOR ANTI PAD AND ROUTING RECOMMENDATIONS.

LEADFREE CONVERS. EC NO: UCP2015-1698 DRAWN BY: DRW:RUPFF CHKD/MOLFE APPR:SMILLER DATE: 2012/11/12 DATE: 2012/11/12 DATE: 2012/12/12	QUALITY SYMBOLS ∇=0 ∇=0 ∇=0	GENERAL TOLERANCES (UNLESS SPECIFIED)		DIMENSION STYLE		SCALE	DESIGN UNITS	THIRD ANGLE PROJECTION	
				MM ONLY		5:1	METRIC		
				DRAWN BY DATE		TITLE			
				CHECKED BY DATE		I-TRAC BACKPLANE 7 ROW UNGUIDED ASSEMBLY SALES DRAWING			
		APPROVED BY DATE		MATERIAL NO.		DOCUMENT NO.		SHEET NO.	
		1 PLACE ± 0.25 ± ---		C BIXLER 2007/02/06		SD-76015-001		1 OF 4	
		0 PLACE ± --- ± ---		SEE TABLE		THIS DRAWING CONTAINS INFORMATION THAT IS PROPRIETARY TO MOLEX INCORPORATED AND SHOULD NOT BE USED WITHOUT WRITTEN PERMISSION			

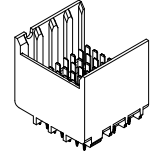
MATERIAL NUMBER	# OF COLUMNS	DIM "A"	DIM "B"
76015- \ast 42 \ast	4	17.3	11.10
76015- \ast 62 \ast	6	24.7	18.50
76015- \ast 12 \ast	10	39.5	33.30

DUAL END STYLE



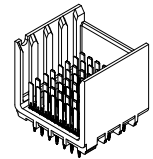
MATERIAL NUMBER	# OF COLUMNS	DIM "A"	DIM "B"
76015- \ast 41 \ast	4	16.0	11.10
76015- \ast 61 \ast	6	23.4	18.50
76015- \ast 11 \ast	10	38.2	33.30

LEFT END STYLE



MATERIAL NUMBER	# OF COLUMNS	DIM "A"	DIM "B"
76015- \ast 43 \ast	4	16.0	11.10
76015- \ast 63 \ast	6	23.4	18.50
76015- \ast 13 \ast	10	38.2	33.30

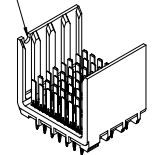
RIGHT END STYLE



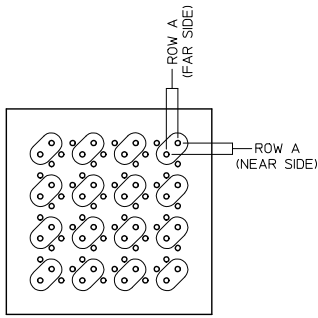
MATERIAL NUMBER	# OF COLUMNS	DIM "A"	DIM "B"
76015- \ast 40 \ast	4	14.7	11.10
76015- \ast 60 \ast	6	22.1	18.50
76015- \ast 10 \ast	10	36.9	33.30

OPEN END STYLE

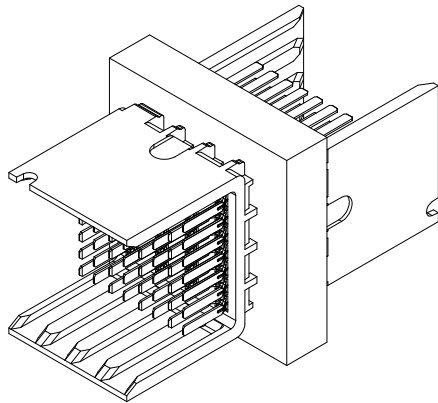
NOTCH DESIGNATES ROW A



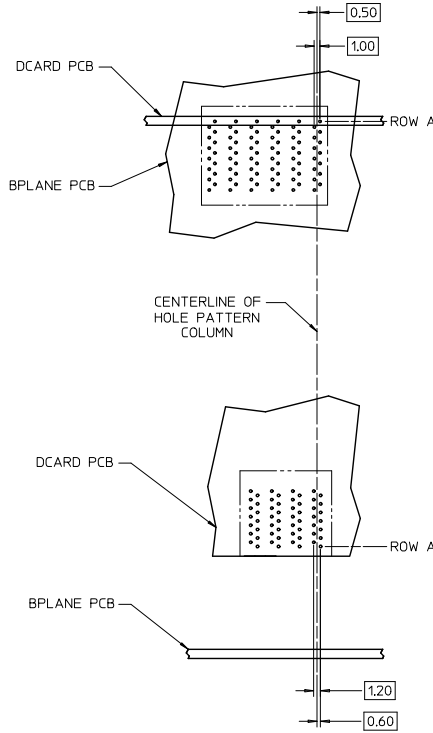
SEE SHEET 1 IEC NO: UCP2013-1898 DRAWN BY: 2012/11/12 CHKD BY: 2012/11/12 APPR: MILLER 2012/11/12	QUALITY SYMBOLS	GENERAL TOLERANCES (UNLESS SPECIFIED)	DIMENSION STYLE	SCALE	DESIGN UNITS	THIRD ANGLE PROJECTION
	$\nabla = 0$ $\nabla = 0.13$ $\nabla = 0.25$	mm INCH 4 PLACES \pm --- \pm --- 3 PLACES \pm --- \pm --- 2 PLACES \pm 0.13 \pm --- 1 PLACE \pm 0.25 \pm --- 0 PLACE \pm \pm	MM ONLY	4:1	METRIC	THIRD ANGLE PROJECTION
	DESCRIPTION	ANGULAR $\pm 1/2^\circ$	DRAWN BY DATE	TITLE		
	REV	DRAFT WHERE APPLICABLE MUST REMAIN WITHIN DIMENSIONS	BPI SZCZOR 2007/01/25 CHECKED BY DATE JLAURX 2007/02/06 APPROVED BY DATE CBIXLER 2007/02/06	I-TRAC BACKPLANE 7 ROW UNGUIDED ASSEMBLY SALES DRAWING 		
		SEE TABLE	MATERIAL NO.	DOCUMENT NO.	SHEET NO.	
				SD-76015-001	2 OF 4	
			THIS DRAWING CONTAINS INFORMATION THAT IS PROPRIETARY TO MOLEX INCORPORATED AND SHOULD NOT BE USED WITHOUT WRITTEN PERMISSION			



ORTHOGONAL MIDPLANE HOLE PATTERN
(16 SIGNAL PAIRS SHARE VIAS)

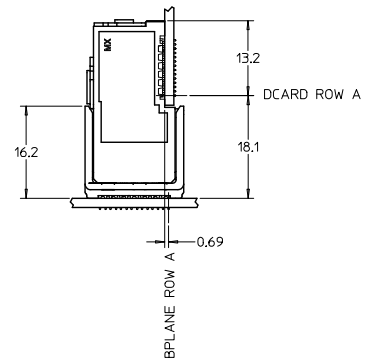


16 PAIR ORTHOGONAL MIDPLANE NODE
(USES TWO 4 COLUMN 7 ROW HEADERS)

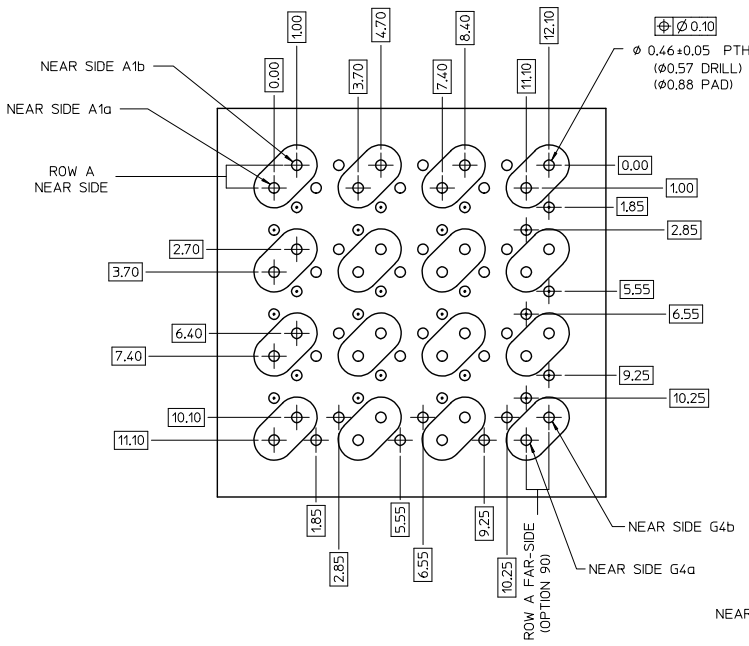


**7 ROW I-TRAC
BOARD RELATIONSHIPS**

SCALE 2:1



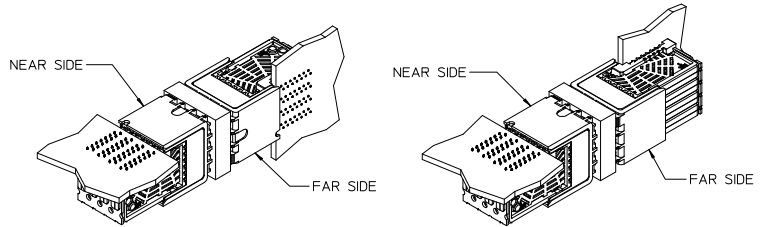
SEE SHEET 1 EC NO: UCP2013-1898 DRAWN BY: DRINKHOFF 2012/11/12 CHECKED BY: CHKHMOLFE 2012/11/12 APPROVED BY: APPERSMILLER 2012/12/12	QUALITY SYMBOLS ∇=0 ∇=0.13 ∇=0.25	GENERAL TOLERANCES (UNLESS SPECIFIED)		DIMENSION STYLE MM ONLY		SCALE 4:1	DESIGN UNITS METRIC	THIRD ANGLE PROJECTION
		4 PLACES ± --- ± --- 3 PLACES ± --- ± --- 2 PLACES ± 0.13 ± --- 1 PLACE ± 0.25 ± --- 0 PLACE ± ±	mm INCH --- --- --- --- --- --- --- --- --- ---	DRAWN BY BPISZCZOR	DATE 2007/01/25	TITLE I-TRAC BACKPLANE 7 ROW UNGUIDED ASSEMBLY SALES DRAWING		molex
ANGLULAR ±1/2° DRAFT WHERE APPLICABLE MUST REMAIN WITHIN DIMENSIONS		MATERIAL NO. SEE TABLE		DOCUMENT NO. SD-76015-001		SHEET NO. 3 OF 4		THIS DRAWING CONTAINS INFORMATION THAT IS PROPRIETARY TO MOLEX INCORPORATED AND SHOULD NOT BE USED WITHOUT WRITTEN PERMISSION



Orthogonal PCB Layout

ORTHO PIN MAPPING			
OPTION 90 (NEAR SIDE - FAR SIDE)			
A1b-G4b	A2b-E4b	A3b-C4b	A4b-A4b
A1a-G4a	A2a-E4a	A3a-C4a	A4a-A4a
C1b-G3b	C2b-E3b	C3b-C3b	C4b-A3b
C1a-G3a	C2a-E3a	C3a-C3a	C4a-A3a
E1b-G2b	E2b-E2b	E3b-C2b	E4b-A2b
E1a-G2a	E2a-E2a	E3a-C2a	E4a-A2a
G1b-G1b	G2b-E1b	G3b-C1b	G4b-A1b
G1a-G1a	G2a-E1a	G3a-C1a	G4a-A1a

ORTHO PIN MAPPING			
OPTION 270 (NEAR SIDE - FAR SIDE)			
A1b-A1a	A2b-C1a	A3b-E1a	A4b-G1a
A1a-A1b	A2a-C1b	A3a-E1b	A4a-G1b
C1b-A2a	C2b-C2a	C3b-E2a	C4b-G2a
C1a-A2b	C2a-C2b	C3a-E2b	C4a-G2b
E1b-A3a	E2b-C3a	E3b-E3a	E4b-G3a
E1a-A3b	E2a-C3b	E3a-E3b	E4a-G3b
G1b-A4a	G2b-C4a	G3b-E4a	G4b-G4a
G1a-A4b	G2a-C4b	G3a-E4b	G4a-G4b



OPTION 90

OPTION 270

NOTES:

- SIGNAL PAIRS (SHARED VIAS)
- NEAR SIDE GROUNDS
- FAR SIDE GROUNDS

SEE SHEET 1 EC NO: UCP2013-1698 DRAWN BY: 2012/11/12 CHKD BY: 2012/11/12 APPR: MILLER 2012/11/12 DESCRIPTION:	QUALITY SYMBOLS	GENERAL TOLERANCES (UNLESS SPECIFIED)	DIMENSION STYLE	SCALE	DESIGN UNITS	THIRD ANGLE PROJECTION
		mm INCH 4 PLACES ± --- ± --- 3 PLACES ± --- ± --- 2 PLACES ± 0.13 ± --- 1 PLACE ± 0.25 ± --- 0 PLACE ± ±	MM ONLY	4:1	METRIC	
	ANGULAR ± 1/2° DRAFT WHERE APPLICABLE MUST REMAIN WITHIN DIMENSIONS	DRAWN BY: BPI SZCZOR 2007/01/25 CHECKED BY: JLAURX 2007/02/06 APPROVED BY: CBIXLER 2007/02/06	TITLE	I-TRAC BACKPLANE 7 ROW UNGUIDED ASSEMBLY SALES DRAWING		
	MATERIAL NO. SEE TABLE	DOCUMENT NO. SD-76015-001			SHEET NO. 4 OF 4	