

## Excellent Integrated System Limited

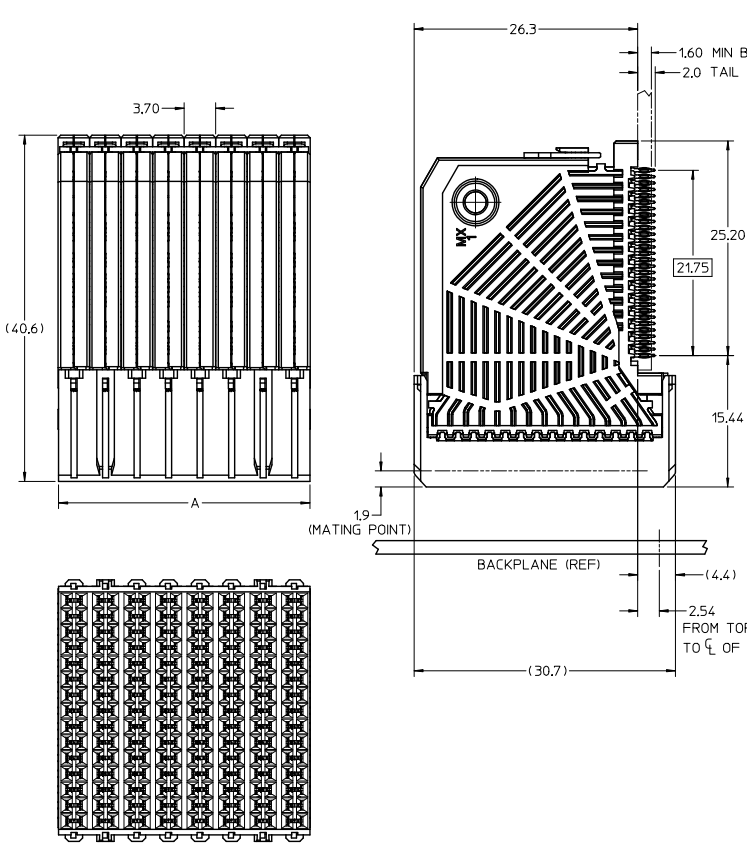
Stocking Distributor

Click to view price, real time Inventory, Delivery & Lifecycle Information:

[Molex Connector Corporation](#)  
[0760400010](#)

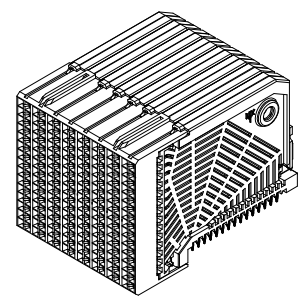
For any questions, you can email us directly:

[sales@integrated-circuit.com](mailto:sales@integrated-circuit.com)



NOTES:

1. MATERIALS: HOUSING - LIQUID CRYSTAL POLYMER (LCP) GLASS-FILLED, UL 94V-0  
TERMINALS - HIGH PERFORMANCE COPPER ALLOY
2. FINISH: 10µIN MIN. GOLD (MAPS) OR 30µIN MIN. GOLD IN CONTACT AREA SELECTIVE MATTE TIN ON PCB TAILS. NICKEL OVERALL.
3. REFER TO MOLEX PRODUCT SPEC PS-75710-999 FOR PERFORMANCE SPECIFICATIONS.
4. PRODUCT IS PACKAGED PER PK-70873-608.
5. THIS PART CONFORMS TO CLASS B REQUIREMENTS OF COSMETIC SPEC PS-45499-002.
6. MAPS (MOLEX ADVANCED PLATING SYSTEM).



LEAD FREE CONVERSION EC NO: UCP2015-4288 DRAWN BY: 2013/04/09 CHKD BY: 2013/04/09 APPROVED BY: 2013/06/26	QUALITY SYMBOLS ▽=0 ▽=0 ▽=0	GENERAL TOLERANCES (UNLESS SPECIFIED)		DIMENSION STYLE MM ONLY		SCALE 2:1	DESIGN UNITS METRIC	THIRD ANGLE PROJECTION	
		4 PLACES ±	mm	INCH	DRAWN BY MCARRANZA	DATE 3/20/06	TITLE I-TRAC DAUGHTERCARD 15 ROW UNGUIDED SIGNAL MODULE <b>molex</b> DOCUMENT NO. SD-76040-001 SHEET NO. 1 OF 2		
		3 PLACES ±			CHECKED BY JLAURX	DATE 3/21/06			
		2 PLACES ± 0.13			APPROVED BY JLAURX	DATE 3/21/06			
1 PLACE ± 0.25									
		0 PLACE ±							
		ANGULAR ±1/2°		MATERIAL NO.		DOCUMENT NO.			
DRAFT WHERE APPLICABLE MUST REMAIN WITHIN DIMENSIONS		SEE CHART		SIZE C		THIS DRAWING CONTAINS INFORMATION THAT IS PROPRIETARY TO MOLEX INCORPORATED AND SHOULD NOT BE USED WITHOUT WRITTEN PERMISSION			

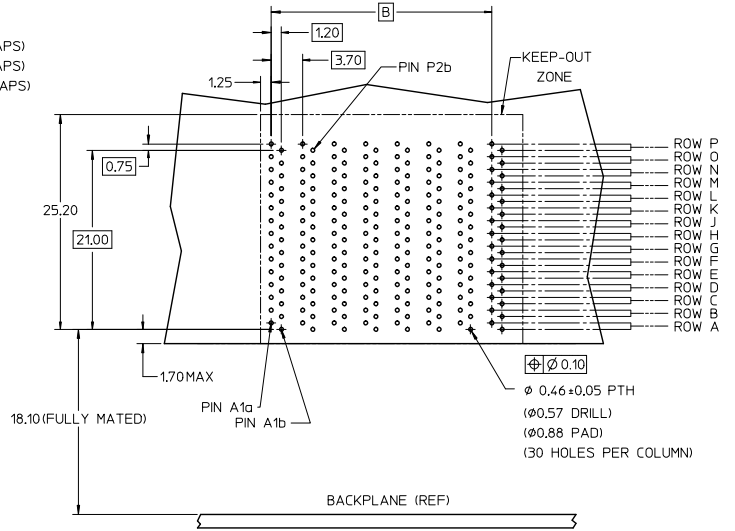
MATERIAL NUMBER	# OF COLUMNS	DIM. 'A' MAX	DIM. 'B'
76040-*0*8	8	29.60	25.90
76040-*0*9	9	33.30	29.60
76040-*0*0	10	37.00	33.30

76040-\*0\*\*

MODULE TYPE -- TAIL PLATING TYPE \_\_\_\_\_ # OF COLUMNS/PLATING  
 UNGUIDED -- MATTE TIN (FORMERLY TIN/LEAD) = 0  
 UNGUIDED -- MATTE TIN = 1

POLARIZATION KEY ORIENTATION \_\_\_\_\_  
 0 = NO KEY

08 = 8 COL 30 GOLD  
 09 = 9 COL 30 GOLD  
 10 = 10 COL 30 GOLD  
 48 = 8 COL 10 GOLD (MAPS)  
 49 = 9 COL 10 GOLD (MAPS)  
 40 = 10 COL 10 GOLD (MAPS)



DAUGHTERCARD HOLE PATTERN (CONNECTOR SIDE)

SEE SHEET 1 IEC NO: UCP2013-4288 DRAWN BY: PIPPLE 2013/04/09 CHECKED BY: CHIKOMOLFE 2013/04/09 APPROVED BY: APPERSMILLER 2013/06/26	QUALITY SYMBOLS	GENERAL TOLERANCES (UNLESS SPECIFIED)	DIMENSION STYLE	SCALE	DESIGN UNITS	THIRD ANGLE PROJECTION
	▽=0	mm INCH	MM ONLY	2:1	METRIC	
	▽=0.13	4 PLACES ± --- ± ---	DRAWN BY DATE	TITLE		
	▽=0.25	3 PLACES ± --- ± ---	MCARRANZA 3/20/06	I-TRAC DAUGHTERCARD 15 ROW UNGUIDED SIGNAL MODULE		
▽=0	2 PLACES ± 0.13 ± ---	CHECKED BY DATE	<b>molex</b> SD-76040-001 SHEET NO. 2 OF 2			
▽=0	1 PLACE ± 0.25 ± ---	JLAURX 3/21/06				
▽=0	0 PLACE ± --- ± ---	APPROVED BY DATE	MATERIAL NO. DOCUMENT NO.			
		ANGULAR ±1/2°	SEE CHART DRAFT WHERE APPLICABLE MUST REMAIN WITHIN DIMENSIONS			
			THIS DRAWING CONTAINS INFORMATION THAT IS PROPRIETARY TO MOLEX INCORPORATED AND SHOULD NOT BE USED WITHOUT WRITTEN PERMISSION			