

Excellent Integrated System Limited

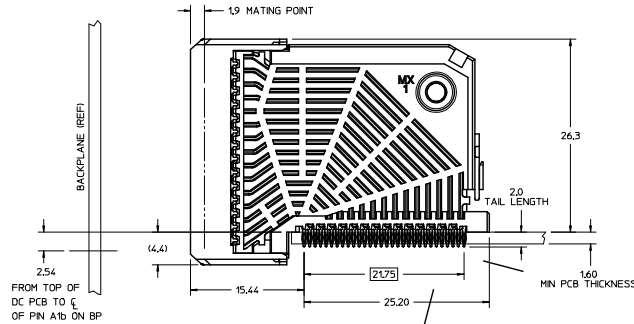
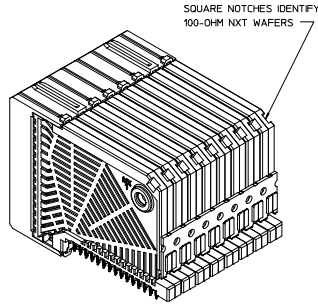
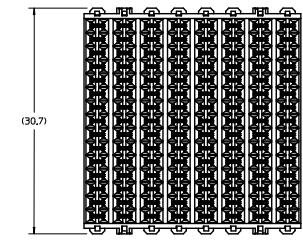
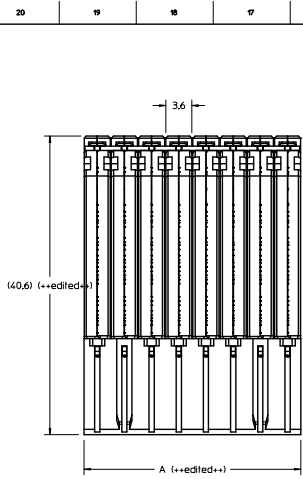
Stocking Distributor

Click to view price, real time Inventory, Delivery & Lifecycle Information:

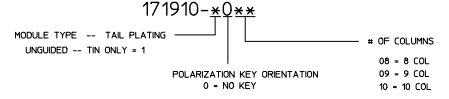
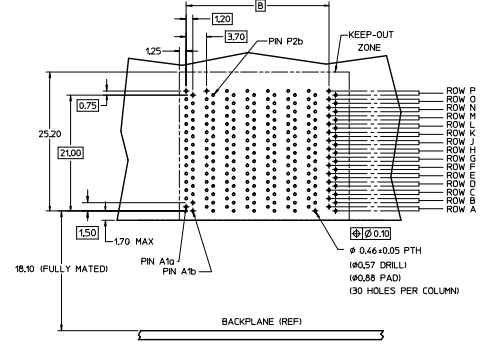
[Molex Connector Corporation](#)
[0760403108](#)

For any questions, you can email us directly:

sales@integrated-circuit.com



MATERIAL NUMBER	# OF COLUMNS	DIM. 'A' MAX	DIM. 'B'
171910-1008	8	29.60	25.90
171910-1009	9	33.30	29.60
171910-1010	10	37.00	33.30



- NOTES:
1. MATERIALS:
HOUSING - LIQUID CRYSTAL POLYMER (LCP) GLASS-FILLED, UL94V-0.
TERMINALS - HIGH PERFORMANCE COPPER ALLOY.
 2. FINISH:
30 UIN MIN GOLD IN CONTACT AREA, SELECTIVE TIN ON PCB TAILS, NICKEL OVERALL.
 3. REFER TO MOLEX PRODUCT SPEC PS-75710-9999 FOR PERFORMANCE SPECIFICATIONS.
 4. PRODUCT IS PACKAGED PER PK-70873-608.
 5. THIS PART CONFORMS TO CLASS B REQUIREMENTS OF COSMETIC SPEC PS-45499-002.

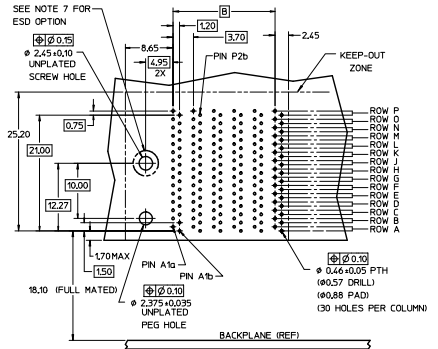
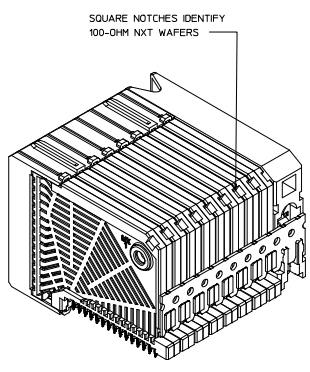
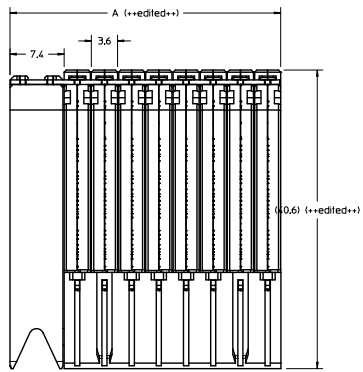
QUALITY SYMBOLS	GENERAL TOLERANCES (UNLESS SPECIFIED)	DIMENSION STYLE		SCALE	DESIGN UNITS	THIRD ANGLE PROJECTION
		MM ONLY	METRIC			
▽=0	4 PLACES ± 0.10	mm	INCH	4:1	METRIC	THIRD ANGLE PROJECTION
▽=0	3 PLACES ± 0.20	mm	INCH			
	2 PLACES ± 0.30	mm	INCH			
	1 PLACE ± 0.50	mm	INCH			
	ANGULAR ± 5°					

INITIAL RELEASE: ECN 10/2013-2975, 2013/01/18, DRAWN BY: KHUGHES, 2013/01/11, CHECKED BY: J. BINGHAM, 2014/01/14, APPROVED BY: J. BINGHAM, 2013/03/01, MATERIAL NO: SEE CHART, DOCUMENT NO: SD-171910-0001, SHEET NO: 1 OF 1

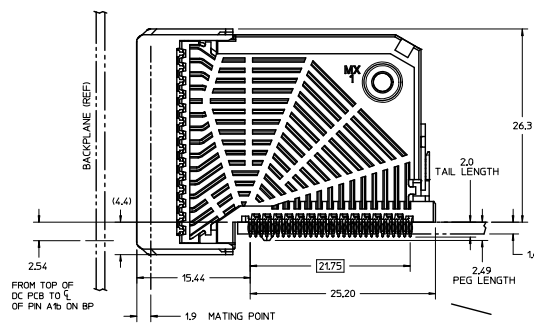
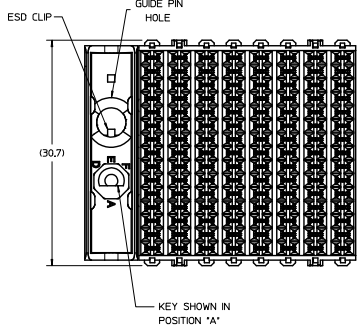
DRAFT WHERE APPLICABLE MUST REMAIN WITHIN DIMENSIONS

THIS DRAWING CONTAINS INFORMATION THAT IS PROPRIETARY TO MOLEX INCORPORATED AND SHOULD NOT BE USED WITHOUT WRITTEN PERMISSION

MATERIAL NUMBER	# OF COLUMNS	DIM 'A' MAX	DIM 'B'
171910-3*08	8	37.00	25.90
171910-3*09	9	40.70	29.60
171910-3*10	10	44.40	33.30



(CONNECTOR SIDE)
DAUGHTERCARD HOLE PATTERN



171910-***
MODULE TYPE -- TAL PLATING
GUIDE LEFT -- TIN ONLY = 3

OF COLUMNS
06 = 6 COL
08 = 8 COL
09 = 9 COL
10 = 10 COL
56 = 6 COL W/ESD CLIP
58 = 8 COL W/ESD CLIP
59 = 9 COL W/ESD CLIP
50 = 10 COL W/ESD CLIP

POLARIZATION KEY ORIENTATION
0 = NO KEY
1 = A 5 = E
2 = B 6 = F
3 = C 7 = G
4 = D 8 = H

- NOTES:
1. MATERIALS:
HOUSING - LIQUID CRYSTAL POLYMER (LCP) GLASS-FILLED, UL94V-0.
TERMINALS - HIGH PERFORMANCE COPPER ALLOY.
2. FINISH:
30 μIN MIN GOLD IN CONTACT AREA, SELECTIVE TIN ON PCB TAILS, NICKEL OVERALL.
3. REFER TO MOLEX PRODUCT SPEC PS-75710-999 FOR PERFORMANCE SPECIFICATIONS.
4. PRODUCT IS PACKAGED PER PK-70873-608.
5. THIS PART CONFORMS TO CLASS B REQUIREMENTS OF COSMETIC SPEC PS-45499-002.
6. GUIDED PARTS TO BE SHIPPED WITH 2-32 TYPE AB SELF-TAPPING SCREW P/N 73726-0000.
7. FOR GROUNDED GUIDE MODULES USE DIA 2.45+/-0.10 (PTH), DIA 2.58 (DRILL) AND DIA 4.50 (PAD).

QUALITY SYMBOLS	GENERAL TOLERANCES (UNLESS SPECIFIED)		DIMENSION STYLE		SCALE	DESIGN UNITS	THIRD ANGLE PROJECTION
	mm	INCH	MM ONLY	DATE			
4 PLACES ±0.10	±0.10	±0.004	DATE	TITLE	4:1	METRIC	THIRD ANGLE PROJECTION
3 PLACES ±0.20	±0.20	±0.008	DATE				
2 PLACES ±0.30	±0.30	±0.012	DATE				
1 PLACE ±0.50	±0.50	±0.020	DATE				
ANGULAR ±5°	±5°	±0.0005	DATE				

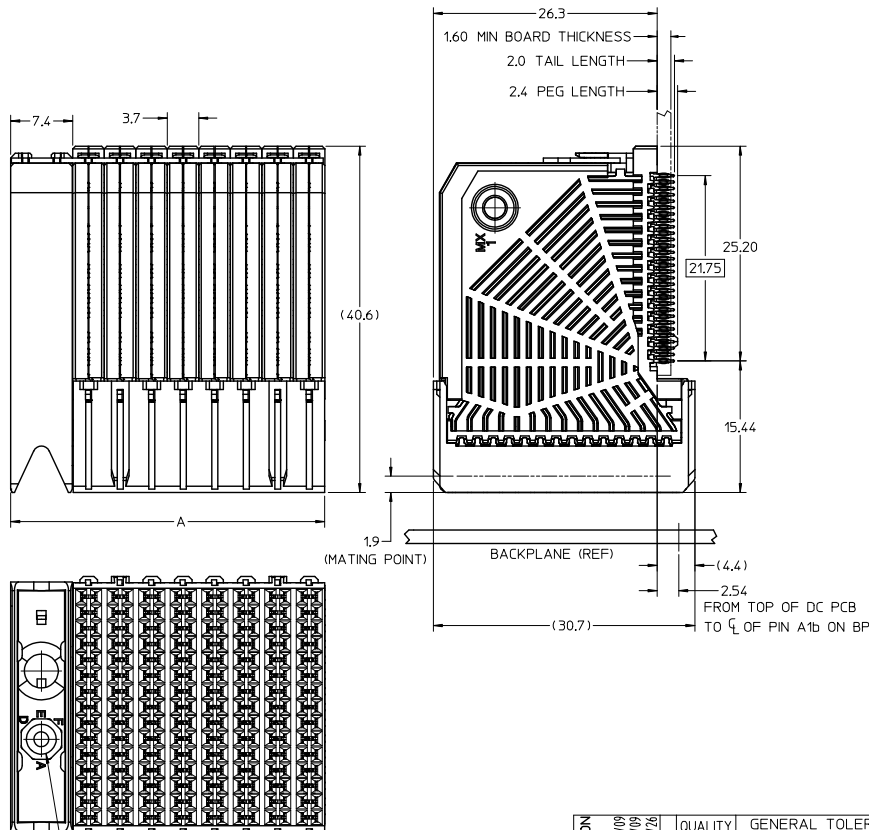
DRAWN BY: KHUGHES 2013/01/10
CHECKED BY: JBINHAM 2013/03/01
APPROVED BY: JBINHAM 2013/03/01

DRAFT WHERE APPLICABLE MUST REMAIN WITHIN DIMENSIONS

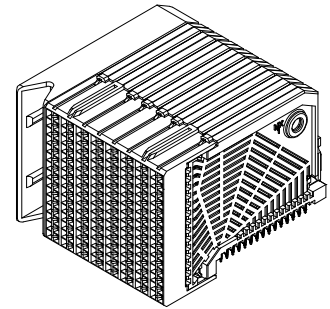
SEE CHART

SD-171910-0002

1 OF 1



- NOTES:
1. MATERIALS: HOUSING - LIQUID CRYSTAL POLYMER (LCP)
GLASS-FILLED, UL 94V-0
TERMINALS - HIGH PERFORMANCE COPPER ALLOY
 2. FINISH: SELECTIVE 10 MICROINCH GOLD (MAPS) OR 30 MICROINCH GOLD IN CONTACT AREA.
SELECTIVE MATTE TIN ON PCB TAILS,
NICKEL OVERALL.
 3. REFER TO MOLEX PRODUCT SPEC PS-75710-999 FOR PERFORMANCE SPECIFICATIONS.
 4. PRODUCT IS PACKAGED PER PK-70873-608.
 5. THIS PART CONFORMS TO CLASS B REQUIREMENTS OF COSMETIC SPEC PS-45499-002.
 6. GUIDED PARTS TO BE SHIPPED WITH 2-32 TYPE AB SELF-TAPPING SCREW P/N 73726-0000.
 7. FOR GROUNDED GUIDE MODULES USE DIA 2.45+/-0.10 (PTH), DIA 2.58 (DRILL), AND DIA 4.50 (PAD).
 8. MAPS (MOLEX ADVANCED PLATING SYSTEM).



KEY SHOWN IN POSITION 'NONE'

LEAD FREE CONVERSION EC NO: UCF2013-4288 DRAWN BY: PPFL 2013/04/09 CHKD BY: MLLP 2013/04/09 APPR: SMILLER 2013/06/26	QUALITY SYMBOLS ▽=0 ▽=0 ▽=0	GENERAL TOLERANCES (UNLESS SPECIFIED)		DIMENSION STYLE MM ONLY		SCALE 3:1	DESIGN UNITS METRIC	THIRD ANGLE PROJECTION	
		mm	INCH	DRAWN BY MCARRANZA	DATE 3/20/06	TITLE I-TRAC DAUGHTERCARD 15 ROW GUIDE LEFT SIGNAL MODULE			
REV	DESCRIPTION	4 PLACES ±	±	CHECKED BY JLAURX	DATE 3/21/06				
		3 PLACES ±	±	APPROVED BY JLAURX	DATE 3/21/06				
		2 PLACES ±	±0.13	MATERIAL NO. SEE CHART		DOCUMENT NO. SD-76040-002		SHEET NO. 1 OF 2	
		1 PLACE ±	±0.25	ANGULAR ±1/2°		THIS DRAWING CONTAINS INFORMATION THAT IS PROPRIETARY TO MOLEX INCORPORATED AND SHOULD NOT BE USED WITHOUT WRITTEN PERMISSION			
		0 PLACE ±	±	DRAFT WHERE APPLICABLE MUST REMAIN WITHIN DIMENSIONS					

MATERIAL NUMBER	# OF COLUMNS	DIM. "A" MAX	DIM. "B"
76040-***8	8	37,00	25,90
76040-***9	9	40,70	29,60
76040-***0	10	44,40	33,30

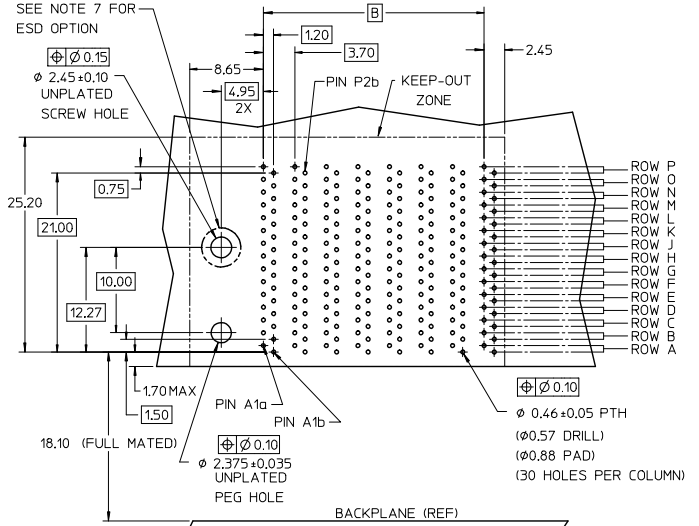
76040-***

MODULE TYPE -- TAIL PLATING TYPE
 GUIDE LEFT -- MATTE TIN (FORMERLY TIN/LEAD) = 2
 GUIDE LEFT -- MATTE TIN = 3

POLARIZATION KEY ORIENTATION

- 0 = NO KEY
- 1 = A 5 = E
- 2 = B 6 = F
- 3 = C 7 = G
- 4 = D 8 = H

- # OF COLUMNS/PLATING
- 08 = 8 COL 30 GOLD
- 09 = 9 COL 30 GOLD
- 10 = 10 COL 30 GOLD
- 58 = 8 COL W/ESD CLIP 30 GOLD
- 59 = 9 COL W/ESD CLIP 30 GOLD
- 48 = 8 COL 10 GOLD (MAPS)
- 49 = 9 COL 10 GOLD (MAPS)
- 40 = 10 COL 10 GOLD (MAPS)
- 78 = 8 COL W/ESD CLIP 10 GOLD (MAPS)
- 79 = 9 COL W/ESD CLIP 10 GOLD (MAPS)
- 70 = 10 COL W/ESD CLIP 10 GOLD (MAPS)



DAUGHTERCARD HOLE PATTERN (CONNECTOR SIDE)

SEE SHEET 1 IEC NO: UCP2013-4288 DRAWN BY: DRINKWATIPPLE 2013/04/09 CHECKED BY: CHIKROMOLFE 2013/04/09 APPROVED BY: APPERSMILLER 2013/06/26	QUALITY SYMBOLS	GENERAL TOLERANCES (UNLESS SPECIFIED)	DIMENSION STYLE	SCALE	DESIGN UNITS	THIRD ANGLE PROJECTION
		mm INCH	MM ONLY	2:1	METRIC	
	4 PLACES \pm --- \pm --- 3 PLACES \pm --- \pm --- 2 PLACES ± 0.13 \pm --- 1 PLACE ± 0.25 \pm --- 0 PLACE \pm \pm	DRAWN BY: MCARRANZA 3/20/06 CHECKED BY: JLAURX 3/21/06 APPROVED BY: JLAURX 3/21/06	TITLE			
	ANGULAR $\pm 1/2^\circ$ DRAFT WHERE APPLICABLE MUST REMAIN WITHIN DIMENSIONS	MATERIAL NO. SEE CHART	DOCUMENT NO. SD-76040-002	SHEET NO. 2 OF 2	I-TRAC DAUGHTERCARD 15 ROW GUIDE LEFT SIGNAL MODULE molex	