

Excellent Integrated System Limited

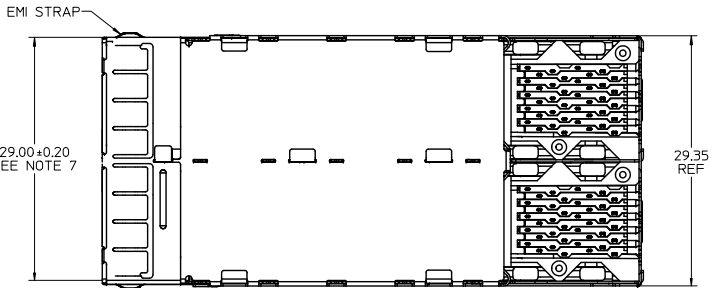
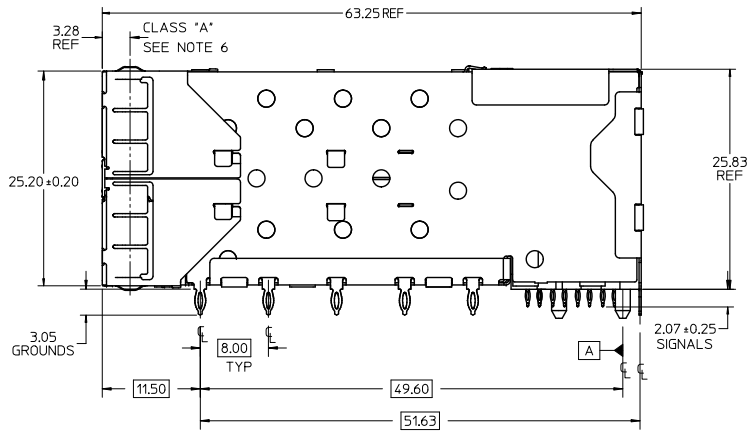
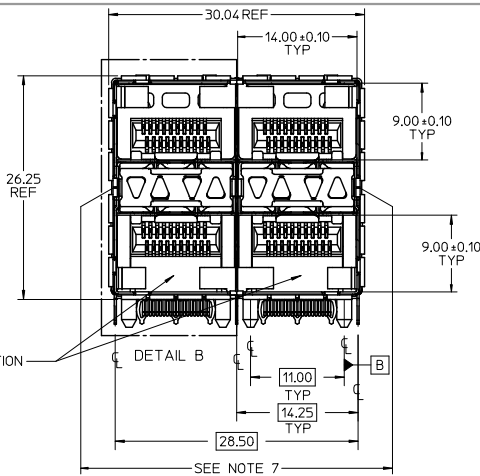
Stocking Distributor

Click to view price, real time Inventory, Delivery & Lifecycle Information:

[Molex Connector Corporation](#)
[0760455003](#)

For any questions, you can email us directly:

sales@integrated-circuit.com

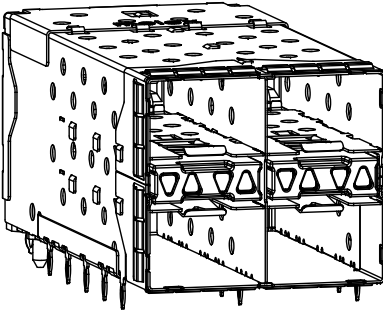


NOTES

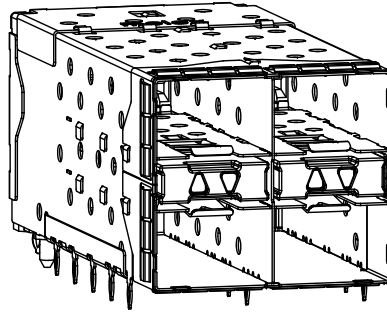
- MATERIAL:
 - CAGE: NICKEL SILVER, THICKNESS: 0.25mm
 - CONNECTOR HOUSING: GLASS FILLED LIQUID CRYSTAL POLYMER (LCP), UL 94V-0, COLOR: BLACK
 - OVERMOLD TERMINAL HOUSING: GLASS FILLED LIQUID CRYSTAL POLYMER (LCP), UL 94V-0, COLOR: BLACK
 - TERMINALS: TIN BRASS
 - EMI GASKET: PHOS-BRONZE
 - LIGHTPIPE HOUSING: ZINC
 - LIGHTPIPER: POLYCARBONATE, COLOR: CLEAR
- FINISHES:
 - TERMINALS: CONTACT AREA: 0.76 MICROMETERS MINIMUM HARD GOLD OVER 1.27 MICROMETERS MINIMUM NICKEL.
 - COMPLIANT TAIL - MATTE TIN/LEAD OPTION: 0.76 TO 1.52 MICROMETERS 90/10 MATTE TIN-LEAD OVER 0.76 MICROMETERS MINIMUM NICKEL.
 - COMPLIANT TAIL - MATTE TIN OPTION: 0.76 TO 1.52 MICROMETERS MATTE TIN OVER 0.76 MICROMETERS MINIMUM NICKEL.
 - LIGHTPIPE HOUSING: 80 MICROMETERS MINIMUM NICKEL OVER COPPER
- REFER TO PS-75310-001 PRODUCT SPEC FOR ALL ELECTRICAL, MECHANICAL, AND ENVIRONMENTAL SPECIFICATIONS.
- LIGHT PIPE PAD LAYOUT IS FOR 0805 LOW-PROFILE LED PACKAGE, FOR OTHER RECOMMENDED LAYOUTS REFER TO MOLEX'S REPORT TS-75310-001.
- REFER TO PK-75714-001 FOR ALL PACKAGING SPECIFICATIONS.
- THE SURFACES CONFORM TO THE MOLEX COSMETIC SPEC PS-45499-002. ALL EXTERIOR SURFACES TO BE CLASS 'B' SURFACE EXCEPT THE UNDERSIDE (CLASS 'C') OF THE CAGE (SIDE TOWARD THE PCB) AND AS OTHERWISE NOTED.
- THE OVERALL CAGE WIDTH AT THE VERTICAL CENTER OF THE FRONT EDGE WILL FALL WITHIN THIS DIMENSION: 29.30+/-0.30 MM. THIS PORTION OF THE CAGE WILL FLEX INWARD AS THE CAGE IS BEING INSERTED INTO THE BEZEL OPENING.
- REFER TO AS-76090-001 FOR HIGH SPEED ROUTING RECOMMENDATIONS.
- DATE CODE LOCATION IS SHOWN ABOVE.
 - DATE CODE FORMAT: DDDY MX A1
 - DDD = DAY OF THE YEAR
 - Y = YEAR
 - MX = MOLEX
 - A = ALPHA CHARACTER - INDICATES MANUFACTURING LINE
 - 1 = NUMERIC CHARACTER - INDICATES PRODUCTION SHIFT

PART NUMBER	DESCRIPTION	VIEW	COMPLIANT TAIL PLATING
760450001	4 LIGHT PORTS	SEE PG 2	MATTE TIN / LEAD
760450002	INNER 2 PORTS	SEE PG 2	MATTE TIN / LEAD
760450003	OUTER 2 PORTS	SEE PG 2	MATTE TIN / LEAD
760455001	4 LIGHT PORTS	SEE PG 2	MATTE TIN
760455002	INNER 2 PORTS	SEE PG 2	MATTE TIN
760455003	OUTER 2 PORTS	SEE PG 2	MATTE TIN

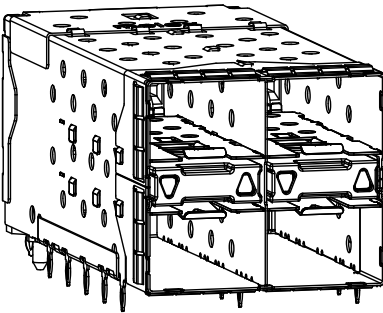
ADD NOTE 8 & 9 EC NO: UC2011-2594 DRAWN BY: DRWINWOLFE CHECKED BY: CHKOBARKER APPROVED BY: APPR:SMILLER DATE: 2/11/02/28 DATE: 2/11/02/28 DATE: 2/11/09/20	QUALITY SYMBOLS □=0 □=0 □=0	GENERAL TOLERANCES (UNLESS SPECIFIED) mm INCH 4 PLACES ± --- ± --- 3 PLACES ± --- ± --- 2 PLACES ± 0.13 ± --- 1 PLACE ± 0.25 ± --- ANGULAR ± 5°	DIMENSION STYLE MM ONLY DRAWN BY: MSANDBERG CHECKED BY: JLONG APPROVED BY: RNELSON DATE: 10-16-06 DATE: 10-16-06 DATE: 10-16-06	SCALE: 3:1	DESIGN UNITS: METRIC	THIRD ANGLE PROJECTION
				DRAFT WHERE APPLICABLE MUST REMAIN WITHIN DIMENSIONS		



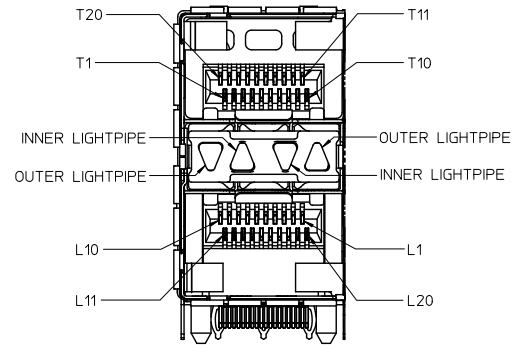
760450001 AND 760455001
WITH INNER AND OUTER LIGHTPIPES



760450002 AND 760455002
WITH INNER LIGHTPIPES

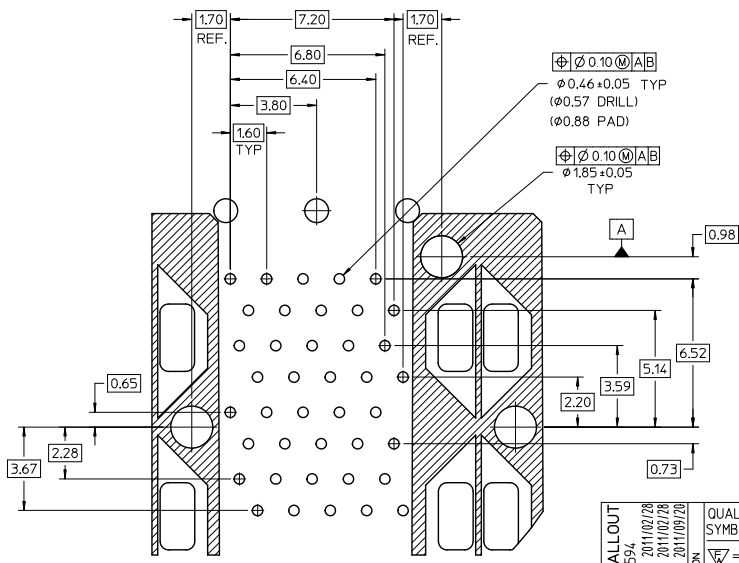
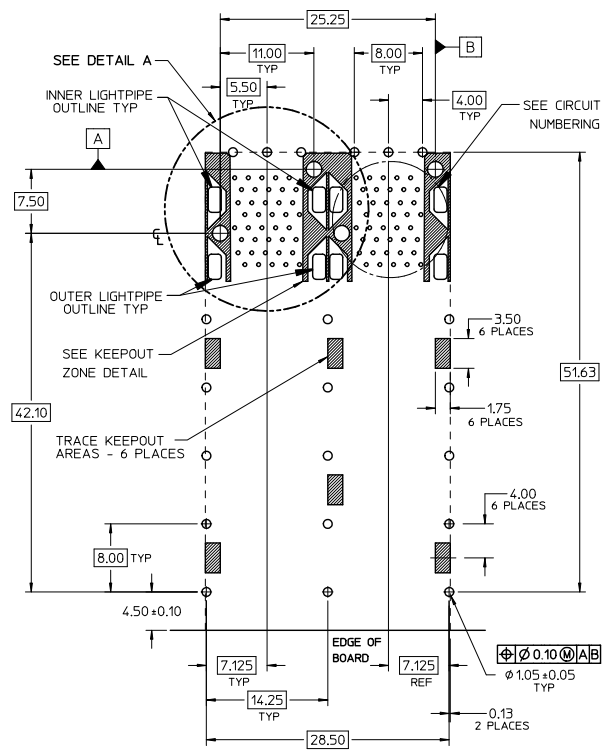
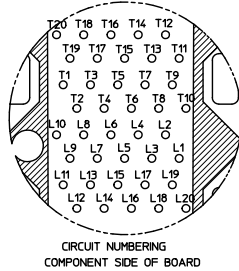


760450003 AND 760455003
WITH OUTER LIGHTPIPES



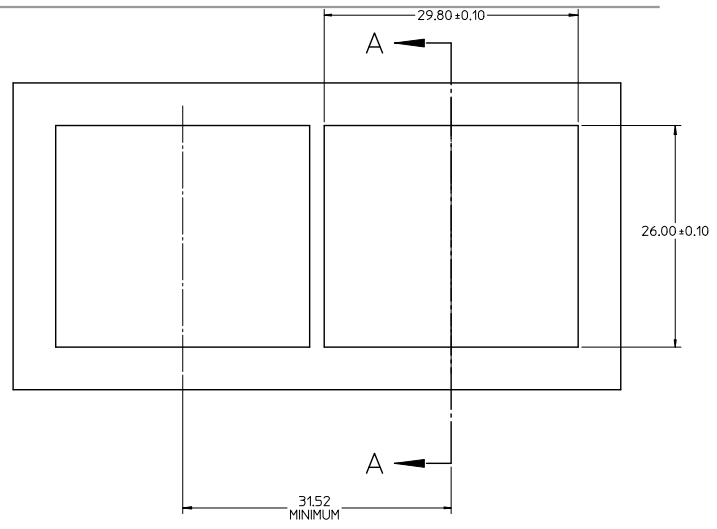
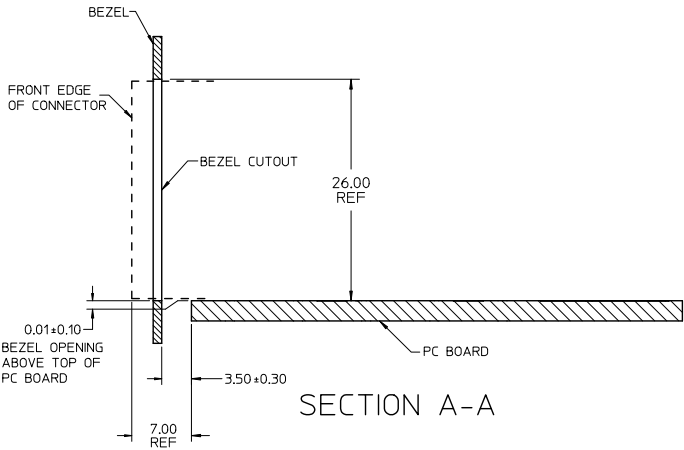
CIRCUIT NUMBERING
AND LIGHTPIPE
IDENTIFICATION
DETAIL B
SCALE 4:1

ADD DETAIL B EC NO: UCP2011-2594 DRAWN BY: DRINKWOLFE CHECKED BY: CHIKOBARKER APPR: SMILLER	QUALITY SYMBOLS ∇=0 ∇=0 ∇=0	GENERAL TOLERANCES (UNLESS SPECIFIED)		DIMENSION STYLE MM ONLY		SCALE 3:1	DESIGN UNITS METRIC	THIRD ANGLE PROJECTION			
		4 PLACES ± --- ± ---	3 PLACES ± --- ± ---	DRAWN BY MSANDBERG	DATE 10-16-06	TITLE STACKED SFP+ 2X2 ASS'Y WITH METAL EMI GASKET AND LIGHTPIPES					
		2 PLACES ± 0.13 ± ---	1 PLACE ± 0.25 ± ---	CHECKED BY JLONG	DATE 10-16-06	APPROVED BY RNELSON					
		ANGULAR ± 5°		MATERIAL NO. SEE TABLE		DOCUMENT NO. SD-76045-001		SHEET NO. 2 OF 4			
DRAFT WHERE APPLICABLE MUST REMAIN WITHIN DIMENSIONS				THIS DRAWING CONTAINS INFORMATION THAT IS PROPRIETARY TO MOLEX INCORPORATED AND SHOULD NOT BE USED WITHOUT WRITTEN PERMISSION							

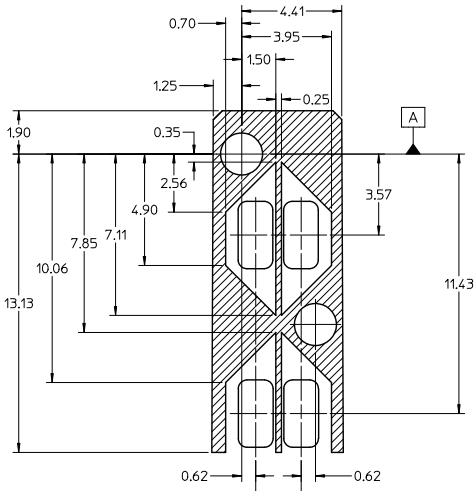


RECOMMENDED PCB LAYOUT - COMPONENT SIDE
RECOMMENDED PCB THICKNESS - 2.36 MM (0.093 INCH)
THE ENTIRE AREA OF THE CONNECTOR FOOTPRINT
TO BE CONSIDERED THE KEEPOUT AREA FOR COMPONENTS
(OTHER THAN LIGHTPIPE LED'S).
THIS AREA IS INDICATED BY THE DASHED LINE

CHG DETAIL CALLOUT EC NO: UCP2011-2594 DRAWN BY: DRW:WOLFE CHECKED BY: CHK:BARBER APPROVED BY: APPR:SMILLER DATE: 2011/02/28 DATE: 2011/02/28 DATE: 2011/09/20	QUALITY SYMBOLS	GENERAL TOLERANCES (UNLESS SPECIFIED)	DIMENSION STYLE	SCALE	DESIGN UNITS	THIRD ANGLE PROJECTION
	∇=0 ∇=0 ∇=0	4 PLACES ± --- ± --- 3 PLACES ± --- ± --- 2 PLACES ± 0.13 ± --- 1 PLACE ± 0.25 ± --- ANGULAR ± 5°	MM ONLY DRAWN BY: MSANDBERG CHECKED BY: JLONG APPROVED BY: RNELSON DATE: 10-16-06 DATE: 10-16-06 DATE: 10-16-06	3:1	METRIC	M THIRD ANGLE PROJECTION
	DRAFT WHERE APPLICABLE MUST REMAIN WITHIN DIMENSIONS	SEE TABLE	MATERIAL NO. DOCUMENT NO.	MOLEX INCORPORATED SD-76045-001	SHEET NO. 3 OF 4	
	THIS DRAWING CONTAINS INFORMATION THAT IS PROPRIETARY TO MOLEX INCORPORATED AND SHOULD NOT BE USED WITHOUT WRITTEN PERMISSION	SIZE C				



BEZEL CUT-OUT CENTER SPACING DETAIL
BEZEL THICKNESS: 0.8 - 2.6



KEEPOUT ZONE DETAIL - LIGHTPIPE AND OTHER ZONES
SCALE 8:1

THE HATCHED AREA IN THIS VIEW INDICATES ZONES THAT ARE OCCUPIED BY THE PLASTIC HOUSING THAT SEATS AGAINST THE PCB AND BY THE VERTICAL METAL CAGE WALL THAT STOPS JUST SHORT OF THE PCB

SEE SHEET 1 EC NO: UCP2011-2594 DRAWN BY: DRINKMOLFE 2/11/02/28 CHECKED BY: CHIKOBARKER 2/11/02/28 APPROVED BY: APPR:SMILLER 2/11/09/20 REV:	QUALITY SYMBOLS	GENERAL TOLERANCES (UNLESS SPECIFIED)	DIMENSION STYLE	SCALE	DESIGN UNITS	THIRD ANGLE PROJECTION	
	∇=0 ∇=0 ∇=0	4 PLACES ± --- 3 PLACES ± --- 2 PLACES ± 0.13 1 PLACE ± 0.25 ANGULAR ± 5°	MM ONLY DRAWN BY: MSANDBERG DATE: 10-16-06 CHECKED BY: JLONG DATE: 10-16-06 APPROVED BY: RNELSON DATE: 10-16-06	3:1	METRIC		
	DRAFT WHERE APPLICABLE MUST REMAIN WITHIN DIMENSIONS	SEE TABLE	MATERIAL NO. DOCUMENT NO. SD-76045-001 SHEET NO. 4 OF 4	MOLEX INCORPORATED			
	THIS DRAWING CONTAINS INFORMATION THAT IS PROPRIETARY TO MOLEX INCORPORATED AND SHOULD NOT BE USED WITHOUT WRITTEN PERMISSION						