

Excellent Integrated System Limited

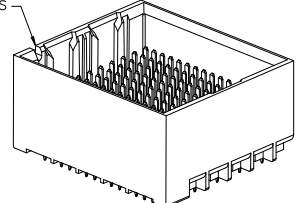
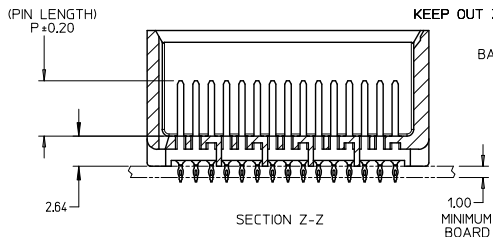
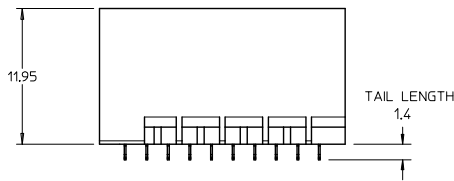
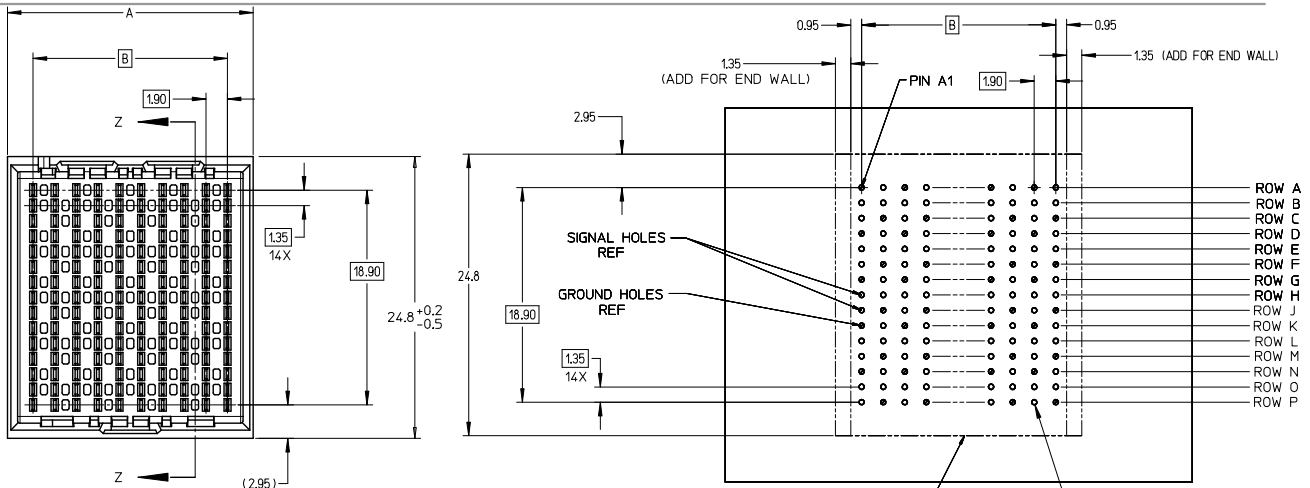
Stocking Distributor

Click to view price, real time Inventory, Delivery & Lifecycle Information:

[Molex Connector Corporation](#)
[0760550613](#)

For any questions, you can email us directly:

sales@integrated-circuit.com



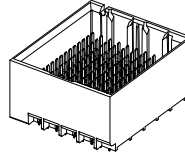
- NOTES:
1. MATERIALS: HOUSING - LIQUID CRYSTAL POLYMER (LCP)
GLASS-FILLED, UL94V-0
TERMINALS - HIGH PERFORMANCE COPPER ALLOY
 2. FINISH: 5 MICROINCH MINIMUM GOLD FLASH OVER 20 MICROINCH MINIMUM Pd-Ni IN CONTACT AREA, SELECTIVE TIN ON PCB TAILS. NICKEL OVERALL.
 3. REFER TO MOLEX PRODUCT SPECIFICATION PS-76060-999 FOR PERFORMANCE SPECIFICATIONS AND ADDITIONAL PCB INFORMATION.
 4. THIS PART CONFORMS TO CLASS B REQUIREMENTS OF MOLEX COSMETIC SPEC PS-45499-002.
 5. PARTS PACKAGED PER PK-70873-7702.
 6. SEE SHEETS 2 & 3 FOR PART NUMBERS AND BOARD RELATIONSHIPS.
 7. MATES WITH IMPACT DC SERIES NO. 76060.
 8. REFER TO MOLEX PCB ROUTING GUIDE AS-76060-990 FOR ANTIPAD AND ROUTING RECOMMENDATIONS.
 9. *THESE DIMENSIONS REPRESENT THE AREA NEEDED TO ACCOMMODATE CONNECTOR INSERTION AND REPAIR ON THE PC BOARD. THIS IS REFERRED TO AS THE 'CONNECTOR KEEP OUT ZONE' AND DOES NOT REPRESENT THE ACTUAL PERIMETER OF THE CONNECTOR. WHEN LAYING OUT A PC BOARD FOR CONNECTORS STACKED TOGETHER, USE THE 1.9mm PROGRESSION.*

Pd-Ni
PLATING

INITIAL RELEASE EC NO: UCP2016-2332 DRWNSVANG01 2015/12/09 CHKCHMOLFE 2015/12/09 APPR:SMILLER 2015/12/17	QUALITY SYMBOLS ∇=0 ∇=0 ∇=0	GENERAL TOLERANCES (UNLESS SPECIFIED)		DIMENSION STYLE MM ONLY		SCALE 4:1	DESIGN UNITS METRIC	THIRD ANGLE PROJECTION	
			mm	INCH	DRAWN BY SVANG01	DATE 2015/12/09	TITLE IMPACT 5 PAIR HEADER UNGUIDED PDNI ASSEMBLY SALES DRAWING		
		4 PLACES ± ---	± ---	± ---	CHECKED BY MWOLFE	DATE 2015/12/09			
		3 PLACES ± ---	± ---	± ---	APPROVED BY SMILLER	DATE 2015/12/17			
			ANGULAR ±1/2°		MATERIAL NO.	DOCUMENT NO.	SHEET NO.		
			DRAFT WHERE APPLICABLE MUST REMAIN WITHIN DIMENSIONS		SEE TABLE	RSD-173430-001	1 OF 3		
			THIS DRAWING CONTAINS INFORMATION THAT IS PROPRIETARY TO MOLEX INCORPORATED AND SHOULD NOT BE USED WITHOUT WRITTEN PERMISSION						

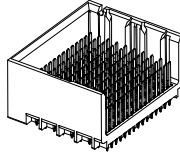
PART NUMBER TABLE

MATERIAL NUMBER	# OF COLUMNS	# OF DIFF PAIR	DIM 'A'	DIM 'B'	DUAL END WALL OPTION
173430-*12*	10	50	21.7	17.10	
173430-*22*	12	60	25.5	20.90	
173430-*72*	14	70	29.3	24.70	
173430-*62*	16	80	33.1	28.50	



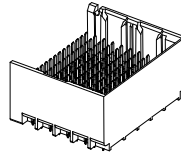
DUAL END
WALL OPTION

MATERIAL NUMBER	# OF COLUMNS	# OF DIFF PAIR	DIM 'A'	DIM 'B'	LEFT END WALL OPTION
173430-*11*	10	50	20.3	17.10	
173430-*21*	12	60	24.1	20.90	
173430-*71*	14	70	27.9	24.70	
173430-*61*	16	80	31.7	28.50	



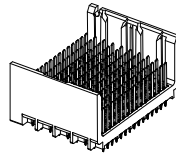
LEFT END
WALL OPTION

MATERIAL NUMBER	# OF COLUMNS	# OF DIFF PAIR	DIM 'A'	DIM 'B'	RIGHT END WALL OPTION
173430-*13*	10	50	20.3	17.10	
173430-*23*	12	60	24.1	20.90	
173430-*73*	14	70	27.9	24.70	
173430-*63*	16	80	31.7	28.50	



RIGHT END
WALL OPTION

MATERIAL NUMBER	# OF COLUMNS	# OF DIFF PAIR	DIM 'A'	DIM 'B'	OPEN WALL OPTION
173430-*10*	10	50	18.9	17.10	
173430-*20*	12	60	22.7	20.90	
173430-*70*	14	70	26.5	24.70	
173430-*60*	16	80	30.3	28.50	



OPEN
WALL OPTION

SEE SHEET 1 EC NO: UCF2016-2332 DRAWN BY: SVANG01 CHKD BY: MWOLFE APPR: SMILLER	QUALITY SYMBOLS ∇=0 ∇=0 ∇=0	GENERAL TOLERANCES (UNLESS SPECIFIED)		DIMENSION STYLE MM ONLY		SCALE 2:1	DESIGN UNITS METRIC	THIRD ANGLE PROJECTION	
		4 PLACES ±	mm	INCH	DRAWN BY SVANG01	DATE 2015/12/09	TITLE IMPACT 5 PAIR HEADER UNGUIDED PDNI ASSEMBLY SALES DRAWING molex MATERIAL NO. RSD-173430-001 DOCUMENT NO. RSD-173430-001 SHEET NO. 2 OF 3		
		3 PLACES ±	mm	INCH	CHECKED BY	DATE			
		2 PLACES ±	0.13	±	MWOLFE	2015/12/09			
		1 PLACE ±	0.25	±	APPROVED BY	DATE			
0 PLACE ±	±	±	SMILLER	2015/12/17					
ANGULAR ±1/2°		DRAFT WHERE APPLICABLE MUST REMAIN WITHIN DIMENSIONS		SEE TABLE					

PART NUMBER LOGIC

173430-****

MODULE TYPE
1 = UNGUIDED, TIN

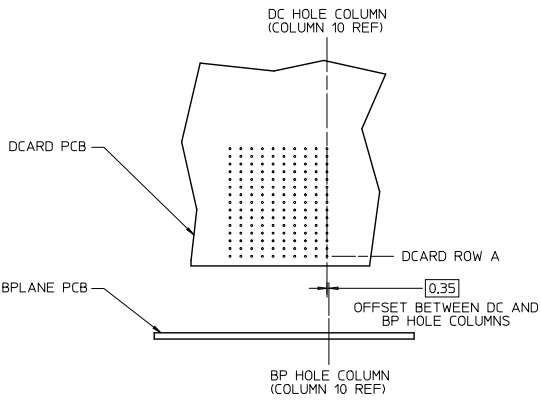
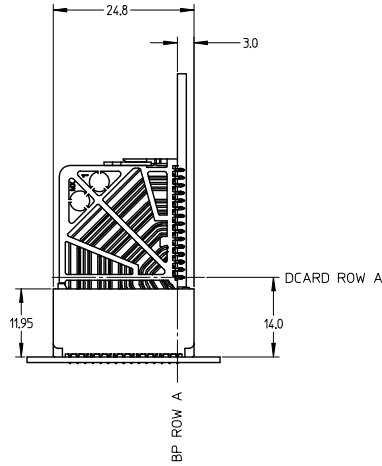
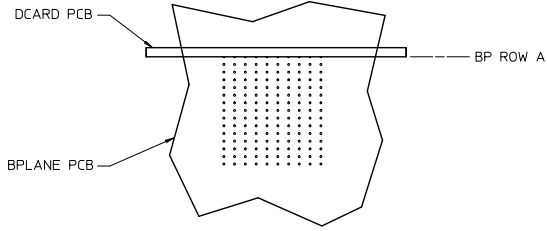
OF COLUMNS
1 = 10 COL
2 = 12 COL
6 = 16 COL
7 = 14 COL

P+PIN LENGTH

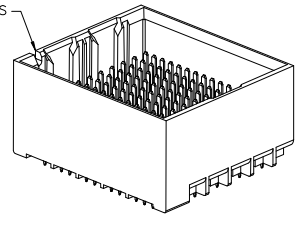
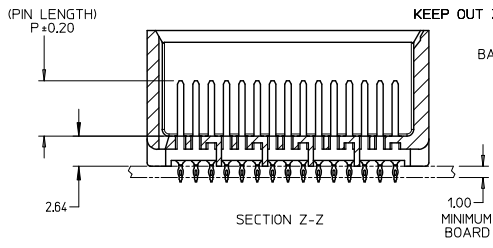
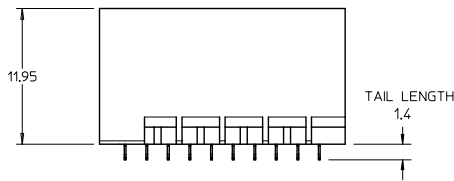
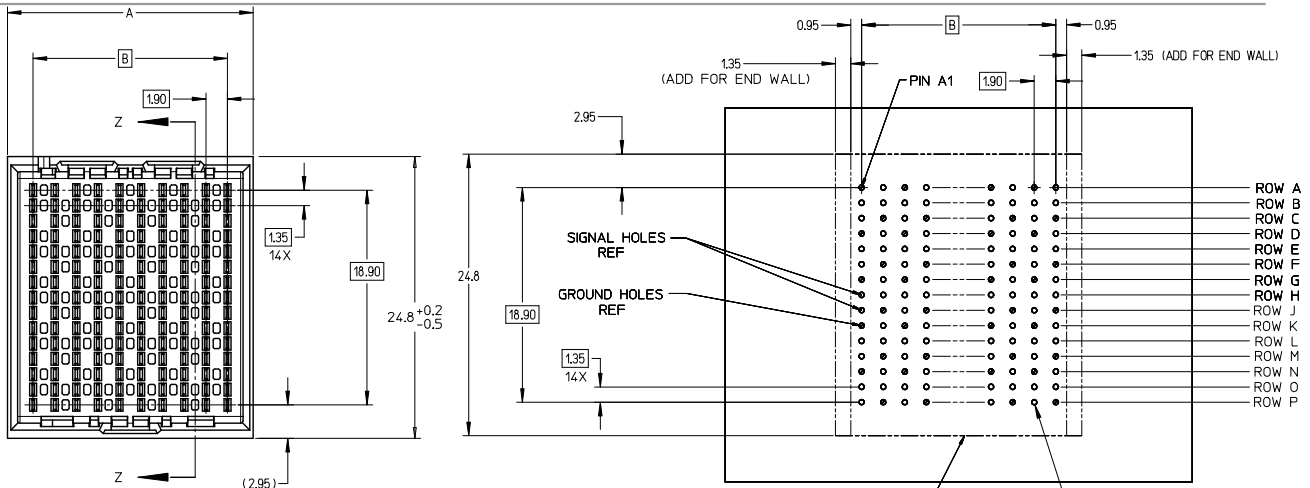
3 = 4.50 (SHORT COMPLIANT, 0.46±0.05 PTH)
4 = 4.90 (SHORT COMPLIANT, 0.46±0.05 PTH)
5 = 5.50 (SHORT COMPLIANT, 0.46±0.05 PTH)
6 = 4.50 (MICRO COMPLIANT, 0.39±0.05 PTH)
7 = 4.90 (MICRO COMPLIANT, 0.39±0.05 PTH)
8 = 5.50 (MICRO COMPLIANT, 0.39±0.05 PTH)

END WALL OPTIONS
0 = OPEN ENDS
1 = LEFT END WALL
2 = DUAL END WALL
3 = RIGHT END WALL

IMPACT 5 PAIR BOARD RELATIONSHIPS



SEE SHEET 1 EC NO: UCP2016-2332 DRAWN BY: DRWNSWANG01 CHK'D BY: CHKDRMOLFE APPR'D BY: APPRSMILLER DATE: 2015/12/09 DATE: 2015/12/17	QUANTITY SYMBOLS □ ○ △	GENERAL TOLERANCES (UNLESS SPECIFIED)		DIMENSION STYLE		SCALE	DESIGN UNITS	THIRD ANGLE PROJECTION		
				MM ONLY		2:1	METRIC			
		4 PLACES	±	---	---	DRAWN BY	DATE	TITLE IMPACT 5 PAIR HEADER UNGUIDED PDNI ASSEMBLY SALES DRAWING molex MATERIAL NO. SEE TABLE DOCUMENT NO. RSD-173430-001 SHEET NO. 3 OF 3		
		3 PLACES	±	---	---	CHECKED BY	DATE			
2 PLACES	±	0.13	---	APPROVED BY	DATE					
1 PLACE	±	0.25	---	MILLER	2015/12/17					
		0 PLACE	±	---	---					
		ANGULAR ±1/2°		DRAFT WHERE APPLICABLE MUST REMAIN WITHIN DIMENSIONS		THIS DRAWING CONTAINS INFORMATION THAT IS PROPRIETARY TO MOLEX INCORPORATED AND SHOULD NOT BE USED WITHOUT WRITTEN PERMISSION				

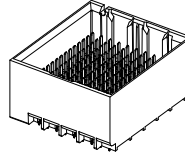


- NOTES:
1. MATERIALS: HOUSING - LIQUID CRYSTAL POLYMER (LCP)
GLASS-FILLED, UL94V-0
TERMINALS - HIGH PERFORMANCE COPPER ALLOY
 2. FINISH: 30μ MIN GOLD IN CONTACT AREA.
SELECTIVE TIN ON PCB TAILS.
NICKEL OVERALL.
 3. REFER TO MOLEX PRODUCT SPECIFICATION PS-76060-999
FOR PERFORMANCE SPECIFICATIONS AND ADDITIONAL PCB INFORMATION.
 4. THIS PART CONFORMS TO CLASS B REQUIREMENTS OF
MOLEX COSMETIC SPEC PS-45499-002.
 5. PARTS PACKAGED PER PK-70873-7702.
 6. SEE SHEETS 2 & 3 FOR PART NUMBERS AND BOARD RELATIONSHIPS.
 7. MATES WITH IMPACT DC SERIES NO. 76060.
 8. REFER TO MOLEX PCB ROUTING GUIDE AS-76060-990 FOR ANTIPAD AND
ROUTING RECOMMENDATIONS.
 9. *THESE DIMENSIONS REPRESENT THE AREA NEEDED TO ACCOMMODATE CONNECTOR
INSERTION AND REPAIR ON THE PC BOARD. THIS IS REFERRED TO AS THE
"CONNECTOR KEEP OUT ZONE" AND DOES NOT REPRESENT THE ACTUAL PERIMETER
OF THE CONNECTOR, WHEN LAYING OUT A PC BOARD FOR CONNECTORS STACKED
TOGETHER, USE THE 1.9mm PROGRESSION.*

CONVERT TO LEAD-FREE EC NO: UCP2015-2078 DRAWN BY: BARRA 2012/11/28 CHKGD: JB INDRAM 2012/12/18 APPR: SMILLER 2012/12/31	QUALITY SYMBOLS 	GENERAL TOLERANCES (UNLESS SPECIFIED)		DIMENSION STYLE MM ONLY		SCALE 4:1	DESIGN UNITS METRIC	THIRD ANGLE PROJECTION			
		4 PLACES ± --- ± ---	3 PLACES ± --- ± ---	DRAWN BY JLAURX	DATE 2007/06/18	TITLE IMPACT 5 PAIR HEADER UNGUIDED ASSEMBLY SALES DRAWING					
		2 PLACES ± 0.13 ± ---	1 PLACE ± 0.25 ± ---	CHECKED BY JLAURX	DATE 2007/06/18	MATERIAL NO.					
		0 PLACE ± ±	ANGULAR ± 1/2°	APPROVED BY JLAURX	DATE 2010/10/15	SEE TABLE		DOCUMENT NO. SD-76055-001	SHEET NO. 1 OF 3		
DRAFT WHERE APPLICABLE MUST REMAIN WITHIN DIMENSIONS		THIS DRAWING CONTAINS INFORMATION THAT IS PROPRIETARY TO MOLEX INCORPORATED AND SHOULD NOT BE USED WITHOUT WRITTEN PERMISSION									

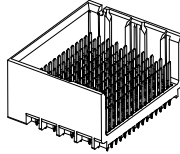
PART NUMBER TABLE

MATERIAL NUMBER	# OF COLUMNS	# OF DIFF PAIR	DIM 'A'	DIM 'B'	DUAL END WALL OPTION
76055- \times 12 \times	10	50	21.7	17.10	
76055- \times 22 \times	12	60	25.5	20.90	
76055- \times 72 \times	14	70	29.3	24.70	
76055- \times 62 \times	16	80	33.1	28.50	



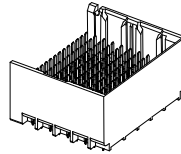
DUAL END
WALL OPTION

MATERIAL NUMBER	# OF COLUMNS	# OF DIFF PAIR	DIM 'A'	DIM 'B'	LEFT END WALL OPTION
76055- \times 11 \times	10	50	20.3	17.10	
76055- \times 21 \times	12	60	24.1	20.90	
76055- \times 71 \times	14	70	27.9	24.70	
76055- \times 61 \times	16	80	31.7	28.50	



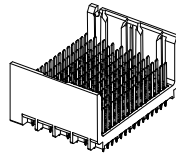
LEFT END
WALL OPTION

MATERIAL NUMBER	# OF COLUMNS	# OF DIFF PAIR	DIM 'A'	DIM 'B'	RIGHT END WALL OPTION
76055- \times 13 \times	10	50	20.3	17.10	
76055- \times 23 \times	12	60	24.1	20.90	
76055- \times 73 \times	14	70	27.9	24.70	
76055- \times 63 \times	16	80	31.7	28.50	



RIGHT END
WALL OPTION

MATERIAL NUMBER	# OF COLUMNS	# OF DIFF PAIR	DIM 'A'	DIM 'B'	OPEN WALL OPTION
76055- \times 10 \times	10	50	18.9	17.10	
76055- \times 20 \times	12	60	22.7	20.90	
76055- \times 70 \times	14	70	26.5	24.70	
76055- \times 60 \times	16	80	30.3	28.50	



OPEN
WALL OPTION

SEE SHEET 1 EC NO: UCPE2019-2078 DRAWN BY: BARBARA CHKD: BINGHAM APPR: MILLER	QUALITY SYMBOLS ∇=0 ∇=0 ∇=0	GENERAL TOLERANCES (UNLESS SPECIFIED)		DIMENSION STYLE MM ONLY		SCALE 2:1	DESIGN UNITS METRIC	THIRD ANGLE PROJECTION		
		4 PLACES ± --- ± ---	3 PLACES ± --- ± ---	2 PLACES ± 0.13 ± ---	1 PLACE ± 0.25 ± ---	0 PLACE ± ±	DRAWN BY: JLAURX DATE: 2007/06/18	CHECKED BY: JLAURX DATE: 2007/06/18	APPROVED BY: JLAURX DATE: 2010/10/15	TITLE IMPACT 5 PAIR HEADER UNGUIDED ASSEMBLY SALES DRAWING
		ANGULAR ±1/2°		DRAFT WHERE APPLICABLE MUST REMAIN WITHIN DIMENSIONS		MATERIAL NO. SEE TABLE	DOCUMENT NO. SD-76055-001	SHEET NO. 2 OF 3		
		THIS DRAWING CONTAINS INFORMATION THAT IS PROPRIETARY TO MOLEX INCORPORATED AND SHOULD NOT BE USED WITHOUT WRITTEN PERMISSION								

PART NUMBER LOGIC

76055-****

MODULE TYPE
1 = UNGUIDED.TIN

OF COLUMNS
1 = 10 COL
2 = 12 COL
6 = 16 COL
7 = 14 COL

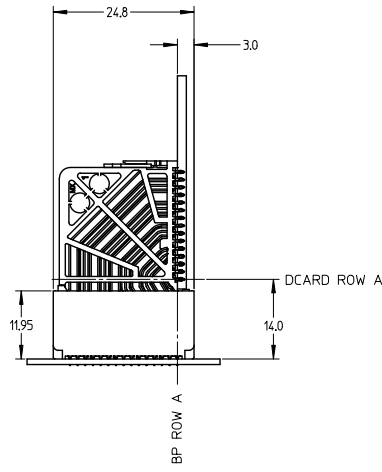
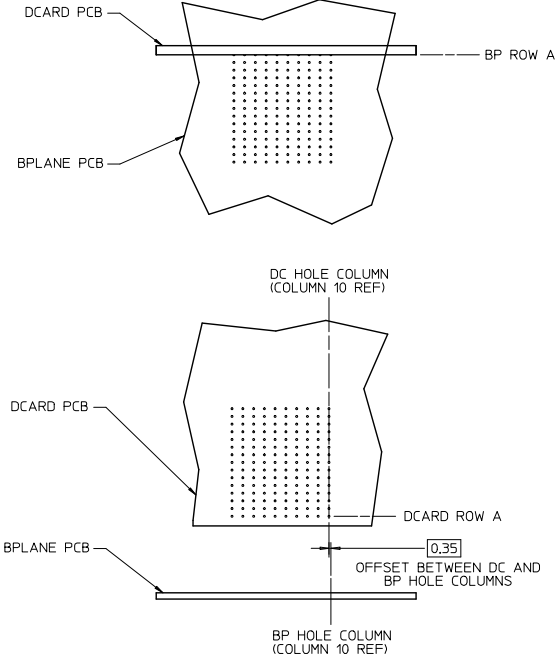
P+PIN LENGTH

3 = 4.50 (SHORT COMPLIANT, 0.46±0.05 PTH)
4 = 4.90 (SHORT COMPLIANT, 0.46±0.05 PTH)
5 = 5.50 (SHORT COMPLIANT, 0.46±0.05 PTH)
6 = 4.50 (MICRO COMPLIANT, 0.39±0.05 PTH)
7 = 4.90 (MICRO COMPLIANT, 0.39±0.05 PTH)
8 = 5.50 (MICRO COMPLIANT, 0.39±0.05 PTH)

END WALL OPTIONS

0 = OPEN ENDS
1 = LEFT END WALL
2 = DUAL END WALL
3 = RIGHT END WALL

IMPACT 5 PAIR BOARD RELATIONSHIPS



SEE SHEET 1 EC NO: UCP2019-2078 DRAWN BY: BARRA 2012/11/28 CHKD: BINGHAM 2012/12/18 APPR: MILLER 2012/12/31	QUALITY SYMBOLS ∇=0 ∇=0 ∇=0	GENERAL TOLERANCES (UNLESS SPECIFIED)		DIMENSION STYLE		SCALE	DESIGN UNITS	THIRD ANGLE PROJECTION	
				MM ONLY		2:1	METRIC		
		4 PLACES ±	---	---	DRAWN BY	DATE	TITLE IMPACT 5 PAIR HEADER UNGUIDED ASSEMBLY SALES DRAWING molex		
		3 PLACES ±	---	---	CHECKED BY	DATE			
2 PLACES ±	0.13	---	APPROVED BY	DATE					
1 PLACE ±	0.25	---	JLAURX	2010/10/15					
0 PLACE ±	---	---	ANGULAR ±1/2°		MATERIAL NO.	DOCUMENT NO.	SHEET NO.		
DRAFT WHERE APPLICABLE MUST REMAIN WITHIN DIMENSIONS			SEE TABLE		SD-76055-001		3 OF 3		
THIS DRAWING CONTAINS INFORMATION THAT IS PROPRIETARY TO MOLEX INCORPORATED AND SHOULD NOT BE USED WITHOUT WRITTEN PERMISSION									