

## **Excellent Integrated System Limited**

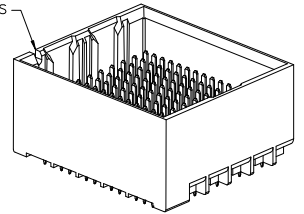
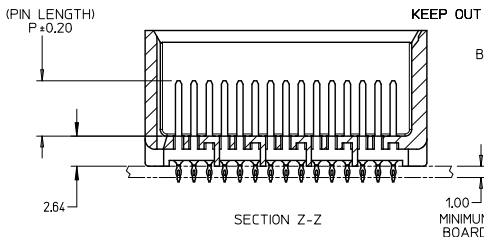
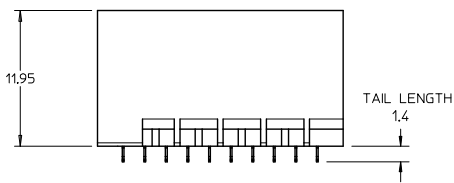
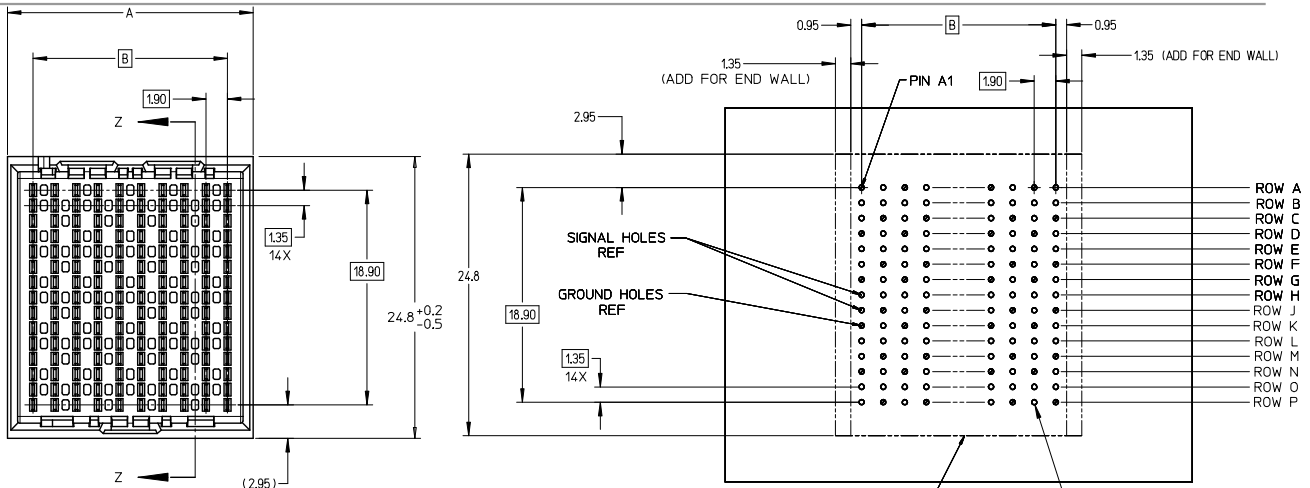
Stocking Distributor

Click to view price, real time Inventory, Delivery & Lifecycle Information:

[Molex Connector Corporation](#)  
[0760551623](#)

For any questions, you can email us directly:

[sales@integrated-circuit.com](mailto:sales@integrated-circuit.com)



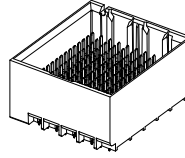
Pd-Ni  
PLATING

- NOTES:
1. MATERIALS: HOUSING - LIQUID CRYSTAL POLYMER (LCP)  
GLASS-FILLED, UL94V-0  
TERMINALS - HIGH PERFORMANCE COPPER ALLOY
  2. FINISH: 5 MICROINCH MINIMUM GOLD FLASH OVER 20 MICROINCH MINIMUM  
Pd-Ni IN CONTACT AREA, SELECTIVE TIN ON PCB TAILS. NICKEL OVERALL.
  3. REFER TO MOLEX PRODUCT SPECIFICATION PS-76060-999  
FOR PERFORMANCE SPECIFICATIONS AND ADDITIONAL PCB INFORMATION.
  4. THIS PART CONFORMS TO CLASS B REQUIREMENTS OF  
MOLEX COSMETIC SPEC PS-45499-002.
  5. PARTS PACKAGED PER PK-70873-7702.
  6. SEE SHEETS 2 & 3 FOR PART NUMBERS AND BOARD RELATIONSHIPS.
  7. MATE WITH IMPACT DC SERIES NO. 76060.
  8. REFER TO MOLEX PCB ROUTING GUIDE AS-76060-990 FOR ANTIPAD AND  
ROUTING RECOMMENDATIONS.
  9. \*THESE DIMENSIONS REPRESENT THE AREA NEEDED TO ACCOMMODATE CONNECTOR  
INSERTION AND REPAIR ON THE PC BOARD. THIS IS REFERRED TO AS THE  
'CONNECTOR KEEP OUT ZONE' AND DOES NOT REPRESENT THE ACTUAL PERIMETER  
OF THE CONNECTOR. WHEN LAYING OUT A PC BOARD FOR CONNECTORS STACKED  
TOGETHER, USE THE 1.9mm PROGRESSION.\*

INITIAL RELEASE EC NO: UCP2016-2332 DRW: SVANG01 2015/12/09 CHK: KWOLFE 2015/12/09 APPR: SMILLER 2015/12/17	QUALITY SYMBOLS ∇=0 ∇=0 ∇=0	GENERAL TOLERANCES (UNLESS SPECIFIED)		DIMENSION STYLE MM ONLY		SCALE 4:1	DESIGN UNITS METRIC	THIRD ANGLE PROJECTION	
			mm	INCH	DRAWN BY SVANG01	DATE 2015/12/09	TITLE IMPACT 5 PAIR HEADER UNGUIDED PDNI ASSEMBLY SALES DRAWING		
		4 PLACES ±---	±---	±---	CHECKED BY MWOLFE	DATE 2015/12/09			
		3 PLACES ±0.13	±---	±---	APPROVED BY SMILLER	DATE 2015/12/17			
2 PLACES ±0.25	±---	±---	MATERIAL NO.		DOCUMENT NO. RSD-173430-001	SHEET NO. 1 OF 3			
1 PLACE ±	±	±	ANGULAR ±1/2°		THIS DRAWING CONTAINS INFORMATION THAT IS PROPRIETARY TO MOLEX INCORPORATED AND SHOULD NOT BE USED WITHOUT WRITTEN PERMISSION				
0 PLACE ±	±	±	DRAFT WHERE APPLICABLE MUST REMAIN WITHIN DIMENSIONS		SIZE C				

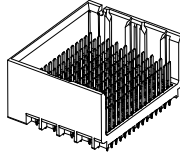
PART NUMBER TABLE

MATERIAL NUMBER	# OF COLUMNS	# OF DIFF PAIR	DIM 'A'	DIM 'B'	DUAL END WALL OPTION
173430- <b>*12*</b>	10	50	21.7	17.10	
173430- <b>*22*</b>	12	60	25.5	20.90	
173430- <b>*72*</b>	14	70	29.3	24.70	
173430- <b>*62*</b>	16	80	33.1	28.50	



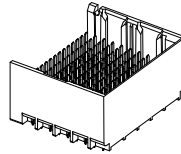
DUAL END  
WALL OPTION

MATERIAL NUMBER	# OF COLUMNS	# OF DIFF PAIR	DIM 'A'	DIM 'B'	LEFT END WALL OPTION
173430- <b>*11*</b>	10	50	20.3	17.10	
173430- <b>*21*</b>	12	60	24.1	20.90	
173430- <b>*71*</b>	14	70	27.9	24.70	
173430- <b>*61*</b>	16	80	31.7	28.50	



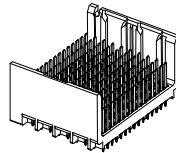
LEFT END  
WALL OPTION

MATERIAL NUMBER	# OF COLUMNS	# OF DIFF PAIR	DIM 'A'	DIM 'B'	RIGHT END WALL OPTION
173430- <b>*13*</b>	10	50	20.3	17.10	
173430- <b>*23*</b>	12	60	24.1	20.90	
173430- <b>*73*</b>	14	70	27.9	24.70	
173430- <b>*63*</b>	16	80	31.7	28.50	



RIGHT END  
WALL OPTION

MATERIAL NUMBER	# OF COLUMNS	# OF DIFF PAIR	DIM 'A'	DIM 'B'	OPEN WALL OPTION
173430- <b>*10*</b>	10	50	18.9	17.10	
173430- <b>*20*</b>	12	60	22.7	20.90	
173430- <b>*70*</b>	14	70	26.5	24.70	
173430- <b>*60*</b>	16	80	30.3	28.50	



OPEN  
WALL OPTION

<b>SEE SHEET 1</b> EC NO: UCF2016-2332 DRAWN BY: SVANG01 CHKD BY: MWOLFE APPR: SMILLER	QUALITY SYMBOLS 	GENERAL TOLERANCES (UNLESS SPECIFIED)		DIMENSION STYLE MM ONLY		SCALE 2:1	DESIGN UNITS METRIC	THIRD ANGLE PROJECTION	
		4 PLACES ±	---	---	DRAWN BY SVANG01	DATE 2015/12/09	TITLE IMPACT 5 PAIR HEADER UNGUIDED PDNI ASSEMBLY SALES DRAWING <b>molex</b> MATERIAL NO. RSD-173430-001 DOCUMENT NO. RSD-173430-001 SHEET NO. 2 OF 3		
		3 PLACES ±	---	---	CHECKED BY	DATE			
		2 PLACES ±	0.13	---	MWOLFE	2015/12/09			
		1 PLACE ±	0.25	---	APPROVED BY	DATE			
0 PLACE ±	---	---	SMILLER	2015/12/17					
ANGULAR ±1/2°		DRAFT WHERE APPLICABLE MUST REMAIN WITHIN DIMENSIONS		SEE TABLE					

PART NUMBER LOGIC

173430-\*\*\*\*

MODULE TYPE  
1 = UNGUIDED, TIN

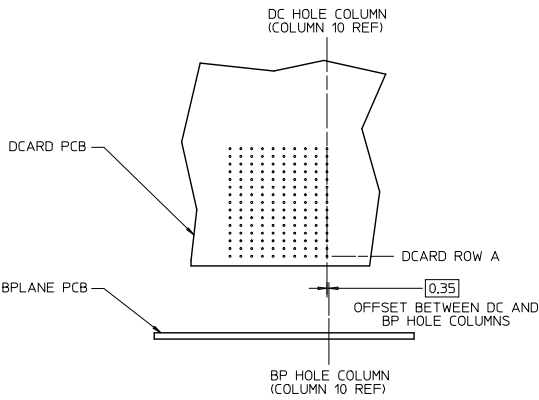
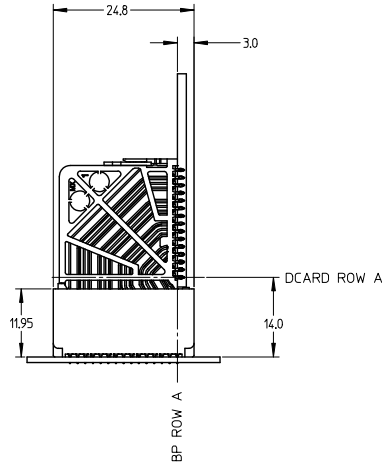
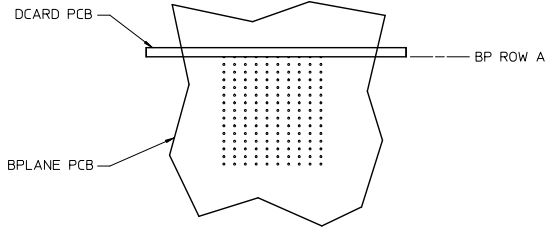
# OF COLUMNS  
1 = 10 COL  
2 = 12 COL  
6 = 16 COL  
7 = 14 COL

P+PIN LENGTH

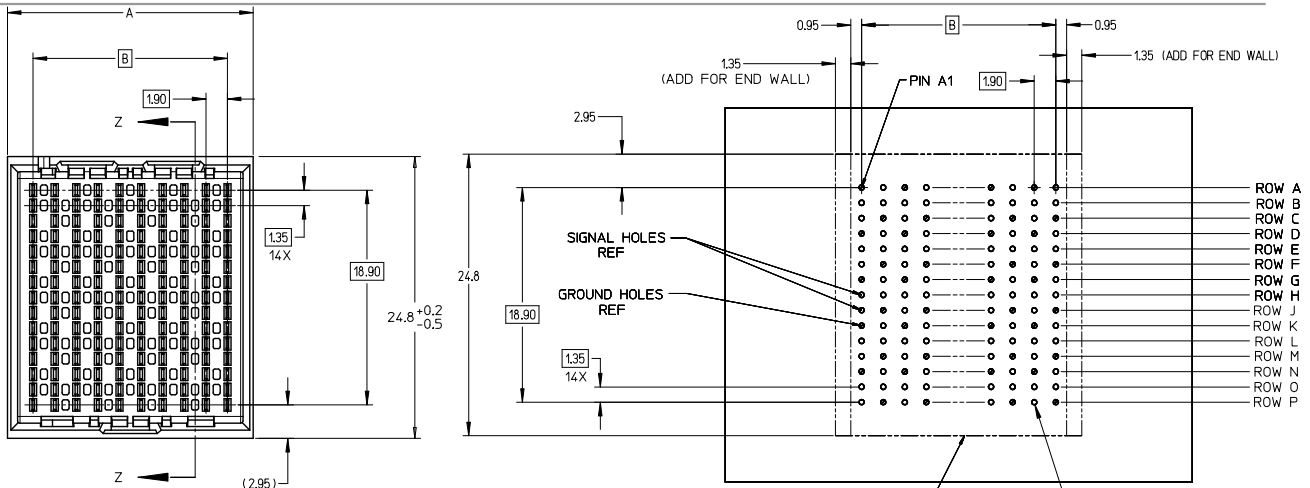
3 = 4.50 (SHORT COMPLIANT, 0.46±0.05 PTH)  
4 = 4.90 (SHORT COMPLIANT, 0.46±0.05 PTH)  
5 = 5.50 (SHORT COMPLIANT, 0.46±0.05 PTH)  
6 = 4.50 (MICRO COMPLIANT, 0.39±0.05 PTH)  
7 = 4.90 (MICRO COMPLIANT, 0.39±0.05 PTH)  
8 = 5.50 (MICRO COMPLIANT, 0.39±0.05 PTH)

END WALL OPTIONS  
0 = OPEN ENDS  
1 = LEFT END WALL  
2 = DUAL END WALL  
3 = RIGHT END WALL

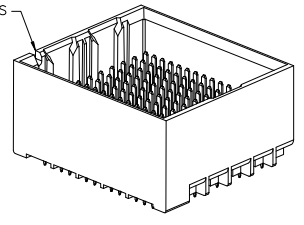
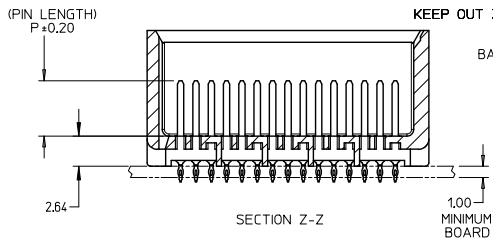
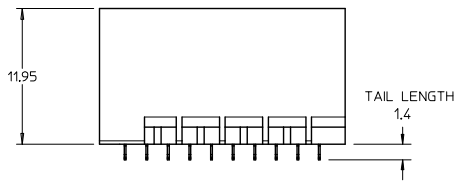
IMPACT 5 PAIR BOARD RELATIONSHIPS



SEE SHEET 1 EC NO: UCP2016-2332 DRWNSVANG01 2015/12/09 CHKORWOLFE APPRSMILLER 2015/12/17 DESCRIPTION	QUANTITY SYMBOLS □ ○ △	GENERAL TOLERANCES (UNLESS SPECIFIED)		DIMENSION STYLE MM ONLY		SCALE 2:1	DESIGN UNITS METRIC	THIRD ANGLE PROJECTION	
		mm	INCH	DRAWN BY SVANG01	DATE 2015/12/09	TITLE IMPACT 5 PAIR HEADER UNGUIDED PDNI ASSEMBLY SALES DRAWING <b>molex</b> MATERIAL NO. RSD-173430-001 DOCUMENT NO. SHEET NO. 3 OF 3			
		4 PLACES ± ---	± ---	CHECKED BY MWOLFE	DATE 2015/12/09				
		3 PLACES ± ---	± ---	APPROVED BY SMILLER	DATE 2015/12/17				
2 PLACES ± 0.13	± ---	ANGULAR ± 1/2°							
1 PLACE ± 0.25	± ---	DRAFT WHERE APPLICABLE MUST REMAIN WITHIN DIMENSIONS		SIZE C	THIS DRAWING CONTAINS INFORMATION THAT IS PROPRIETARY TO MOLEX INCORPORATED AND SHOULD NOT BE USED WITHOUT WRITTEN PERMISSION				
0 PLACE ±	±								



ROW A  
ROW B  
ROW C  
ROW D  
ROW E  
ROW F  
ROW G  
ROW H  
ROW J  
ROW K  
ROW L  
ROW M  
ROW N  
ROW O  
ROW P

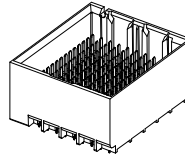


- NOTES:
1. MATERIALS: HOUSING - LIQUID CRYSTAL POLYMER (LCP)  
GLASS-FILLED, UL94V-0  
TERMINALS - HIGH PERFORMANCE COPPER ALLOY
  2. FINISH: 30μ MIN GOLD IN CONTACT AREA.  
SELECTIVE TIN ON PCB TAILS.  
NICKEL OVERALL.
  3. REFER TO MOLEX PRODUCT SPECIFICATION PS-76060-999  
FOR PERFORMANCE SPECIFICATIONS AND ADDITIONAL PCB INFORMATION.
  4. THIS PART CONFORMS TO CLASS B REQUIREMENTS OF  
MOLEX COSMETIC SPEC PS-45499-002.
  5. PARTS PACKAGED PER PK-70873-7702.
  6. SEE SHEETS 2 & 3 FOR PART NUMBERS AND BOARD RELATIONSHIPS.
  7. MATES WITH IMPACT DC SERIES NO. 76060.
  8. REFER TO MOLEX PCB ROUTING GUIDE AS-76060-990 FOR ANTIPAD AND  
ROUTING RECOMMENDATIONS.
  9. \*THESE DIMENSIONS REPRESENT THE AREA NEEDED TO ACCOMMODATE CONNECTOR  
INSERTION AND REPAIR ON THE PC BOARD. THIS IS REFERRED TO AS THE  
"CONNECTOR KEEP OUT ZONE" AND DOES NOT REPRESENT THE ACTUAL PERIMETER  
OF THE CONNECTOR, WHEN LAYING OUT A PC BOARD FOR CONNECTORS STACKED  
TOGETHER, USE THE 1.9mm PROGRESSION.\*

CONVERT TO LEAD-FREE EC NO: UCP2015-2078 DRAWN BY: BARRA 2012/11/28 CHKD: JB INDRAM 2012/12/18 APPR: SMILLER 2012/12/31	QUALITY SYMBOLS 	GENERAL TOLERANCES (UNLESS SPECIFIED)		DIMENSION STYLE		SCALE	DESIGN UNITS	THIRD ANGLE PROJECTION			
				MM ONLY		4:1	METRIC				
				DRAWN BY: JLAURX DATE: 2007/06/18		CHECKED BY: JLAURX DATE: 2007/06/18		TITLE <b>IMPACT 5 PAIR HEADER          UNGUIDED ASSEMBLY          SALES DRAWING</b> 			
				APPROVED BY: JLAURX DATE: 2010/10/15		MATERIAL NO.					
		ANGULAR ±1/2°		SEE TABLE		SD-76055-001		SHEET NO. 1 OF 3			
		DRAFT WHERE APPLICABLE MUST REMAIN WITHIN DIMENSIONS		SIZE C		THIS DRAWING CONTAINS INFORMATION THAT IS PROPRIETARY TO MOLEX INCORPORATED AND SHOULD NOT BE USED WITHOUT WRITTEN PERMISSION					

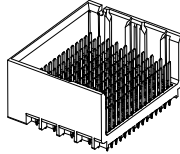
PART NUMBER TABLE

MATERIAL NUMBER	# OF COLUMNS	# OF DIFF PAIR	DIM 'A'	DIM 'B'	DUAL END WALL OPTION
76055- $\ast$ 12 $\ast$	10	50	21.7	17.10	
76055- $\ast$ 22 $\ast$	12	60	25.5	20.90	
76055- $\ast$ 72 $\ast$	14	70	29.3	24.70	
76055- $\ast$ 62 $\ast$	16	80	33.1	28.50	



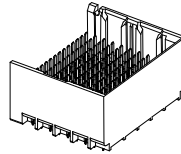
DUAL END  
WALL OPTION

MATERIAL NUMBER	# OF COLUMNS	# OF DIFF PAIR	DIM 'A'	DIM 'B'	LEFT END WALL OPTION
76055- $\ast$ 11 $\ast$	10	50	20.3	17.10	
76055- $\ast$ 21 $\ast$	12	60	24.1	20.90	
76055- $\ast$ 71 $\ast$	14	70	27.9	24.70	
76055- $\ast$ 61 $\ast$	16	80	31.7	28.50	



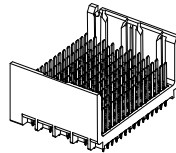
LEFT END  
WALL OPTION

MATERIAL NUMBER	# OF COLUMNS	# OF DIFF PAIR	DIM 'A'	DIM 'B'	RIGHT END WALL OPTION
76055- $\ast$ 13 $\ast$	10	50	20.3	17.10	
76055- $\ast$ 23 $\ast$	12	60	24.1	20.90	
76055- $\ast$ 73 $\ast$	14	70	27.9	24.70	
76055- $\ast$ 63 $\ast$	16	80	31.7	28.50	



RIGHT END  
WALL OPTION

MATERIAL NUMBER	# OF COLUMNS	# OF DIFF PAIR	DIM 'A'	DIM 'B'	OPEN WALL OPTION
76055- $\ast$ 10 $\ast$	10	50	18.9	17.10	
76055- $\ast$ 20 $\ast$	12	60	22.7	20.90	
76055- $\ast$ 70 $\ast$	14	70	26.5	24.70	
76055- $\ast$ 60 $\ast$	16	80	30.3	28.50	



OPEN  
WALL OPTION

SEE SHEET 1 EC NO: UCF2019-2078 DRW: TIBARRA CHKD: BINGHAM APPR: MILLER	QUALITY SYMBOLS $\nabla=0$ $\nabla=0$ $\nabla=0$	GENERAL TOLERANCES (UNLESS SPECIFIED) mm INCH 4 PLACES $\pm$ --- $\pm$ --- 3 PLACES $\pm$ --- $\pm$ --- 2 PLACES $\pm$ 0.13 $\pm$ --- 1 PLACE $\pm$ 0.25 $\pm$ --- 0 PLACE $\pm$ $\pm$	DIMENSION STYLE MM ONLY	SCALE 2:1	DESIGN UNITS METRIC	THIRD ANGLE PROJECTION
	DRAWN BY JLAURX	DATE 2007/06/18	TITLE IMPACT 5 PAIR HEADER UNGUIDED ASSEMBLY SALES DRAWING		molex	
	CHECKED BY JLAURX	DATE 2007/06/18	MATERIAL NO. SEE TABLE		DOCUMENT NO. SD-76055-001	SHEET NO. 2 OF 3
	APPROVED BY JLAURX	DATE 2010/10/15	THIS DRAWING CONTAINS INFORMATION THAT IS PROPRIETARY TO MOLEX INCORPORATED AND SHOULD NOT BE USED WITHOUT WRITTEN PERMISSION			
	ANGLE $\pm 1/2^\circ$	DRAFT WHERE APPLICABLE MUST REMAIN WITHIN DIMENSIONS				

**PART NUMBER LOGIC**

76055-\*\*\*\*

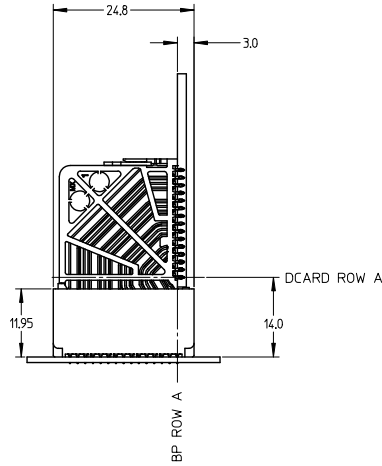
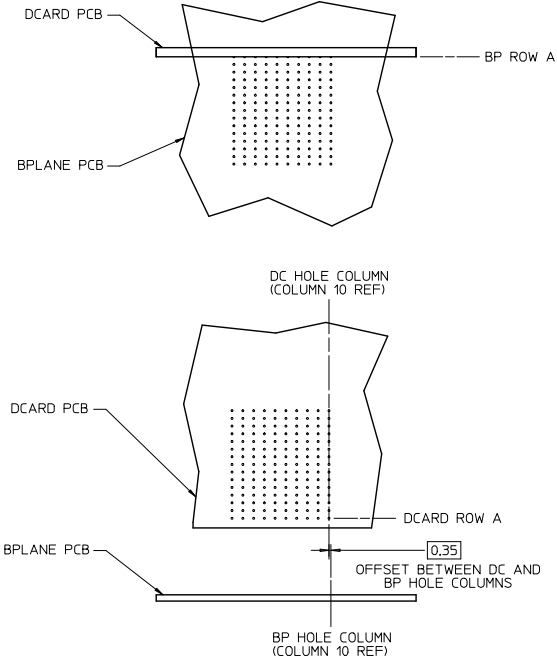
MODULE TYPE  
1 = UNGUIDED.TIN

# OF COLUMNS  
1 = 10 COL  
2 = 12 COL  
6 = 16 COL  
7 = 14 COL

P+PIN LENGTH  
3 = 4.50 (SHORT COMPLIANT, 0.46±0.05 PTH)  
4 = 4.90 (SHORT COMPLIANT, 0.46±0.05 PTH)  
5 = 5.50 (SHORT COMPLIANT, 0.46±0.05 PTH)  
6 = 4.50 (MICRO COMPLIANT, 0.39±0.05 PTH)  
7 = 4.90 (MICRO COMPLIANT, 0.39±0.05 PTH)  
8 = 5.50 (MICRO COMPLIANT, 0.39±0.05 PTH)

END WALL OPTIONS  
0 = OPEN ENDS  
1 = LEFT END WALL  
2 = DUAL END WALL  
3 = RIGHT END WALL

**IMPACT 5 PAIR BOARD RELATIONSHIPS**



SEE SHEET 1 EC NO: UCP2019-2078 DRAWN BY: IBARRA 2012/11/26 CHKD: BINGHAM 2012/12/18 APPR: MILLER 2012/12/31	QUALITY SYMBOLS ∇=0 ∇=0 ∇=0	GENERAL TOLERANCES (UNLESS SPECIFIED)		DIMENSION STYLE MM ONLY		SCALE 2:1	DESIGN UNITS METRIC	THIRD ANGLE PROJECTION	
		4 PLACES ± --- ± ---	3 PLACES ± --- ± ---	DRAWN BY JLAURX	DATE 2007/06/18	TITLE IMPACT 5 PAIR HEADER UNGUIDED ASSEMBLY SALES DRAWING			
		2 PLACES ± 0.13 ± ---	1 PLACE ± 0.25 ± ---	CHECKED BY JLAURX	DATE 2007/06/18	molex			
		0 PLACE ± ±	ANGULAR ± 1/2°	APPROVED BY JLAURX	DATE 2010/10/15	MATERIAL NO. SEE TABLE	DOCUMENT NO. SD-76055-001	SHEET NO. 3 OF 3	
DRAFT WHERE APPLICABLE MUST REMAIN WITHIN DIMENSIONS		THIS DRAWING CONTAINS INFORMATION THAT IS PROPRIETARY TO MOLEX INCORPORATED AND SHOULD NOT BE USED WITHOUT WRITTEN PERMISSION							