

## Excellent Integrated System Limited

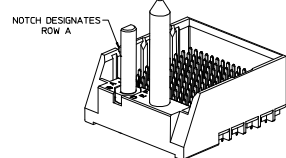
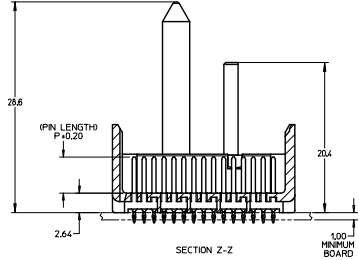
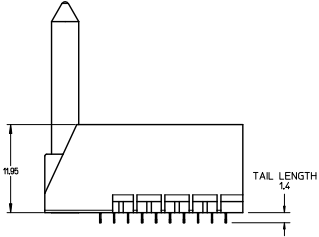
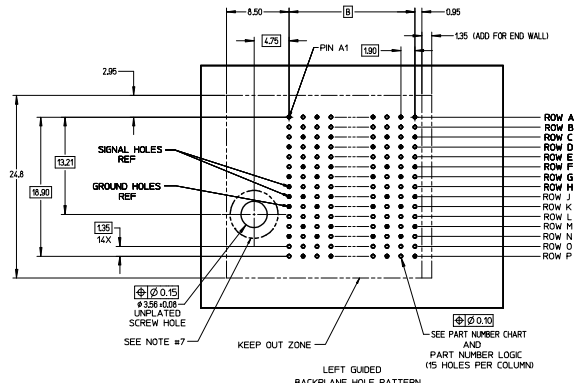
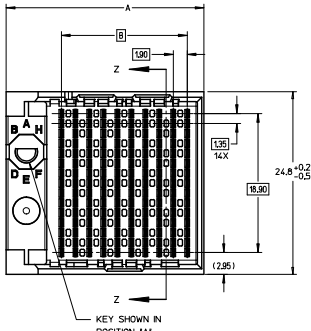
Stocking Distributor

Click to view price, real time Inventory, Delivery & Lifecycle Information:

[Molex Connector Corporation](#)  
[0760557106](#)

For any questions, you can email us directly:

[sales@integrated-circuit.com](mailto:sales@integrated-circuit.com)



- NOTES:**
1. MATERIALS: HOUSING - LIQUID CRYSTAL POLYMER (LCP) GLASS-FILLED, UL94V-0
  2. TERMINALS - HIGH PERFORMANCE COPPER ALLOY  
FINISH 5 MICRONCH MINIMUM GOLD FLASH OVER 20 MICRONCH MINIMUM  
Pd-Ni IN CONTACT AREA, SELECTIVE TIN ON PCB TAILS, NICKEL OVERALL.
  3. REFER TO MOLEX PRODUCT SPECIFICATION PS-76060-999 FOR PERFORMANCE SPECIFICATIONS AND ADDITIONAL PCB INFORMATION.
  4. THIS PART CONFORMS TO CLASS B REQUIREMENTS OF MOLEX COSMETIC SPEC PS-45499-002.
  5. PACKAGE PER: PK-70873-759.
  6. SEE SHEETS 2 & 3 FOR PART NUMBERS AND BOARD RELATIONSHIPS.
  7. FOR GROUNDED GUIDE PINS USE DIA. 3.56 +/-0.08 (PTH) DIA. 3.66 (DRILL) AND DIA 6.5 (PAD).
  8. MATES WITH IMPACT DC SERIES NO. 76060.
  9. KEEP OUT ZONE FOR BP HOUSING LENGTH INCLUDES AN ADDITIONAL 10MM TO ACCOMMODATE FOR SPACE REQUIRED BY DC FRONT HOUSING.
  10. REFER TO MOLEX PCB ROUTING GUIDE AS-76060-990 FOR ANTI PAD AND ROUTING RECOMMENDATIONS.
  11. CONNECTORS SUPPLIED WITH A 2-56 UNC-2A SCREW.
  12. THESE DIMENSIONS REPRESENT THE AREA NEEDED TO ACCOMMODATE CONNECTOR INSERTION AND REPAIR ON THE PCB BOARD, THIS IS REFERRED TO AS THE 'CONNECTOR KEEP OUT ZONE' AND DOES NOT REPRESENT THE ACTUAL PERIMETER OF THE CONNECTOR, WHEN LAYING OUT A PCB BOARD FOR CONNECTORS STACK TOGETHER, USE A 1.9mm PROGRESSION.

Pd-Ni  
PLATING

QUALITY SYMBOLS	GENERAL TOLERANCES (UNLESS SPECIFIED)	DRIVEN BY	DATE	TITLE	THIRD ANGLE PROJECTION
	4 PLACES ±0.13	SVANG01	2015/12/09	IMPACT 5 PAIR HEADER LEFT GUIDED PDI ASSEMBLY SALES DRAWING	molex
3 PLACES ±0.25	CHECKED BY	DATE		DOCUMENT NO.	
2 PLACES ±0.25	APPROVED BY	DATE		RSD-173430-002	SHEET NO.
1 PLACE ±0.25					1 OF 3
0 PLACE ±0.25					

PART NUMBER LOGIC

173430-\*\*\*\*

MODULE TYPE

- 3 = GUIDE LEFT, TIN
- 7 = GUIDE LEFT END WALL, TIN

PIN LENGTH (P)

- 3 = 4.50 (SHORT COMPLIANT, 0.46±0.05 PTH)
- 4 = 4.90 (SHORT COMPLIANT, 0.46±0.05 PTH)
- 5 = 5.50 (SHORT COMPLIANT, 0.46±0.05 PTH)
- 6 = 4.50 (MICRO COMPLIANT, 0.39±0.05 PTH)
- 7 = 4.90 (MICRO COMPLIANT, 0.39±0.05 PTH)
- 8 = 5.50 (MICRO COMPLIANT, 0.39±0.05 PTH)

# OF COLUMNS

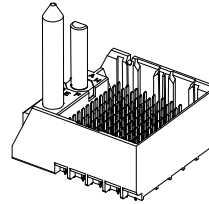
- 1 = 10 COL
- 2 = 12 COL
- 6 = 16 COL
- 7 = 14 COL

KEY ORIENTATION

- 0 = NO KEY
- 1 = A
- 2 = B
- 3 = C
- 4 = D
- 5 = E
- 6 = F
- 7 = G
- 8 = H

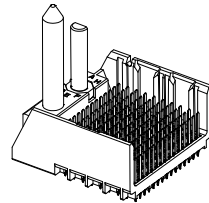
PART NUMBER TABLE

MATERIAL NUMBER	# OF COLUMNS	# OF DIFF PAIR	DIM 'A'	DIM 'B'	
173430-#1**	10	50	26.9	17.10	GUIDE LEFT END WALL OPTION
173430-#2**	12	60	30.7	20.90	
173430-#7**	14	70	34.5	24.70	
173430-#6**	16	80	38.3	28.50	



GUIDE LEFT  
END WALL  
OPTION

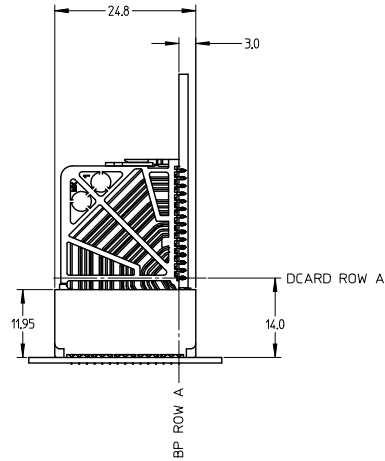
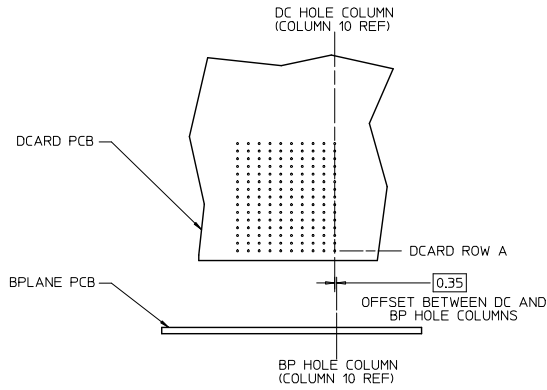
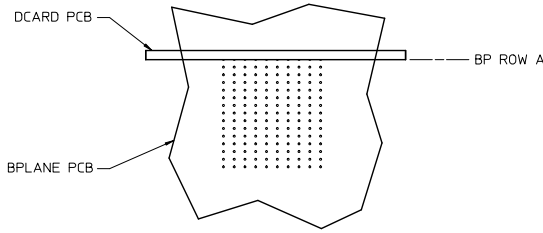
MATERIAL NUMBER	# OF COLUMNS	# OF DIFF PAIR	DIM 'A'	DIM 'B'	
173430-#1**	10	50	25.5	17.10	GUIDE LEFT OPEN WALL OPTION
173430-#2**	12	60	29.3	20.90	
173430-#7**	14	70	33.1	24.70	
173430-#6**	16	80	36.9	28.50	



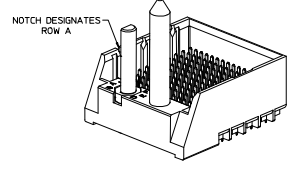
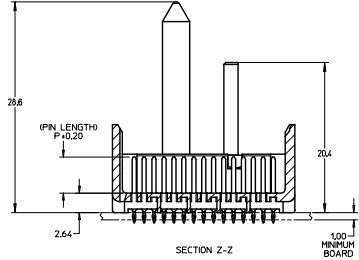
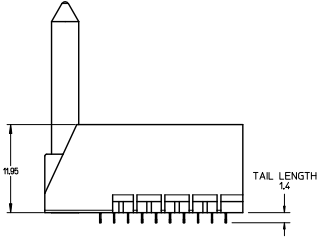
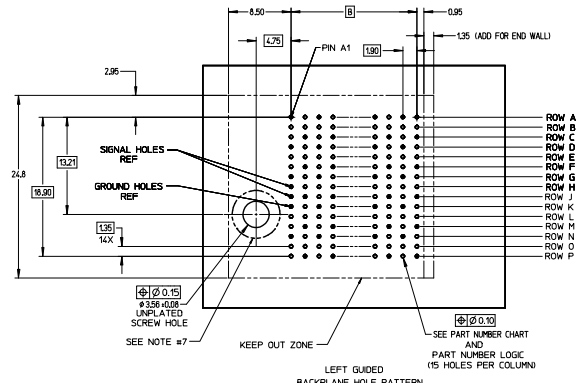
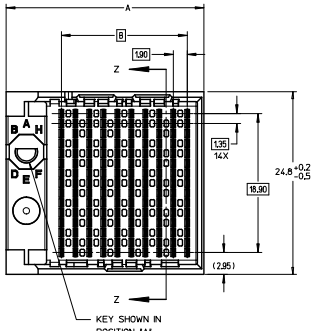
GUIDE LEFT  
OPEN WALL  
OPTION

SEE SHEET 1 EC NO: UCP2016-2332 DRWNSVANG01 2015/12/09 CHKRMWOLFE 2015/12/09 APPR:SMILLER 2015/12/17	QUALITY SYMBOLS ∇=0 ∇=0 ∇=0	GENERAL TOLERANCES (UNLESS SPECIFIED)		DIMENSION STYLE MM ONLY		SCALE 2:1	DESIGN UNITS METRIC	THIRD ANGLE PROJECTION		
		4 PLACES ± --- ± ---	3 PLACES ± --- ± ---	2 PLACES ± 0.13 ± ---	1 PLACE ± 0.25 ± ---	0 PLACE ± ±	DRAWN BY SVANG01	DATE 2015/12/09	TITLE IMPACT 5 PAIR HEADER LEFT GUIDED PDNI ASSEMBLY SALES DRAWING	
		DRAFT WHERE APPLICABLE MUST REMAIN WITHIN DIMENSIONS		SEE TABLE		APPROVED BY SMILLER		DATE 2015/12/17	MATERIAL NO. RSD-173430-002	DOCUMENT NO. RSD-173430-002
		ANGULAR ± 1/2°		SIZE		THIS DRAWING CONTAINS INFORMATION THAT IS PROPRIETARY TO MOLEX INCORPORATED AND SHOULD NOT BE USED WITHOUT WRITTEN PERMISSION		SHEET NO. 2 OF 3		

IMPACT 5 PAIR  
BOARD RELATIONSHIPS



SEE SHEET 1 EC NO: UCP2016-2332 DRWNSVANG01 2015/12/09 CHKRMOLFE 2015/12/09 APPR:SMILLER 2015/12/17 A REV	QUALITY SYMBOLS ∇=0 ∇=0 ∇=0	GENERAL TOLERANCES (UNLESS SPECIFIED)		DIMENSION STYLE		SCALE	DESIGN UNITS	THIRD ANGLE PROJECTION		
			mm	INCH	MM ONLY		2:1	METRIC		
		4 PLACES ±	---	---	DRAWN BY	DATE	TITLE IMPACT 5 PAIR HEADER LEFT GUIDED PDNI ASSEMBLY SALES DRAWING <b>molex</b> MATERIAL NO. RSD-173430-002 DOCUMENT NO. SHEET NO. 3 OF 3			
		3 PLACES ±	---	---	CHECKED BY	DATE				
2 PLACES ±	0.13	---	APPROVED BY	DATE						
1 PLACE ±	0.25	---	SMILLER	2015/12/17						
			0 PLACE ±	---	---	THIS DRAWING CONTAINS INFORMATION THAT IS PROPRIETARY TO MOLEX INCORPORATED AND SHOULD NOT BE USED WITHOUT WRITTEN PERMISSION				



- NOTES:
- MATERIALS: HOUSING - LIQUID CRYSTAL POLYMER (LCP)  
GLASS-FILLED, UL94V-0  
TERMINALS - HIGH PERFORMANCE COPPER ALLOY
  - FINISH: 30μ MIN GOLD IN CONTACT AREA,  
SELECTIVE TIN ON PCB TAILS,  
NICKEL OVERALL.
  - REFER TO MOLEX PRODUCT SPECIFICATION PS-76060-999  
FOR PERFORMANCE SPECIFICATIONS AND ADDITIONAL PCB INFORMATION.
  - THIS PART CONFORMS TO CLASS B REQUIREMENTS OF  
MOLEX COSMETIC SPEC PS-45499-002.
  - PACKAGE PER: PK-70873-759.
  - SEE SHEETS 2 & 3 FOR PART NUMBERS AND BOARD RELATIONSHIPS.
  - FOR GROUNDED GUIDE PINS USE DIA. 3.56 +/-0.08 (PTH)  
DIA. 3.66 (DRILL) AND DIA. 6.5 (PAD).
  - MATES WITH IMPACT DC SERIES NO. 76060.
  - KEEP OUT ZONE FOR BP HOUSING LENGTH INCLUDES AN ADDITIONAL 10MM  
TO ACCOMMODATE FOR SPACE REQUIRED BY DC FRONT HOUSING.
  - REFER TO MOLEX PCB ROUTING GUIDE AS-76060-990 FOR ANTI-PAD AND ROUTING RECOMMENDATIONS.
  - CONNECTORS SUPPLIED WITH A 2-56 UNC-2A SCREW.
  - THESE DIMENSIONS REPRESENT THE AREA NEEDED TO ACCOMMODATE CONNECTOR INSERTION  
AND REPAIR ON THE PCB BOARD. THIS IS REFERRED TO AS THE 'CONNECTOR KEEP OUT ZONE'  
AND DOES NOT REPRESENT THE ACTUAL PERIMETER OF THE CONNECTOR. WHEN LAYING OUT  
A PCB BOARD FOR CONNECTORS STACK TOGETHER, USE A 1.9mm PROGRESSION.

CONVERT TO LEAD-FREE EC NO. LFP2013-2018 DRAWN BY BARBA 2017/11/26 CHECKED BY INGHAM 2017/12/18 APPROVED BY SHILLER 2017/12/21 DATE	QUALITY SYMBOLS	GENERAL TOLERANCES (UNLESS SPECIFIED)	DIMENSION STYLE MM ONLY	SCALE 4:1	DESIGN UNITS METRIC	THIRD ANGLE PROJECTION	
	$\nabla=0$ $\nabla=0$ $\nabla=0$	4 PLACES ± --- INCH 3 PLACES ± --- INCH 2 PLACES ± 0.13 INCH 1 PLACE ± 0.25 INCH 0 PLACE ± --- INCH	mm INCH ± --- ± --- ± 0.13 ± --- ± 0.25 ± --- ± --- ± ---	DRAWN BY MSANDBERG 05/24/2007 CHECKED BY JLAURX 05/24/2007 APPROVED BY JLAURX 2010/10/15			TITLE <b>IMPACT 5 PAIR HEADER          LEFT GUIDED ASSEMBLY          SALES DRAWING</b>
	ANGULAR ±1/2° DRAFT WHERE APPLICABLE MUST REMAIN WITHIN DIMENSIONS	MATERIAL NO. <b>SEE TABLE</b>	DOCUMENT NO. <b>SD-76055-002</b>	SHEET NO. <b>1 OF 3</b>			
	THIS DRAWING CONTAINS INFORMATION THAT IS PROPRIETARY TO MOLEX INCORPORATED AND SHOULD NOT BE USED WITHOUT WRITTEN PERMISSION						

**PART NUMBER LOGIC**

76055-\*\*\*\*

**MODULE TYPE**

- 3 = GUIDE LEFT, TIN
- 7 = GUIDE LEFT END WALL, TIN

**PIN LENGTH (P)**

- 3 = 4.50 (SHORT COMPLIANT, 0.46±0.05 PTH)
- 4 = 4.90 (SHORT COMPLIANT, 0.46±0.05 PTH)
- 5 = 5.50 (SHORT COMPLIANT, 0.46±0.05 PTH)
- 6 = 4.50 (MICRO COMPLIANT, 0.39±0.05 PTH)
- 7 = 4.90 (MICRO COMPLIANT, 0.39±0.05 PTH)
- 8 = 5.50 (MICRO COMPLIANT, 0.39±0.05 PTH)

**# OF COLUMNS**

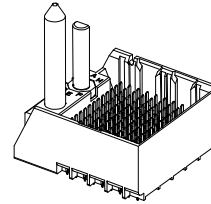
- 1 = 10 COL
- 2 = 12 COL
- 6 = 16 COL
- 7 = 14 COL

**KEY ORIENTATION**

- 0 = NO KEY
- 1 = A
- 2 = B
- 3 = C
- 4 = D
- 5 = E
- 6 = F
- 7 = G
- 8 = H

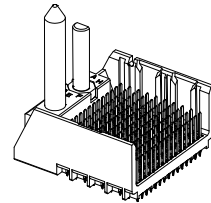
**PART NUMBER TABLE**

MATERIAL NUMBER	# OF COLUMNS	# OF DIFF PAIR	DIM 'A'	DIM 'B'	
76055- <i>x1**</i>	10	50	26.9	17.10	GUIDE LEFT END WALL OPTION
76055- <i>x2**</i>	12	60	30.7	20.90	
76055- <i>x7**</i>	14	70	34.5	24.70	
76055- <i>x6**</i>	16	80	38.3	28.50	



GUIDE LEFT  
END WALL  
OPTION

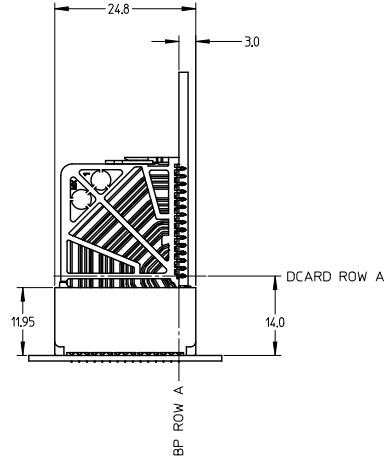
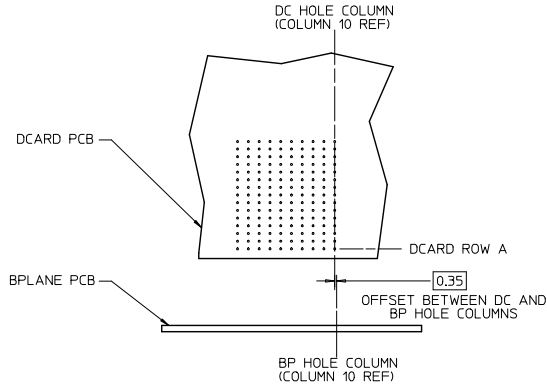
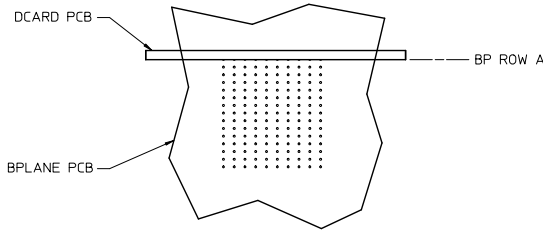
MATERIAL NUMBER	# OF COLUMNS	# OF DIFF PAIR	DIM 'A'	DIM 'B'	
76055- <i>x1**</i>	10	50	25.5	17.10	GUIDE LEFT OPEN WALL OPTION
76055- <i>x2**</i>	12	60	29.3	20.90	
76055- <i>x7**</i>	14	70	33.1	24.70	
76055- <i>x6**</i>	16	80	36.9	28.50	



GUIDE LEFT  
OPEN WALL  
OPTION

SEE SHEET 1 EC NO: UCP2015-2078 DRAWN: IBARRA 2012/11/26 CHKD: BI INGRAM 2012/12/18 APPR: SMILLER 2012/12/21	QUALITY SYMBOLS ∇=0 ∇=0.13 ∇=0.25	GENERAL TOLERANCES (UNLESS SPECIFIED)		DIMENSION STYLE MM ONLY		SCALE 2:1	DESIGN UNITS METRIC	THIRD ANGLE PROJECTION		
		4 PLACES ± --- ± ---	3 PLACES ± --- ± ---	2 PLACES ± 0.13 ± ---	1 PLACE ± 0.25 ± ---	0 PLACE ± ±	DRAWN BY MSANDBERG	DATE 05/24/2007	TITLE IMPACT 5 PAIR HEADER LEFT GUIDED ASSEMBLY SALES DRAWING	
		ANGULAR ± 1/2°		DRAFT WHERE APPLICABLE MUST REMAIN WITHIN DIMENSIONS		SEE TABLE		MATERIAL NO.	DOCUMENT NO. SD-76055-002	SHEET NO. 2 OF 3
		THIS DRAWING CONTAINS INFORMATION THAT IS PROPRIETARY TO MOLEX INCORPORATED AND SHOULD NOT BE USED WITHOUT WRITTEN PERMISSION								

IMPACT 5 PAIR  
BOARD RELATIONSHIPS



SEE SHEET 1 EC NO: UCP2013-2078 DRAWN BY: IBARRA 2012/11/28 CHECKED BY: INGHAM 2012/12/18 APPROVED BY: MILLER 2012/12/31	QUALITY SYMBOLS ∇=0 ∇=0 ∇=0	GENERAL TOLERANCES (UNLESS SPECIFIED)		DIMENSION STYLE		SCALE	DESIGN UNITS	THIRD ANGLE PROJECTION		
			mm	INCH	MM ONLY		2:1	METRIC		
		4 PLACES	±	---	DRAWN BY	DATE	TITLE			
		3 PLACES	±	---	MSANDBERG	05/24/2007	IMPACT 5 PAIR HEADER LEFT GUIDED ASSEMBLY SALES DRAWING			
2 PLACES	±	0.13	CHECKED BY	DATE						
1 PLACE	±	0.25	JLAURX	05/24/2007						
0 PLACE	±	---	APPROVED BY	DATE	MATERIAL NO.		DOCUMENT NO.		SHEET NO.	
	±	---	JLAURX	2010/10/15	SEE TABLE		SD-76055-002		3 OF 3	
ANGULAR ±1/2°			DRAFT WHERE APPLICABLE MUST REMAIN WITHIN DIMENSIONS			THIS DRAWING CONTAINS INFORMATION THAT IS PROPRIETARY TO MOLEX INCORPORATED AND SHOULD NOT BE USED WITHOUT WRITTEN PERMISSION				