

Excellent Integrated System Limited

Stocking Distributor

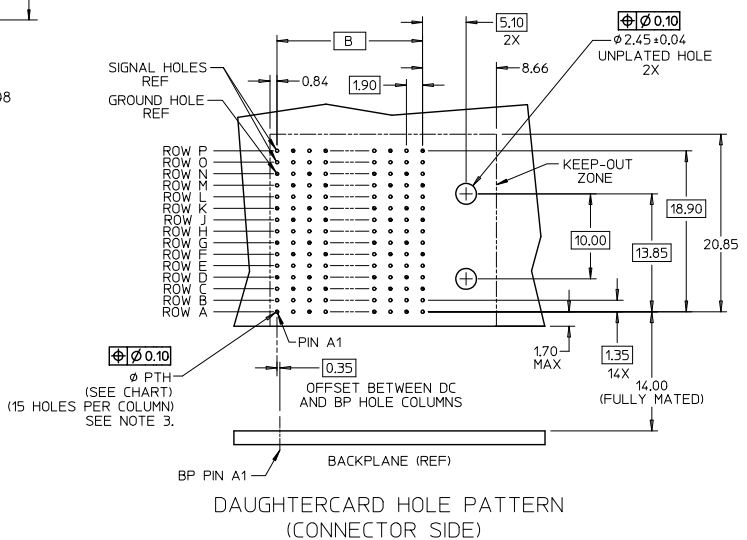
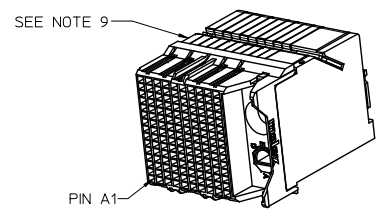
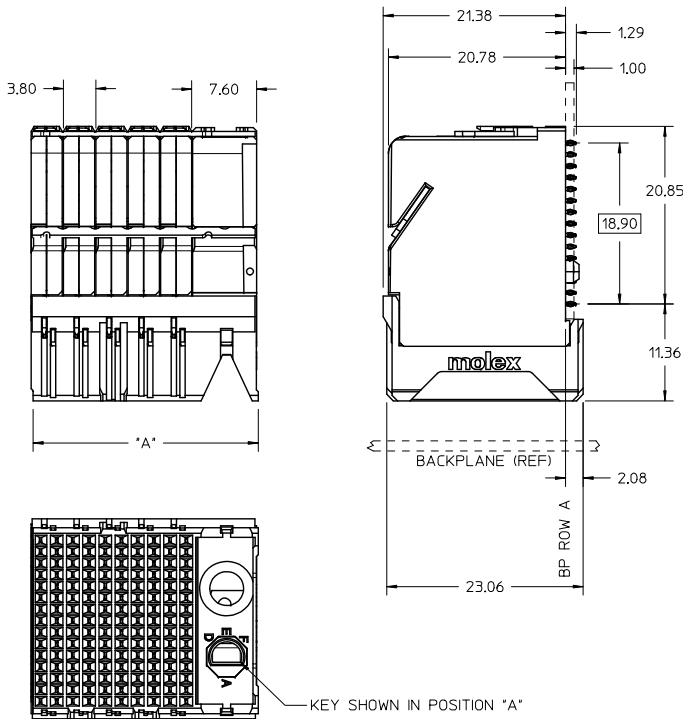
Click to view price, real time Inventory, Delivery & Lifecycle Information:

[Molex Connector Corporation](#)
[0760605010](#)

For any questions, you can email us directly:

sales@integrated-circuit.com

13 12 11 10 9 8 7 6 5 4 3 2 1



- NOTES:
1. MATERIALS: HOUSING - LIQUID CRYSTAL POLYMER (LCP), GLASS-FILLED, UL94V-0
TERMINALS - HIGH PERFORMANCE COPPER ALLOY
 2. FINISH: 30µN MIN SELECTIVE GOLD IN CONTACT AREA, SELECTIVE TIN ON PCB TAILS, NICKEL OVERALL.
 3. REFER TO MOLEX PRODUCT SPEC PS-76060-999 FOR PERFORMANCE SPECIFICATIONS AND ADDITIONAL PCB INFORMATION.
 4. EACH SIGNAL WAFER CONTAINS 2 COLUMNS OF TERMINALS.
 5. PRODUCT IS PACKAGED PER PK-70873-611.
 6. THIS PART CONFORMS TO CLASS B REQUIREMENTS OF COSMETIC SPEC PS-45499-002.
 7. REFER TO MOLEX SALES DRAWING SD-76055-003 FOR THE MATING HEADERS.
 8. REFER TO MOLEX PCB MOUNTING GUIDE AS 76060-990 FOR ANTIPAD AND ROUTING RECOMMENDATIONS.
 9. PART NUMBER 76060-5120 SHOWN ON DRAWING. KEYING FEATURES WILL CHANGE WITH COLUMN SIZE.
 10. MINIMUM BOARD THICKNESS IS 1.00 mm FOR COMPLIANT PIN FUNCTIONALITY.
 11. WHEN USING MOLEX SUPPLIED #2-32 SCREW 73726-0000 (9.50mm ±0.38 THREADABLE SCREW LENGTH), THE MAXIMUM BOARD THICKNESS IS 4.4mm.

UPD TO ENHANCED EC NO: UCP2015-2361 DRWN: JGM/ALZ01 2015/02/04 CHKD: APPR: TELO 2015/02/09 DESCRIPTION REV	QUALITY SYMBOLS	GENERAL TOLERANCES (UNLESS SPECIFIED)	DIMENSION STYLE	SCALE	DESIGN UNITS	THIRD ANGLE PROJECTION
	4 PLACES ± --- ± --- 3 PLACES ± --- ± --- 2 PLACES ± 0.13 ± --- 1 PLACE ± 0.25 ± --- 0 PLACE ± ±	mm INCH ± --- ± --- ± --- ± --- ± --- ± --- ± --- ± ---	MM ONLY	3:1	METRIC	TITLE IMPACT 100 OHM DC 5 PAIR SIGNAL MODULE GUIDE RIGHT SALES DWG molex DOCUMENT NO. SD-76060-004 SHEET NO. 1 OF 2
ANGULAR ± 1/2° DRAFT WHERE APPLICABLE MUST REMAIN WITHIN DIMENSIONS		DRAWN BY: JLAURX DATE: 2008/06/12 CHECKED BY: TELO DATE: 2008/06/12 APPROVED BY: JLAURX DATE: 2010/11/04	THIS DRAWING CONTAINS INFORMATION THAT IS PROPRIETARY TO MOLEX INCORPORATED AND SHOULD NOT BE USED WITHOUT WRITTEN PERMISSION			

1b_frame_C.P.AM.T Rev. G 2012/01/11 12 11 10 9 8 7 6 5 4 3 2 1

MATERIAL NUMBER	# OF COLUMNS	# OF DIFF PAIR	DIM 'A' MAX	DIM 'B'	PTH ϕ
76060-***0	10	50	26.60	17.10	0.46 ± 0.05
76060-***2	12	60	30.40	20.90	
76060-***4	14	70	34.20	24.70	
76060-***6	16	80	38.00	28.50	
76060-***0	10	50	26.60	17.10	0.39 ± 0.05
76060-***2	12	60	30.40	20.90	
76060-***4	14	70	34.20	24.70	
76060-***6	16	80	38.00	28.50	

76060-****

MODULE & TAIL PLATING TYPE
5 = RIGHT GUIDED LEAD-FREE

POLARIZATION KEY ORIENTATION
0 = NO KEY

- 1 = A
- 2 = B
- 3 = C
- 4 = D
- 5 = E
- 6 = F
- 7 = G
- 8 = H

OF COLUMNS

- 10 = 10 COL 0.46 PTH
- 12 = 12 COL 0.46 PTH
- 14 = 14 COL 0.46 PTH
- 16 = 16 COL 0.46 PTH
- 20 = 10 COL 0.39 PTH
- 22 = 12 COL 0.39 PTH
- 24 = 14 COL 0.39 PTH
- 26 = 16 COL 0.39 PTH

STANDARDIZATION IEC NO: UCP2015-3161 DRAWN: JGONZALEZ01 2015/02/04 CHKD: TEL0 APPR: TEL0 2015/02/09	QUALITY SYMBOLS 	GENERAL TOLERANCES (UNLESS SPECIFIED)		DIMENSION STYLE MM ONLY		SCALE 3:1	DESIGN UNITS METRIC	THIRD ANGLE PROJECTION	
		4 PLACES \pm --- \pm ---	mm	INCH	DRAWN BY JLAURX	DATE 2008/06/12	TITLE IMPACT 100 OHM DC 5 PAIR SIGNAL MODULE GUIDE RIGHT SALES DWG molex MATERIAL NO. SD-76060-004 DOCUMENT NO. SHEET NO. 2 OF 2		
		3 PLACES \pm --- \pm ---			CHECKED BY TELO	DATE 2008/06/12			
		2 PLACES ± 0.13 \pm ---			APPROVED BY JLAURX	DATE 2010/11/04			
1 PLACE ± 0.25 \pm ---									
			0 PLACE \pm \pm						
			ANGULAR $\pm 1/2^\circ$		DRAFT WHERE APPLICABLE MUST REMAIN WITHIN DIMENSIONS				
			SEE CHART		THIS DRAWING CONTAINS INFORMATION THAT IS PROPRIETARY TO MOLEX INCORPORATED AND SHOULD NOT BE USED WITHOUT WRITTEN PERMISSION				