

Excellent Integrated System Limited

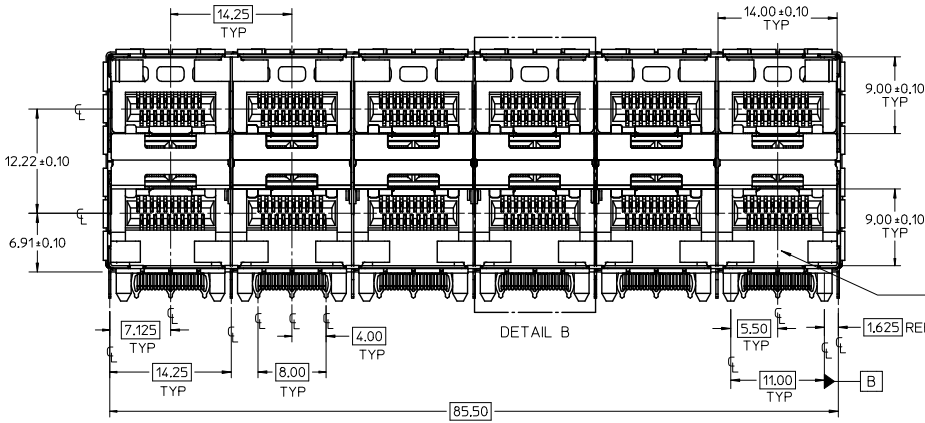
Stocking Distributor

Click to view price, real time Inventory, Delivery & Lifecycle Information:

[Molex Connector Corporation](#)
[0760685001](#)

For any questions, you can email us directly:

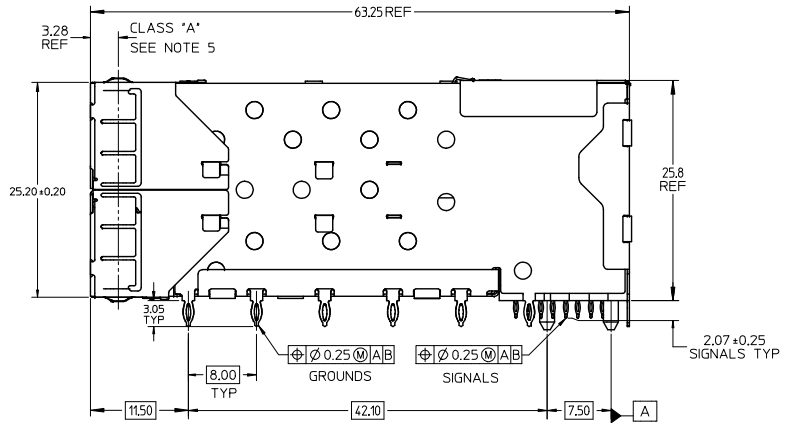
sales@integrated-circuit.com



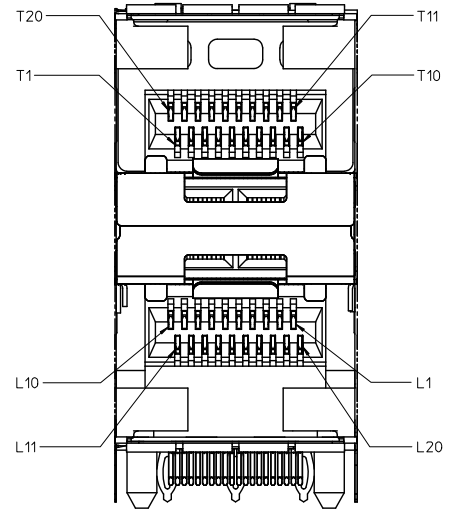
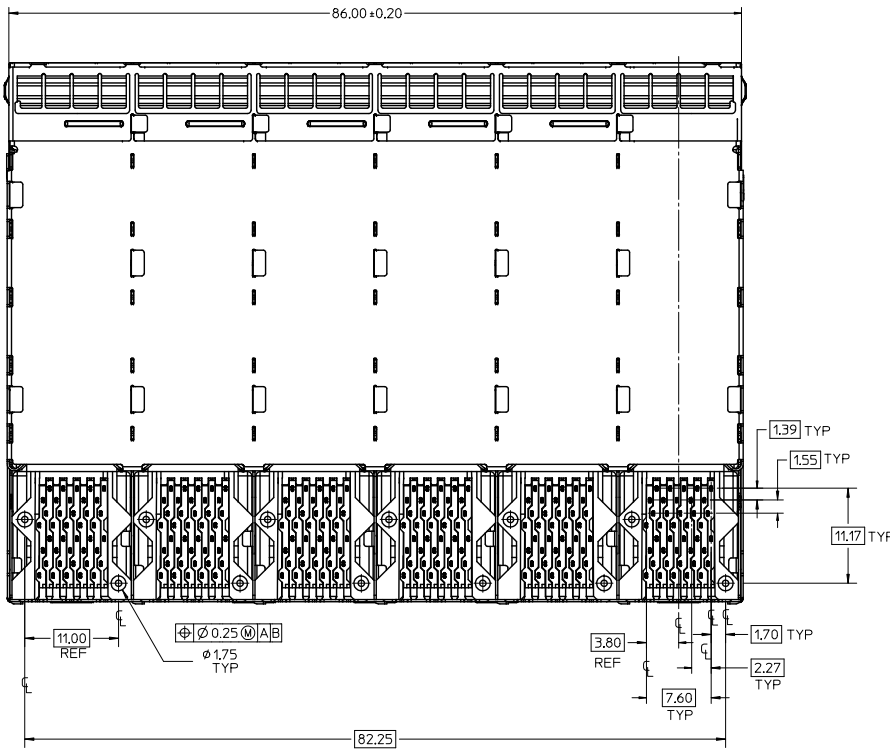
MATERIAL NO.	TAIL PLATING
760680001	MATTE TIN / LEAD
760685001	MATTE TIN

DATE CODE LOCATION
SEE NOTE 7
6X

- NOTES:
- MATERIAL:
 - CAGE: NICKEL SILVER, THICKNESS: 0.25mm
 - CONNECTOR HOUSING: GLASS FILLED LIQUID CRYSTAL POLYMER (LCP), UL 94V-0, COLOR: BLACK
 - OVERMOLD TERMINAL HOUSING: GLASS FILLED LIQUID CRYSTAL POLYMER (LCP), UL 94V-0, COLOR: BLACK
 - TERMINALS: TIN BRASS
 - EMI GASKET: CONDUCTIVE ELASTOMER
 - FINISHES:
 - TERMINALS: CONTACT AREA: 0.76 MICROMETERS MINIMUM HARD GOLD OVER 1.27 MICROMETERS MINIMUM NICKEL.
 - COMPLIANT TAIL - MATTE TIN/LEAD OPTION: 0.76 TO 1.52 MICROMETERS 90/10 MATTE TIN-LEAD OVER 0.76 MICROMETERS MINIMUM NICKEL.
 - COMPLIANT TAIL - MATTE TIN OPTION: 0.76 TO 1.52 MICROMETERS MATTE TIN OVER 0.76 MICROMETERS MINIMUM NICKEL.
 - REFER TO PS-75310-001 PRODUCT SPEC FOR ALL ELECTRICAL, MECHANICAL AND ENVIRONMENTAL SPECIFICATIONS.
 - REFER TO PK-75451-001 FOR ALL PACKAGING SPECIFICATIONS.
 - ALL EXTERIOR SURFACES TO BE CLASS 'B' SURFACE EXCEPT THE UNDER SIDE OF THE CAGE WHERE THE PCB WOULD BE LOCATED AND AS NOTED. THE SURFACES TO CONFORM TO THE MOLEX COSMETIC DOC PS-45499-002.
 - REFER TO AS-76090-001 FOR HIGH SPEED ROUTING RECOMMENDATIONS.
 - DATE CODE LOCATION IS SHOWN ABOVE.
 - DATE CODE FORMAT: DDDY MX A1
 - DDD = DAY OF THE YEAR
 - Y = YEAR
 - MX = MOLEX
 - A = ALPHA CHARACTER - INDICATES MANUFACTURING LINE
 - 1 = NUMERIC CHARACTER - INDICATES PRODUCTION SHIFT

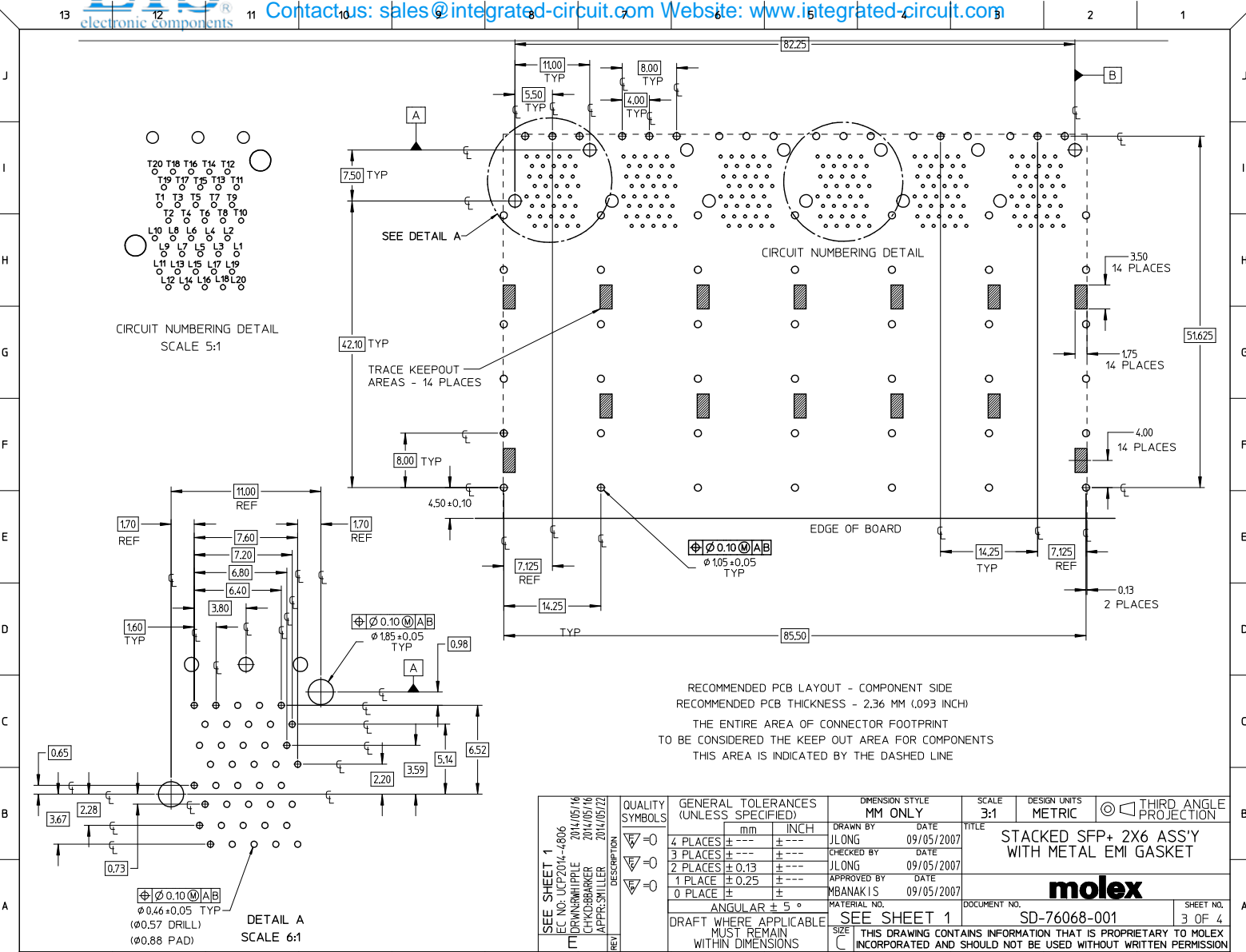


UPDATE BOTTOM VIEW (SMT 2) EC NO: UCP2014-4806 DRAWN BY: JLONG 2014/05/16 CHECKED BY: JLONG 2014/05/16 APPROVED BY: MBANAKIS 2014/05/17	QUALITY SYMBOLS □=0 □=0 □=0	GENERAL TOLERANCES (UNLESS SPECIFIED)		DIMENSION STYLE MM ONLY		SCALE 3:1	DESIGN UNITS METRIC	THIRD ANGLE PROJECTION
		4 PLACES ± --- ± --- 3 PLACES ± --- ± --- 2 PLACES ± 0.13 ± --- 1 PLACE ± 0.25 ± --- 0 PLACE ± ±	mm INCH ± --- ± --- ± --- ± --- ± --- ± --- ± --- ± ---	DRAWN BY JLONG	DATE 09/05/2007	TITLE STACKED SFP+ 2X6 ASS'Y WITH METAL EMI GASKET		molex
ANGLULAR ± 5 ° DRAFT WHERE APPLICABLE MUST REMAIN WITHIN DIMENSIONS		SEE TABLE		MATERIAL NO. SD-76068-001		DOCUMENT NO.		THIS DRAWING CONTAINS INFORMATION THAT IS PROPRIETARY TO MOLEX INCORPORATED AND SHOULD NOT BE USED WITHOUT WRITTEN PERMISSION

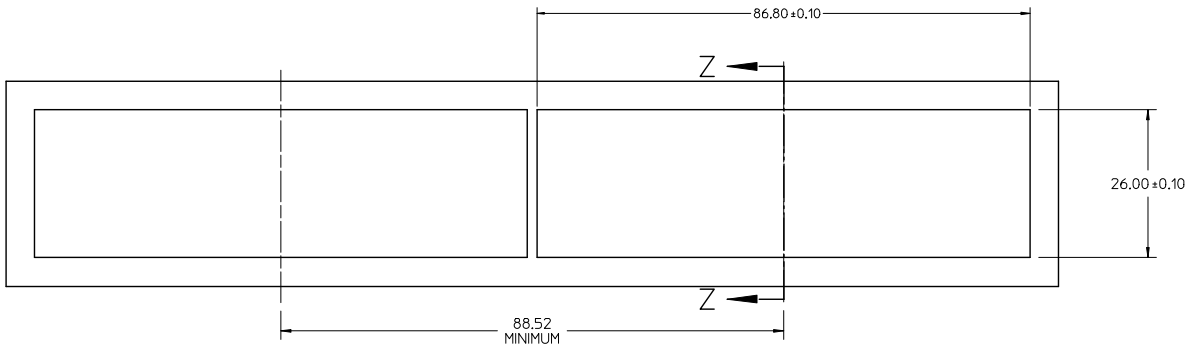


DETAIL B
SCALE 6:1
CIRCUIT NUMBERING

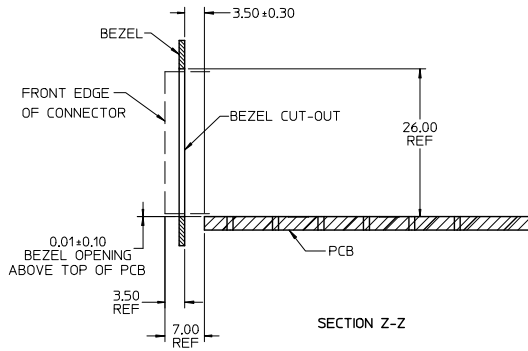
SEE SHEET 1 EC NO: UCF2014-4806 DRAWN BY: PPLE 2014/05/16 CHKD BY: BARKER 2014/05/16 APPR: SMILLER 2014/05/22	QUALITY SYMBOLS ∇=0 ∇=0 ∇=0	GENERAL TOLERANCES (UNLESS SPECIFIED)		DIMENSION STYLE MM ONLY		SCALE 3:1	DESIGN UNITS METRIC	THIRD ANGLE PROJECTION
		4 PLACES ± --- ± --- 3 PLACES ± --- ± --- 2 PLACES ± 0.13 ± --- 1 PLACE ± 0.25 ± --- 0 PLACE ± ±	mm INCH --- --- --- --- --- --- --- --- --- ---	DRAWN BY JLONG	DATE 09/05/2007	TITLE STACKED SFP+ 2X6 ASS'Y WITH METAL EMI GASKET		molex
MATERIAL NO. SEE SHEET 1	DOCUMENT NO. SD-76068-001	ANGULAR ± 5 ° DRAFT WHERE APPLICABLE MUST REMAIN WITHIN DIMENSIONS		THIS DRAWING CONTAINS INFORMATION THAT IS PROPRIETARY TO MOLEX INCORPORATED AND SHOULD NOT BE USED WITHOUT WRITTEN PERMISSION		SHEET NO. 2 OF 4		



SEE SHEET 1 EC NO: UC22014-4806 2014/05/16 DRAWN BY: CHKOBBARKER 2014/05/16 CHECKED BY: APPR:SMILLER 2014/05/17	QUALITY SYMBOLS ▽=0 ▽=0 ▽=0	GENERAL TOLERANCES (UNLESS SPECIFIED)		DIMENSION STYLE MM ONLY		SCALE 3:1	DESIGN UNITS METRIC	THIRD ANGLE PROJECTION	
		4 PLACES ± --- mm INCH		DRAWN BY: JLONG DATE: 09/05/2007		TITLE STACKED SFP+ 2X6 ASS'Y WITH METAL EMI GASKET			
		3 PLACES ± --- mm INCH		CHECKED BY: JLONG DATE: 09/05/2007					
		2 PLACES ± 0.13 mm INCH		APPROVED BY: MBANAKI S DATE: 09/05/2007		MATERIAL NO.		DOCUMENT NO.	
1 PLACE ± 0.25 mm INCH		0 PLACE ± --- mm INCH		ANGULAR ± 5°		SEE SHEET 1		SD-76068-001	3 OF 4
DRAFT WHERE APPLICABLE MUST REMAIN WITHIN DIMENSIONS		THIS DRAWING CONTAINS INFORMATION THAT IS PROPRIETARY TO MOLEX INCORPORATED AND SHOULD NOT BE USED WITHOUT WRITTEN PERMISSION							



BEZEL CUT-OUT DETAIL
BEZEL THICKNESS: 0.8 - 2.6



SECTION Z-Z

SEE SHEET 1 EC NO: UCF2014-4806 DRAWN BY: 2014/05/16 CHKD BY: 2014/05/16 APPR: MILLER 2014/05/16	QUALITY SYMBOLS ∇=0 ∇=0 ∇=0	GENERAL TOLERANCES (UNLESS SPECIFIED)		DIMENSION STYLE		SCALE	DESIGN UNITS	THIRD ANGLE PROJECTION STACKED SFP+ 2X6 ASS'Y WITH METAL EMI GASKET molex MATERIAL NO. SD-76068-001 DOCUMENT NO. SD-76068-001 SHEET NO. 4 OF 4	
				MM ONLY		2:1	METRIC		
		4 PLACES	±	---	---	DRAWN BY	DATE		
		3 PLACES	±	---	---	CHECKED BY	DATE		
2 PLACES	±	0.13	---	JLONG	09/05/2007				
1 PLACE	±	0.25	---	JLONG	09/05/2007				
0 PLACE	±			APPROVED BY	DATE				
				MBANAK I S	09/05/2007				
		ANGULAR ± 5 °		MATERIAL NO.		DOCUMENT NO.			
		DRAFT WHERE APPLICABLE MUST REMAIN WITHIN DIMENSIONS		SEE SHEET 1					
				SIZE C		THIS DRAWING CONTAINS INFORMATION THAT IS PROPRIETARY TO MOLEX INCORPORATED AND SHOULD NOT BE USED WITHOUT WRITTEN PERMISSION			