

Excellent Integrated System Limited

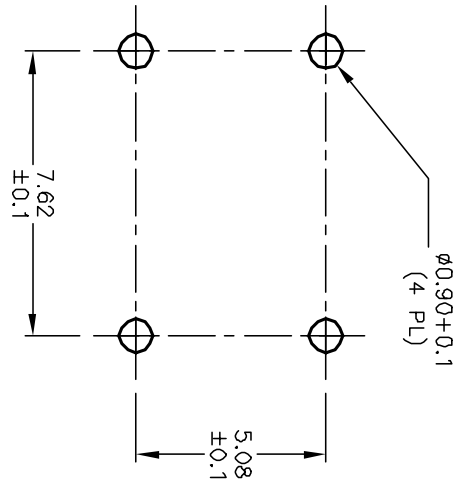
Stocking Distributor

Click to view price, real time Inventory, Delivery & Lifecycle Information:

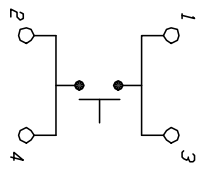
[E-Switch](#)
[GS6.90F130QP](#)

For any questions, you can email us directly:

sales@integrated-circuit.com



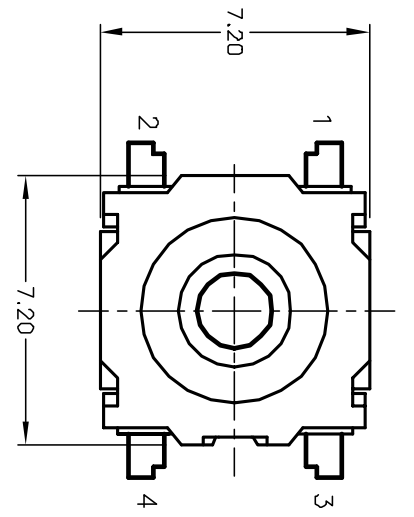
RECOMMENDED P.C.B. LAYOUT



CIRCUIT: SPST

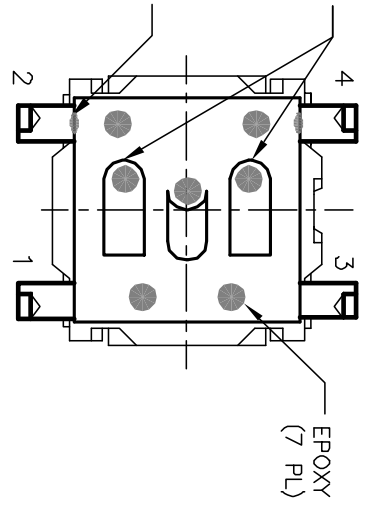
NOTES:

1. ALL DIMENSIONS IN MM
2. GENERAL TOLERANCE: X.X=±0.4
X.XX=±0.25
3. TERM. NOS. FOR REF. ONLY
4. ACTUATION FORCE: 130±40gf
5. TRAVEL TO MAKE: 0.3mm +0.4/0.0
6. RATING: 30mA, @12V DC
7. CONTACT RESISTANCE: 50 MILLI-OHMS (Initial)
8. DIELECTRIC STRENGTH: 300 V RMS min at sea level.
9. ELECTRICAL LIFE CYCLE: 400,000 make & break cycles at full load.
10. ▲ DESIGNATE MAJOR DIMENSIONS.
11. OPERATING TEMP: -40°C to +85°C

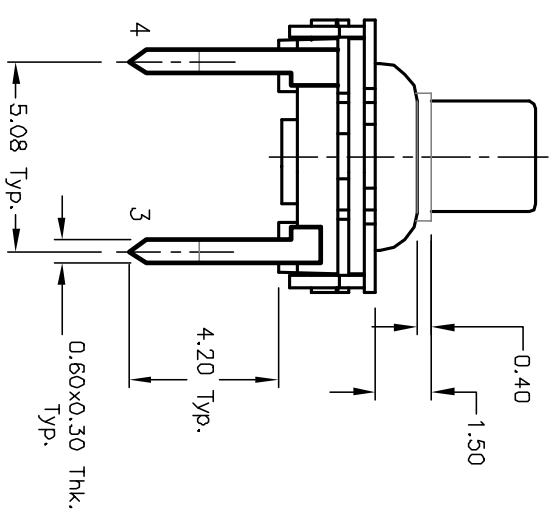
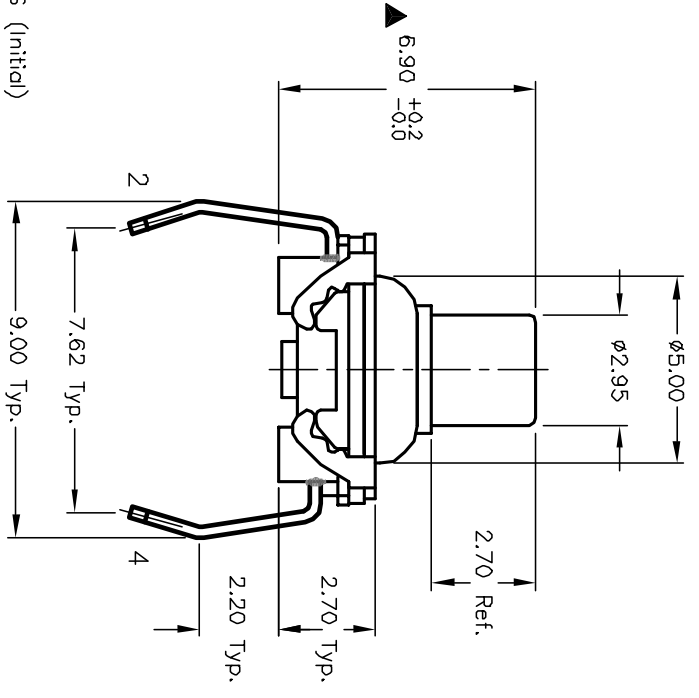


RADIUS FEATURE TO I.D. TERMINAL 2 & 4 LOCATION

▲ EPOXY SEAL AROUND TERM# 2 & 4



EPOXY (7 PL)



B	12191	REVISED NOTE 9, ADD NOTE11	5/28/02	CB
A	10143	RELEASED FOR PRODUCTION	3-5-99	MM
REV.	ECN No.	DESCRIPTION	DATE	CHKD

TITLE		SCALE		DATE		DR		DWG		REV	
GS6.90 F130 QP		5:1		3/5/99		MM		L300001		B	
WASHABLE TACT SWITCH											

E-SWITCH®

THE INFORMATION CONTAINED IN THIS DOCUMENT IS PROPRIETARY TO E-SWITCH AND IS NOT TO BE COPIED OR TRANSMITTED