

Excellent Integrated System Limited

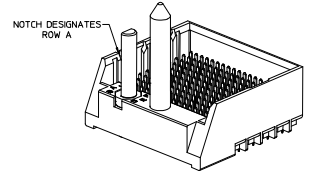
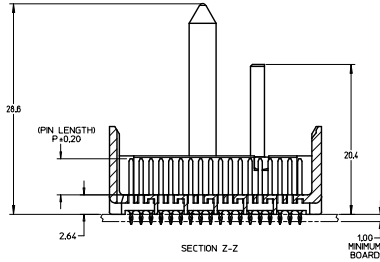
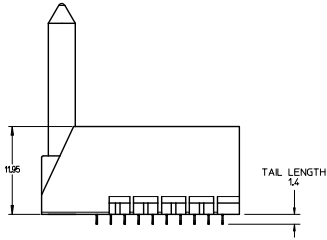
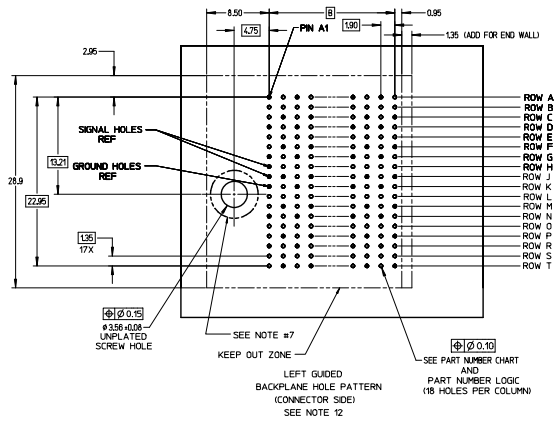
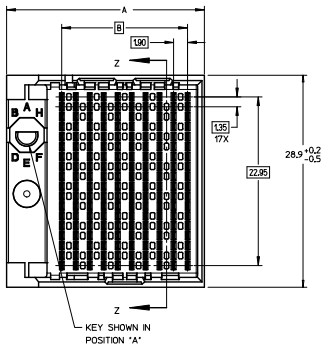
Stocking Distributor

Click to view price, real time Inventory, Delivery & Lifecycle Information:

[Molex Connector Corporation](#)
[0761456108](#)

For any questions, you can email us directly:

sales@integrated-circuit.com



Pd-Ni
PLATING

NOTES:

1. MATERIALS: HOUSING - LIQUID CRYSTAL POLYMER (LCP)
GLASS-FILLED, UL94V-0
- TERMINALS - HIGH PERFORMANCE COPPER ALLOY
2. FINISH: 5 MICRONCH MINIMUM GOLD FLASH OVER 20 MICRONCH MINIMUM Pd-Ni IN CONTACT AREA. SELECTIVE TIN ON PCB TAILS. NICKEL OVERALL.
3. REFER TO MOLEX PRODUCT SPECIFICATION PS-76060-999 FOR PERFORMANCE SPECIFICATIONS AND ADDITIONAL PCB INFORMATION.
4. THIS PART CONFORMS TO CLASS B REQUIREMENTS OF MOLEX COSMETIC SPEC PS-45499-002.
5. PACKAGE PER: PK-70873-760
6. SEE SHEETS 2 & 3 FOR PART NUMBERS AND BOARD RELATIONSHIPS.
7. FOR GROUNDED GUIDE PINS USE DIA: 3.56 +/- 0.08 (PTH) DIA. 3.66 (DRILL) AND DIA 6.5 (PAD).
8. MATES WITH IMPACT DC SERIES NO. 76150.
9. KEEP OUT ZONE FOR BP HOUSING LENGTH INCLUDES AN ADDITIONAL 10MM TO ACCOMMODATE FOR SPACE REQUIRED BY DC FRONT HOUSING.
10. REFER TO MOLEX PCB ROUTING GUIDE AS-76060-990 FOR ANTI PAD AND ROUTING RECOMMENDATIONS.
11. CONNECTORS SUPPLIED WITH A 2-56 UNC-2A SCREW.
12. THESE DIMENSIONS REPRESENT THE AREA NEEDED TO ACCOMMODATE CONNECTOR INSERTION AND REPAIR ON THE PCB BOARD. THIS IS REFERRED TO AS THE "CONNECTOR KEEP OUT ZONE" AND DOES NOT REPRESENT THE ACTUAL PERIMETER OF THE CONNECTOR, WHEN LAYING OUT A PCB BOARD FOR CONNECTORS STACKED TOGETHER, USE A 1.9mm PROGRESSION.

| QUALITY SYMBOLS | GENERAL TOLERANCES (UNLESS SPECIFIED) | | DIMENSION STYLE | | SCALE | DESIGN UNITS | THIRD ANGLE PROJECTION |
|-----------------|---------------------------------------|------|---|------------|-------|--------------|------------------------|
| | mm | INCH | MM ONLY | METRIC | | | |
| ▽=0 | 4 PLACES ± | --- | DRAWN BY | DATE | 4:1 | METRIC | |
| ▽=0 | 3 PLACES ± | --- | SVANG01 | 2015/12/09 | | | |
| ▽=0 | 2 PLACES ± | 0.13 | CHECKED BY | DATE | | | |
| ▽=0 | 1 PLACE ± | 0.25 | WOLFE | 2015/12/09 | | | |
| ▽=0 | 0 PLACE ± | ± | APPROVED BY | DATE | | | |
| | | | SMILLER | 2015/12/17 | | | |
| | | | ANGULAR ±1/2° | | | | |
| | | | DRAFT WHERE APPLICABLE MUST REMAIN WITHIN DIMENSIONS | | | | |
| | | | SEE TABLE | | | | |
| | | | THIS DRAWING CONTAINS INFORMATION THAT IS PROPRIETARY TO MOLEX INCORPORATED AND SHOULD NOT BE USED WITHOUT WRITTEN PERMISSION | | | | |

IMPACT 6 PAIR HEADER
LEFT GUIDED PDNI
ASSEMBLY SALES DRAWING

molex

DOCUMENT NO. RSD-173432-002

SHEET NO. 1 OF 3

PART NUMBER LOGIC

173432-***

MODULE TYPE

- 3 = GUIDE LEFT, TIN
- 7 = GUIDE LEFT END WALL, TIN

OF COLUMNS

- 1 = 10 COL
- 6 = 16 COL
- 7 = 14 COL

PIN LENGTH (P)

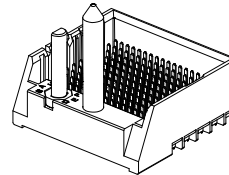
- 3 = 4.50 (SHORT COMPLIANT, 0.46±0.05 PTH)
- 4 = 4.90 (SHORT COMPLIANT, 0.46±0.05 PTH)
- 5 = 5.50 (SHORT COMPLIANT, 0.46±0.05 PTH)
- 6 = 4.50 (MICRO COMPLIANT, 0.39±0.05 PTH)
- 7 = 4.90 (MICRO COMPLIANT, 0.39±0.05 PTH)
- 8 = 5.50 (MICRO COMPLIANT, 0.39±0.05 PTH)

KEY ORIENTATION

- 0 = NO KEY
- 1 = A
- 2 = B
- 3 = C
- 4 = D
- 5 = E
- 6 = F
- 7 = G
- 8 = H

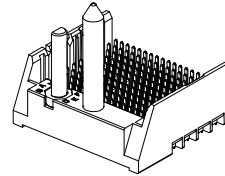
PART NUMBER TABLE

| MATERIAL NUMBER | # OF COLUMNS | # OF DIFF PAIR | DIM 'A' | DIM 'B' | |
|---------------------|--------------|----------------|---------|---------|----------------------------------|
| 173432- *1** | 10 | 60 | 26.9 | 17.10 | GUIDE LEFT END WALL OPTION |
| 173432- *7** | 14 | 84 | 34.5 | 24.70 | |
| 173432- *6** | 16 | 96 | 38.3 | 28.50 | |



GUIDE LEFT
END WALL
OPTION

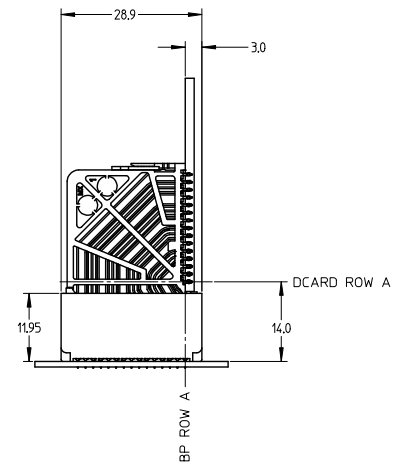
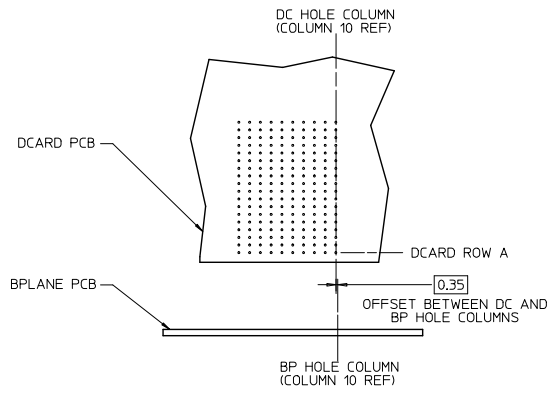
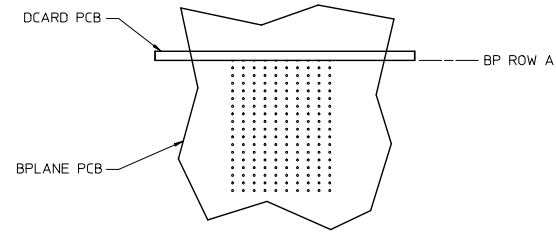
| MATERIAL NUMBER | # OF COLUMNS | # OF DIFF PAIR | DIM 'A' | DIM 'B' | |
|---------------------|--------------|----------------|---------|---------|-----------------------------------|
| 173432- *1** | 10 | 60 | 25.5 | 17.10 | GUIDE LEFT OPEN WALL OPTION |
| 173432- *7** | 14 | 84 | 33.1 | 24.70 | |
| 173432- *6** | 16 | 96 | 36.9 | 28.50 | |



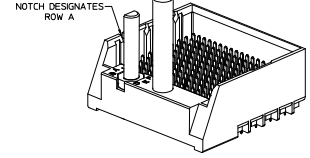
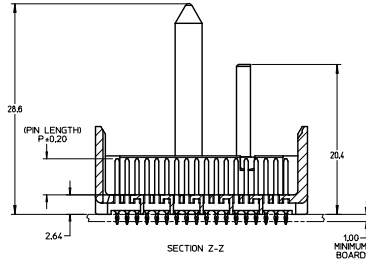
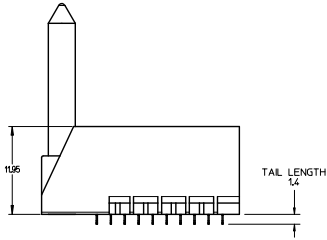
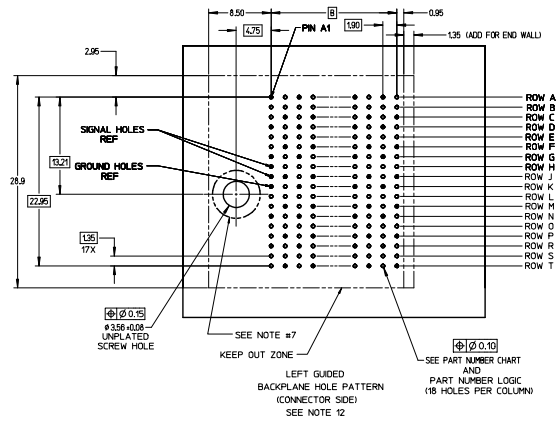
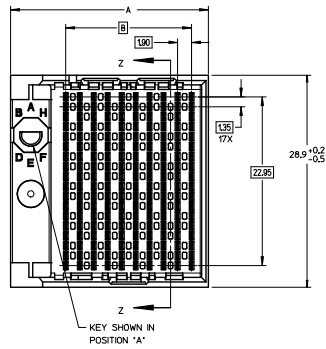
GUIDE LEFT
OPEN WALL
OPTION

| | | | | | | | | | |
|---|--------------------------------------|---------------------------------------|--|--|--|------------------|--------------|--|--|
| SEE SHEET 1 EC NO: UCP2016-2332 DRAWN BY: SVANG01 CHK: MWOLFE APPR: SMILLER DATE: 2015/12/09 DATE: 2015/12/09 DATE: 2015/12/17 | QUALITY SYMBOLS ∇=0 ∇=0 ∇=0 | GENERAL TOLERANCES (UNLESS SPECIFIED) | | DIMENSION STYLE | | SCALE | DESIGN UNITS | THIRD ANGLE PROJECTION | |
| | | | | MM ONLY | | 2:1 | METRIC | | |
| | | 4 PLACES ± --- ± --- | | DRAWN BY: SVANG01 | | DATE: 2015/12/09 | | TITLE IMPACT 6 PAIR HEADER LEFT GUIDED PDNI ASSEMBLY SALES DRAWING molex MATERIAL NO. RSD-173432-002 DOCUMENT NO. SHEET NO. 2 OF 3 | |
| | | 3 PLACES ± --- ± --- | | CHECKED BY: MWOLFE | | DATE: 2015/12/09 | | | |
| 2 PLACES ± 0.13 ± --- | | APPROVED BY: SMILLER | | DATE: 2015/12/17 | | | | | |
| 1 PLACE ± 0.25 ± --- | | | | | | | | | |
| 0 PLACE ± ± | | | | | | | | | |
| | | ANGULAR ± 1/2° | | DRAFT WHERE APPLICABLE MUST REMAIN WITHIN DIMENSIONS | | | | | |

IMPACT 6 PAIR
BOARD RELATIONSHIPS



| | | | | | | | | | | | |
|--|--------------------------------------|--|---|-----------------|------------|---|--------------|--|--|--|--|
| SEE SHEET 1 EC NO: UCP2016-2332 DRAWN BY: 2015/12/09 CHKD BY: 2015/12/09 APPR: MILLER 2015/12/17 | QUALITY SYMBOLS ∇=0 ∇=0 ∇=0 | GENERAL TOLERANCES (UNLESS SPECIFIED) | | DIMENSION STYLE | | SCALE | DESIGN UNITS | THIRD ANGLE PROJECTION | | | |
| | | | | MM ONLY | | 2:1 | METRIC | | | | |
| | | | | mm | INCH | DRAWN BY | DATE | TITLE | | | |
| | | | | 4 PLACES ± | ± | SVANG01 | 2015/12/09 | IMPACT 6 PAIR HEADER LEFT GUIDED PDNI ASSEMBLY SALES DRAWING | | | |
| | | 3 PLACES ± | ± | CHECKED BY | DATE | | | | | | |
| | | 2 PLACES ± 0.13 | ± | MWOLFE | 2015/12/09 | | | | | | |
| | | 1 PLACE ± 0.25 | ± | APPROVED BY | DATE | DOCUMENT NO. | | SHEET NO. | | | |
| | | 0 PLACE ± | ± | MILLER | 2015/12/17 | RSD-173432-002 | | 3 OF 3 | | | |
| | | ANGULAR ±1/2° | | MATERIAL NO. | | | | | | | |
| | | DRAFT WHERE APPLICABLE MUST REMAIN WITHIN DIMENSIONS | | SEE TABLE | | | | | | | |
| | | | | SIZE C | | THIS DRAWING CONTAINS INFORMATION THAT IS PROPRIETARY TO MOLEX INCORPORATED AND SHOULD NOT BE USED WITHOUT WRITTEN PERMISSION | | | | | |



- NOTES:
1. MATERIALS: HOUSING - LIQUID CRYSTAL POLYMER (LCP)
GLASS-FILLED, UL94V-0
TERMINALS - HIGH PERFORMANCE COPPER ALLOY
SELECTIVE TIN ON PCB TAILS,
NICKEL OVERALL.
 2. REFER TO MOLEX PRODUCT SPECIFICATION PS-76060-999
FOR PERFORMANCE SPECIFICATIONS AND ADDITIONAL PCB INFORMATION.
 3. THIS PART CONFORMS TO CLASS B REQUIREMENTS OF
MOLEX COSMETIC SPEC PS-45499-002.
 4. PACKAGE PERL: PK-70873-760
 5. SEE SHEETS 2 & 3 FOR PART NUMBERS AND BOARD RELATIONSHIPS.
 6. FOR GROUNDED GUIDE PINS USE DIA. 3.56 +/- 0.08 (PTH)
DIA. 3.66 (DRILL) AND DIA. 6.5 (PAD).
 7. MATES WITH IMPACT DC SERIES NO. 76150.
 8. KEEP OUT ZONE FOR BP HOUSING LENGTH INCLUDES AN ADDITIONAL 1.0MM
TO ACCOMMODATE FOR SPACE REQUIRED BY DC FRONT HOUSING.
 9. REFER TO MOLEX PCB ROUTING GUIDE AS-76060-990 FOR ANTI PAD AND ROUTING RECOMMENDATIONS.
 10. CONNECTORS SUPPLIED WITH A 2-56 UNC-2A SCREW.
 11. THESE DIMENSIONS REPRESENT THE AREA NEEDED TO ACCOMMODATE CONNECTOR INSERTION AND
REPAIR ON THE PCB BOARD. THIS IS REFERRED TO AS THE 'CONNECTOR KEEP OUT ZONE' AND
DOES NOT REPRESENT THE ACTUAL PERIMETER OF THE CONNECTOR. WHEN LAYING OUT A PCB BOARD
FOR CONNECTORS STACKED TOGETHER, USE A 1.5mm PROGRESSION.

| REVISED (MINOR) ECN NO. UEP2014-0887 DRAWN: B. INGRAM CHECKED: J. LAURX APPR: J. LAURX DATE: 2010/07/12 | QUALITY SYMBOLS $\nabla=0$ $\nabla=0$ $\nabla=0$ | GENERAL TOLERANCES (UNLESS SPECIFIED) <table border="1"> <tr> <th></th> <th>mm</th> <th>INCH</th> </tr> <tr> <td>4 PLACES</td> <td>±0.13</td> <td>±0.005</td> </tr> <tr> <td>3 PLACES</td> <td>±0.25</td> <td>±0.010</td> </tr> <tr> <td>2 PLACES</td> <td>±0.50</td> <td>±0.020</td> </tr> <tr> <td>1 PLACE</td> <td>±1.00</td> <td>±0.040</td> </tr> <tr> <td>0 PLACE</td> <td>±</td> <td>±</td> </tr> </table> | | mm | INCH | 4 PLACES | ±0.13 | ±0.005 | 3 PLACES | ±0.25 | ±0.010 | 2 PLACES | ±0.50 | ±0.020 | 1 PLACE | ±1.00 | ±0.040 | 0 PLACE | ± | ± | DIMENSION STYLE MM ONLY DRAWN BY: MSANDBERG DATE: 2007/12/26 CHECKED BY: JLAURX DATE: 2007/12/26 APPROVED BY: JLAURX DATE: 2010/02/22 | SCALE: 4:1 DESIGN UNITS: METRIC THIRD ANGLE PROJECTION | TITLE: IMPACT 6 PAIR HEADER LEFT GUIDED ASSEMBLY SALES DRAWING | DOCUMENT NO.: SD-76145-002 SHEET NO.: 1 OF 3 |
|---|---|--|------|----|------|----------|-------|--------|----------|-------|--------|----------|-------|--------|---------|-------|--------|---------|---|---|--|--|--|---|
| | | mm | INCH | | | | | | | | | | | | | | | | | | | | | |
| 4 PLACES | ±0.13 | ±0.005 | | | | | | | | | | | | | | | | | | | | | | |
| 3 PLACES | ±0.25 | ±0.010 | | | | | | | | | | | | | | | | | | | | | | |
| 2 PLACES | ±0.50 | ±0.020 | | | | | | | | | | | | | | | | | | | | | | |
| 1 PLACE | ±1.00 | ±0.040 | | | | | | | | | | | | | | | | | | | | | | |
| 0 PLACE | ± | ± | | | | | | | | | | | | | | | | | | | | | | |
| MATERIALS: SEE TABLE DRAFT WHERE APPLICABLE MUST REMAIN WITHIN DIMENSIONS THIS DRAWING CONTAINS INFORMATION THAT IS PROPRIETARY TO MOLEX INCORPORATED AND SHOULD NOT BE USED WITHOUT WRITTEN PERMISSION | | | | | | | | | | | | | | | | | | | | | | | | |

PART NUMBER LOGIC

76145-***

MODULE TYPE

- 3 = GUIDE LEFT, TIN
- 7 = GUIDE LEFT END WALL, TIN

OF COLUMNS

- 1 = 10 COL
- 6 = 16 COL
- 7 = 14 COL

PIN LENGTH (P)

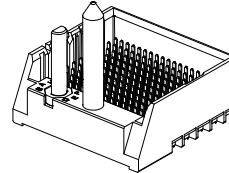
- 3 = 4.50 (SHORT COMPLIANT, 0.46±0.05 PTH)
- 4 = 4.90 (SHORT COMPLIANT, 0.46±0.05 PTH)
- 5 = 5.50 (SHORT COMPLIANT, 0.46±0.05 PTH)
- 6 = 4.50 (MICRO COMPLIANT, 0.39±0.05 PTH)
- 7 = 4.90 (MICRO COMPLIANT, 0.39±0.05 PTH)
- 8 = 5.50 (MICRO COMPLIANT, 0.39±0.05 PTH)

KEY ORIENTATION

- 0 = NO KEY
- 1 = A
- 2 = B
- 3 = C
- 4 = D
- 5 = E
- 6 = F
- 7 = G
- 8 = H

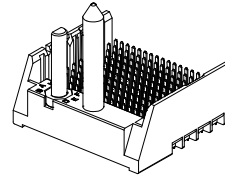
PART NUMBER TABLE

| MATERIAL NUMBER | # OF COLUMNS | # OF DIFF PAIR | DIM 'A' | DIM 'B' | |
|-----------------|--------------|----------------|---------|---------|----------------------------------|
| 76145-1** | 10 | 60 | 26.9 | 17.10 | GUIDE LEFT END WALL OPTION |
| 76145-7** | 14 | 84 | 34.5 | 24.70 | |
| 76145-6** | 16 | 96 | 38.3 | 28.50 | |



GUIDE LEFT
END WALL
OPTION

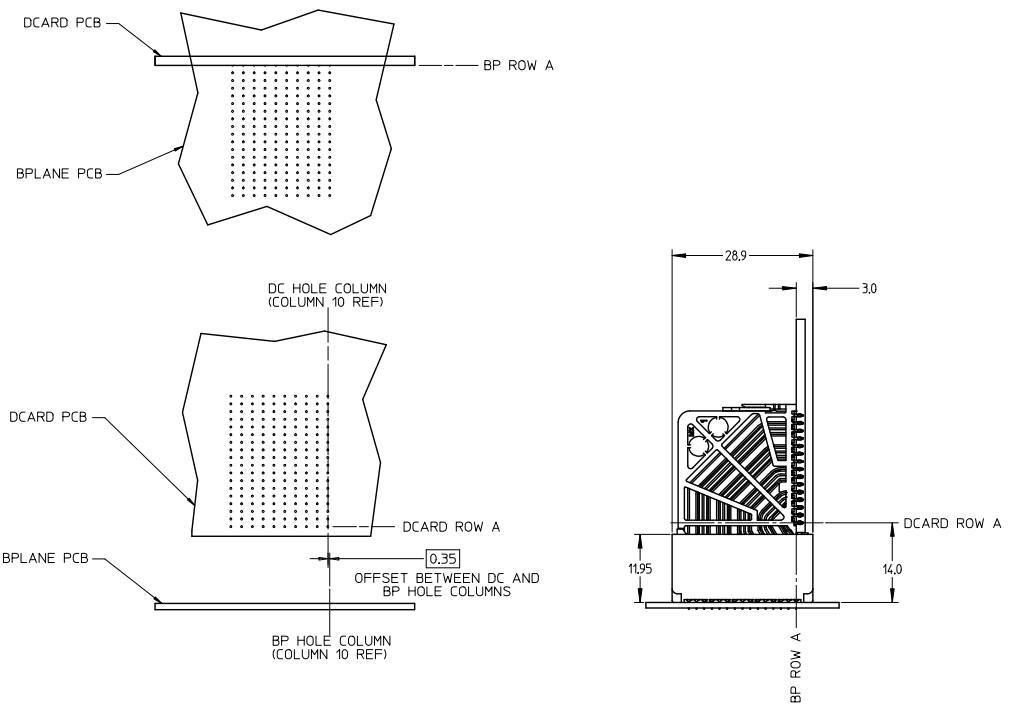
| MATERIAL NUMBER | # OF COLUMNS | # OF DIFF PAIR | DIM 'A' | DIM 'B' | |
|-----------------|--------------|----------------|---------|---------|-----------------------------------|
| 76145-1** | 10 | 60 | 25.5 | 17.10 | GUIDE LEFT OPEN WALL OPTION |
| 76145-7** | 14 | 84 | 33.1 | 24.70 | |
| 76145-6** | 16 | 96 | 36.9 | 28.50 | |



GUIDE LEFT
OPEN WALL
OPTION

| | | | | | | | | | |
|--|--------------------------------------|---------------------------------------|--|---|--------------|--|--------------|------------------------|--|
| SEE SHEET 1 EC NO: UCP2014-0887 DRAWN BY: B. INDIAN 2013/08/25 CHKD: JLAURX 2013/08/25 APPR: JLAURX 2013/09/25 | QUALITY SYMBOLS ∇=0 ∇=0 ∇=0 | GENERAL TOLERANCES (UNLESS SPECIFIED) | | DIMENSION STYLE | | SCALE | DESIGN UNITS | THIRD ANGLE PROJECTION | |
| | | | | MM ONLY | | 2:1 | METRIC | | |
| | | 4 PLACES ± --- ± --- | | DRAWN BY: MSANDBERG DATE: 2007/12/26 | | TITLE IMPACT 6 PAIR HEADER LEFT GUIDED ASSEMBLY SALES DRAWING | | | |
| | | 3 PLACES ± --- ± --- | | CHECKED BY: JLAURX DATE: 2007/12/26 | | | | | |
| 2 PLACES ± 0.13 ± --- | | APPROVED BY: JLAURX DATE: 2010/02/22 | | | | | | | |
| 1 PLACE ± 0.25 ± --- | | | | | | | | | |
| 0 PLACE ± ± | | ANGULAR ± 1/2° | | MATERIAL NO. | DOCUMENT NO. | SHEET NO. | | | |
| DRAFT WHERE APPLICABLE MUST REMAIN WITHIN DIMENSIONS | | SEE TABLE | | SD-76145-002 | | 2 OF 3 | | | |
| | | | | THIS DRAWING CONTAINS INFORMATION THAT IS PROPRIETARY TO MOLEX INCORPORATED AND SHOULD NOT BE USED WITHOUT WRITTEN PERMISSION | | | | | |

IMPACT 6 PAIR
BOARD RELATIONSHIPS



| | | | | | | | | |
|--|--------------------------------------|--|--|----------------------------|--------------------|--|------------------------|--|
| SEE SHEET 1 IEC NO: UCPC2014-0887 DRAWN: B INGRAM 2013/08/29 CHKD: JLAURX 2013/08/29 APPR: JLAURX 2013/09/23 | QUALITY SYMBOLS ∇=0 ∇=0 ∇=0 | GENERAL TOLERANCES (UNLESS SPECIFIED) | | DIMENSION STYLE MM ONLY | | SCALE 2:1 | DESIGN UNITS METRIC | THIRD ANGLE PROJECTION |
| | | 4 PLACES ± --- ± --- 3 PLACES ± --- ± --- 2 PLACES ± 0.13 ± --- 1 PLACE ± 0.25 ± --- 0 PLACE ± ± | mm INCH --- --- --- --- --- --- --- --- --- --- | DRAWN BY MSANDBERG | DATE 2007/12/26 | TITLE IMPACT 6 PAIR HEADER LEFT GUIDED ASSEMBLY SALES DRAWING | | molex |
| G1 | DESCRIPTION REV | ANGULAR ±1/2° DRAFT WHERE APPLICABLE MUST REMAIN WITHIN DIMENSIONS | | MATERIAL NO. SEE TABLE | | DOCUMENT NO. SD-76145-002 | SHEET NO. 3 OF 3 | THIS DRAWING CONTAINS INFORMATION THAT IS PROPRIETARY TO MOLEX INCORPORATED AND SHOULD NOT BE USED WITHOUT WRITTEN PERMISSION |