

Excellent Integrated System Limited

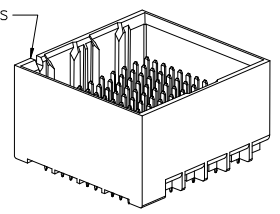
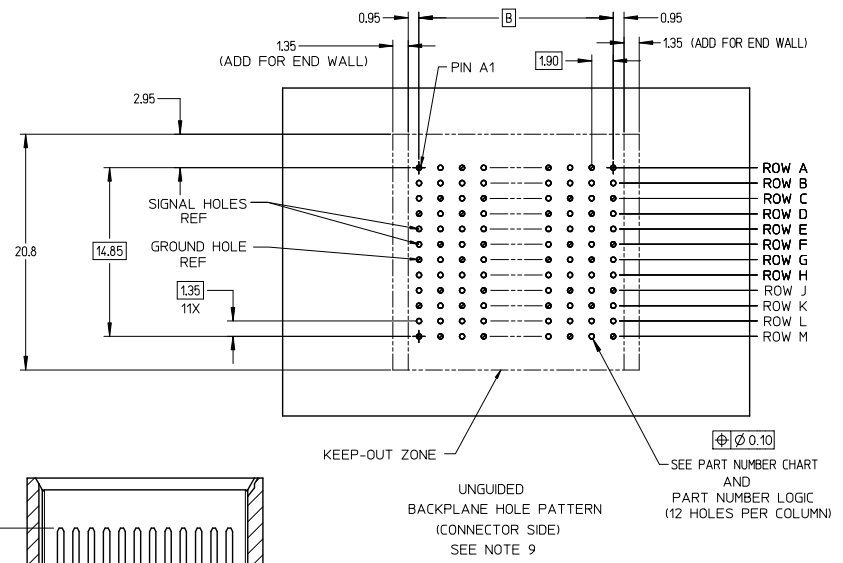
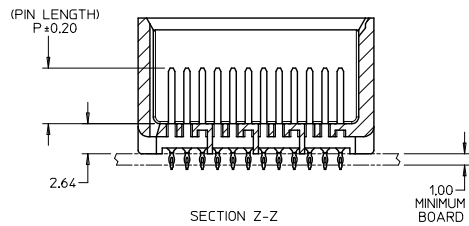
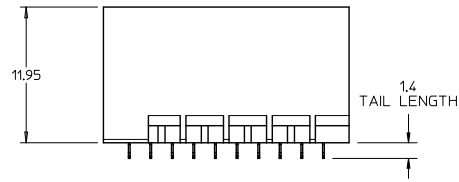
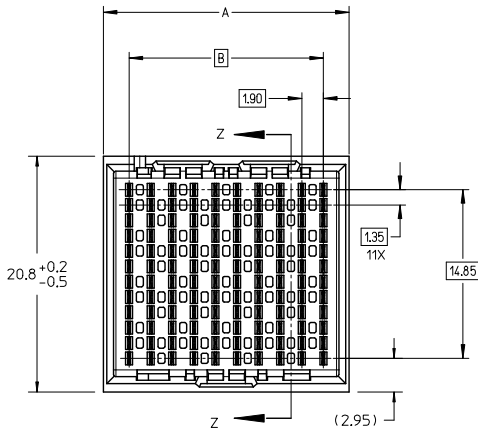
Stocking Distributor

Click to view price, real time Inventory, Delivery & Lifecycle Information:

[Molex Connector Corporation](#)
[0761550133](#)

For any questions, you can email us directly:

sales@integrated-circuit.com

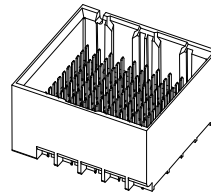


- NOTES:
1. MATERIALS: HOUSING - LIQUID CRYSTAL POLYMER (LCP)
GLASS-FILLED, UL94V-0
TERMINALS - HIGH PERFORMANCE COPPER ALLOY
 2. FINISH: 30µ MIN GOLD IN CONTACT AREA.
SELECTIVE TIN ON PCB TAILS.
NICKEL OVERALL.
 3. REFER TO MOLEX PRODUCT SPECIFICATION PS-76060-999
FOR PERFORMANCE SPECIFICATIONS AND ADDITIONAL PCB INFORMATION.
 4. THIS PART CONFORMS TO CLASS B REQUIREMENTS OF MOLEX
COSMETIC SPEC PS-45499-002.
 5. PARTS PACKAGED PER PK-70873-7701.
 6. SEE SHEETS 2 & 3 FOR PART NUMBERS AND BOARD RELATIONSHIPS.
 7. MATES WITH IMPACT DC SERIES NO. 76160.
 8. REFER TO MOLEX PCB ROUTING GUIDE AS-76060-990 FOR ANTI PAD AND
ROUTING RECOMMENDATIONS.
 9. *THESE DIMENSIONS REPRESENT THE AREA NEEDED TO ACCOMMODATE CONNECTOR
INSERTION AND REPAIR ON THE PC BOARD. THIS IS REFERRED TO AS THE
'CONNECTOR KEEP OUT ZONE' AND DOES NOT REPRESENT THE ACTUAL PERIMETER
OF THE CONNECTOR. WHEN LAYING OUT A PC BOARD FOR CONNECTORS STACKED
TOGETHER, USE A 1.9mm PROGRESSION.*

CONVERT TO LEAD-FREE EC NO: UCP2015-2078 DRAWN BY: BARBARA 2012/11/28 CHKD: JB INGRAM 2012/12/18 APPR: SILLER 2012/12/21	QUALITY SYMBOLS ∇=0 ∇=0 ∇=0	GENERAL TOLERANCES (UNLESS SPECIFIED)		DIMENSION STYLE MM ONLY		SCALE 4:1	DESIGN UNITS METRIC	THIRD ANGLE PROJECTION			
		4 PLACES ± --- ± ---	3 PLACES ± --- ± ---	2 PLACES ± 0.13 ± ---	1 PLACE ± 0.25 ± ---	0 PLACE ± ±	DRAWN BY MSANDBERG	DATE 2007/19/07	TITLE IMPACT 4 PAIR HEADER UNGUIDED ASSEMBLY SALES DRAWING		
		ANGULAR ± 1/2°		DRAFT WHERE APPLICABLE MUST REMAIN WITHIN DIMENSIONS		SEE TABLE	MATERIAL NO. JLAURX	DATE 2010/11/15	DOCUMENT NO. SD-76155-001	SHEET NO. 1 OF 3	
		THIS DRAWING CONTAINS INFORMATION THAT IS PROPRIETARY TO MOLEX INCORPORATED AND SHOULD NOT BE USED WITHOUT WRITTEN PERMISSION									

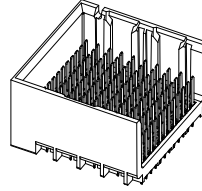
PART NUMBER TABLE

MATERIAL NUMBER	# OF COLUMNS	# OF DIFF PAIR	DIM 'A'	DIM 'B'	DUAL END WALL OPTION
76155-*32*	6	24	14.1	9.50	
76155-*82*	8	32	17.9	13.30	
76155-*12*	10	40	21.7	17.10	
76155-*62*	16	64	33.1	28.50	



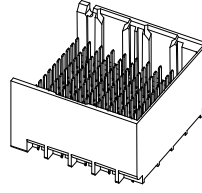
DUAL END WALL OPTION

MATERIAL NUMBER	# OF COLUMNS	# OF DIFF PAIR	DIM 'A'	DIM 'B'	LEFT END WALL OPTION
76155-*31*	6	24	12.7	9.50	
76155-*81*	8	32	16.5	13.30	
76155-*11*	10	40	20.3	17.10	
76155-*61*	16	64	31.7	28.50	



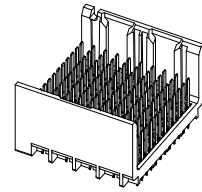
LEFT END WALL OPTION

MATERIAL NUMBER	# OF COLUMNS	# OF DIFF PAIR	DIM 'A'	DIM 'B'	RIGHT END WALL OPTION
76155-*33*	6	24	12.7	9.50	
76155-*83*	8	32	16.5	13.30	
76155-*13*	10	40	20.3	17.10	
76155-*63*	16	64	31.7	28.50	



RIGHT END WALL OPTION

MATERIAL NUMBER	# OF COLUMNS	# OF DIFF PAIR	DIM 'A'	DIM 'B'	OPEN WALL OPTION
76155-*30*	6	24	11.3	9.50	
76155-*80*	8	32	15.1	13.30	
76155-*10*	10	40	18.9	17.10	
76155-*60*	16	64	30.4	28.50	



OPEN WALL OPTION

PART NUMBER LOGIC

76155-****

MODULE TYPE
1 = UNGUIDED, TIN

OF COLUMNS
1 = 10 COL
3 = 6 COL
6 = 16 COL
8 = 8 COL

PIN LENGTH (P)
3 = 4.50 (SHORT COMPLIANT, 0.46±0.05 PTH)
4 = 4.90 (SHORT COMPLIANT, 0.46±0.05 PTH)
5 = 5.50 (SHORT COMPLIANT, 0.46±0.05 PTH)
6 = 4.50 (MICRO COMPLIANT, 0.39±0.05 PTH)
7 = 4.90 (MICRO COMPLIANT, 0.39±0.05 PTH)
8 = 5.50 (MICRO COMPLIANT, 0.39±0.05 PTH)

END WALL OPTIONS
0 = OPEN ENDS
1 = LEFT END WALL
2 = DUAL END WALL
3 = RIGHT END WALL

REV	DESCRIPTION	QUALITY SYMBOLS
1	SEE SHEET 1	∇=0
2	EC NO: UCP2015-2078 2012/11/28	∇=0
3	DRWNT: IBARRA 2012/12/18	∇=0
4	CHKD: B. INGHAM 2012/12/18	
5	APPR: S. ILLER 2012/12/18	

GENERAL TOLERANCES (UNLESS SPECIFIED)		DIMENSION STYLE	
	mm	mm ONLY	DATE
4 PLACES	±---	MM ONLY	2007/19/07
3 PLACES	±---		
2 PLACES	±0.13		
1 PLACE	±0.25		
0 PLACE	±		

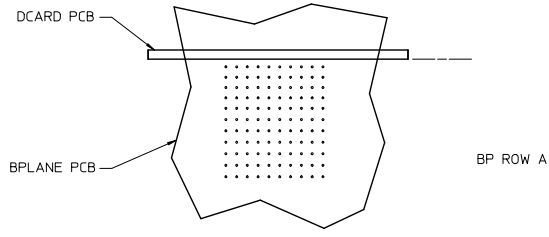
DRAWN BY	DATE	CHECKED BY	DATE	APPROVED BY	DATE
MSANDBERG	2007/19/07	JLAURX	2007/19/07	JLAURX	2010/11/15

SCALE	DESIGN UNITS	THIRD ANGLE PROJECTION	TITLE
2.5:1	METRIC		IMPACT 4 PAIR HEADER UNGUIDED ASSEMBLY SALES DRAWING

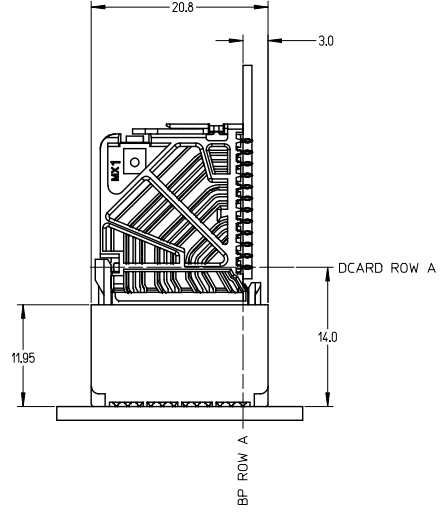
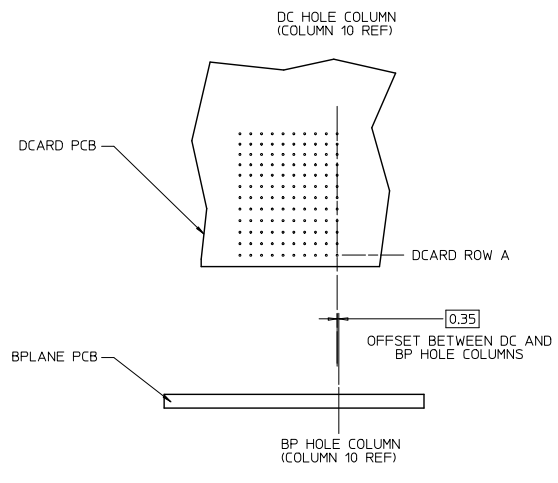


ANGULAR ±1/2°
DRAFT WHERE APPLICABLE MUST REMAIN WITHIN DIMENSIONS
MATERIAL NO. SEE TABLE
DOCUMENT NO. SD-76155-001
SHEET NO. 2 OF 3

J
I
H
G
F
E
D
C
B
A



IMPACT 4 PAIR
BOARD RELATIONSHIPS



SEE SHEET 1 EC NO: UCP2015-2078 DRAWN BY: DRWNET IBARRA 2012/11/26 CHKD: JB INGHAM 2012/12/18 APPR: SMILLER 2012/12/31	QUALITY SYMBOLS ∇=0 ∇=0 ∇=0	GENERAL TOLERANCES (UNLESS SPECIFIED)		DIMENSION STYLE MM ONLY		SCALE 3:1	DESIGN UNITS METRIC	THIRD ANGLE PROJECTION	
			mm	INCH	DRAWN BY MSANDBERG	DATE 2007/19/07	TITLE IMPACT 4 PAIR HEADER UNGUIDED ASSEMBLY SALES DRAWING molex DOCUMENT NO. SD-76155-001 SHEET NO. 3 OF 3		
		4 PLACES	±---	±---	CHECKED BY JLAURX	DATE 2007/19/07			
		3 PLACES	±---	±---	APPROVED BY JLAURX	DATE 2010/11/15			
2 PLACES	±0.13	±---							
		1 PLACE	±0.25	±---					
		0 PLACE	±	±					
		ANGULAR ±1/2°		SEE TABLE					
		DRAFT WHERE APPLICABLE MUST REMAIN WITHIN DIMENSIONS		SIZE C		THIS DRAWING CONTAINS INFORMATION THAT IS PROPRIETARY TO MOLEX INCORPORATED AND SHOULD NOT BE USED WITHOUT WRITTEN PERMISSION			