

Excellent Integrated System Limited

Stocking Distributor

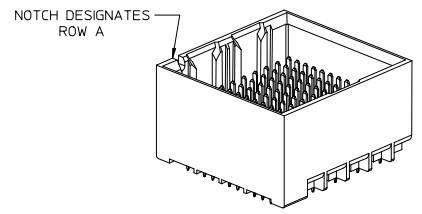
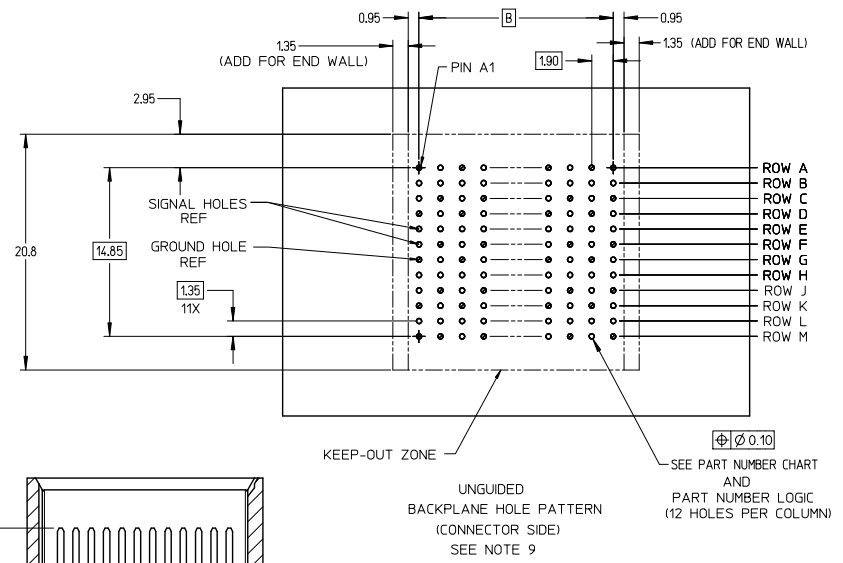
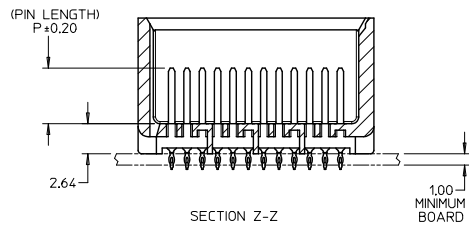
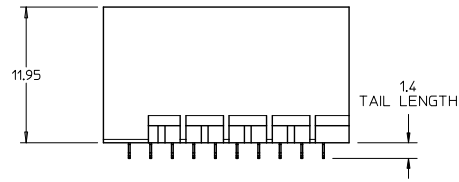
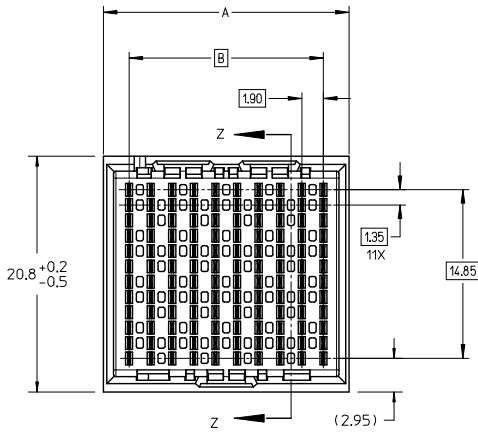
Click to view price, real time Inventory, Delivery & Lifecycle Information:

[Molex Connector Corporation](#)

[0761550814](#)

For any questions, you can email us directly:

sales@integrated-circuit.com

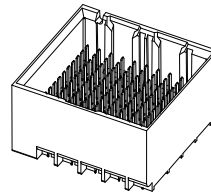


- NOTES:
1. MATERIALS: HOUSING - LIQUID CRYSTAL POLYMER (LCP)
GLASS-FILLED, UL94V-0
TERMINALS - HIGH PERFORMANCE COPPER ALLOY
 2. FINISH: 30µ MIN GOLD IN CONTACT AREA.
SELECTIVE TIN ON PCB TAILS.
NICKEL OVERALL.
 3. REFER TO MOLEX PRODUCT SPECIFICATION PS-76060-999
FOR PERFORMANCE SPECIFICATIONS AND ADDITIONAL PCB INFORMATION.
 4. THIS PART CONFORMS TO CLASS B REQUIREMENTS OF MOLEX
COSMETIC SPEC PS-45499-002.
 5. PARTS PACKAGED PER PK-70873-7701.
 6. SEE SHEETS 2 & 3 FOR PART NUMBERS AND BOARD RELATIONSHIPS.
 7. MATES WITH IMPACT DC SERIES NO. 76160.
 8. REFER TO MOLEX PCB ROUTING GUIDE AS-76060-990 FOR ANTI PAD AND
ROUTING RECOMMENDATIONS.
 9. *THESE DIMENSIONS REPRESENT THE AREA NEEDED TO ACCOMMODATE CONNECTOR
INSERTION AND REPAIR ON THE PC BOARD. THIS IS REFERRED TO AS THE
'CONNECTOR KEEP OUT ZONE' AND DOES NOT REPRESENT THE ACTUAL PERIMETER
OF THE CONNECTOR. WHEN LAYING OUT A PC BOARD FOR CONNECTORS STACKED
TOGETHER, USE A 1.9mm PROGRESSION.*

| | | | | | | | | | | |
|---|---------------------|---------------------------------------|--|-----------------|--|--|--------------|--|--|--|
| CONVERT TO LEAD-FREE EC NO: UCP2015-2078 DRAWN BY: BARBA 2012/11/28 CHKD: JH INHAW 2012/12/18 APPR: MILLER 2012/12/21 | QUALITY SYMBOLS | GENERAL TOLERANCES (UNLESS SPECIFIED) | | DIMENSION STYLE | | SCALE | DESIGN UNITS | THIRD ANGLE PROJECTION | | |
| | | | | MM ONLY | | 4:1 | METRIC | | | |
| | | | | | | DRAWN BY | DATE | TITLE | | |
| | | | | | | CHECKED BY | DATE | IMPACT 4 PAIR HEADER UNGUIDED ASSEMBLY SALES DRAWING | | |
| | | | | | | APPROVED BY | DATE | molex | | |
| | | | | | | MATERIAL NO. | DOCUMENT NO. | SHEET NO. | | |
| | | | | | | SEE TABLE | | SD-76155-001 | | |
| | | | | | | THIS DRAWING CONTAINS INFORMATION THAT IS PROPRIETARY TO MOLEX INCORPORATED AND SHOULD NOT BE USED WITHOUT WRITTEN PERMISSION | | | | |

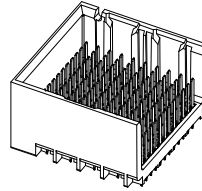
PART NUMBER TABLE

| MATERIAL NUMBER | # OF COLUMNS | # OF DIFF PAIR | DIM 'A' | DIM 'B' | DUAL END WALL OPTION |
|-----------------|--------------|----------------|---------|---------|----------------------------|
| 76155-*32* | 6 | 24 | 14.1 | 9.50 | |
| 76155-*82* | 8 | 32 | 17.9 | 13.30 | |
| 76155-*12* | 10 | 40 | 21.7 | 17.10 | |
| 76155-*62* | 16 | 64 | 33.1 | 28.50 | |



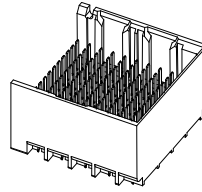
DUAL END WALL OPTION

| MATERIAL NUMBER | # OF COLUMNS | # OF DIFF PAIR | DIM 'A' | DIM 'B' | LEFT END WALL OPTION |
|-----------------|--------------|----------------|---------|---------|----------------------------|
| 76155-*31* | 6 | 24 | 12.7 | 9.50 | |
| 76155-*81* | 8 | 32 | 16.5 | 13.30 | |
| 76155-*11* | 10 | 40 | 20.3 | 17.10 | |
| 76155-*61* | 16 | 64 | 31.7 | 28.50 | |



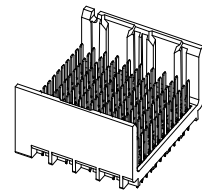
LEFT END WALL OPTION

| MATERIAL NUMBER | # OF COLUMNS | # OF DIFF PAIR | DIM 'A' | DIM 'B' | RIGHT END WALL OPTION |
|-----------------|--------------|----------------|---------|---------|-----------------------------|
| 76155-*33* | 6 | 24 | 12.7 | 9.50 | |
| 76155-*83* | 8 | 32 | 16.5 | 13.30 | |
| 76155-*13* | 10 | 40 | 20.3 | 17.10 | |
| 76155-*63* | 16 | 64 | 31.7 | 28.50 | |



RIGHT END WALL OPTION

| MATERIAL NUMBER | # OF COLUMNS | # OF DIFF PAIR | DIM 'A' | DIM 'B' | OPEN WALL OPTION |
|-----------------|--------------|----------------|---------|---------|------------------------|
| 76155-*30* | 6 | 24 | 11.3 | 9.50 | |
| 76155-*80* | 8 | 32 | 15.1 | 13.30 | |
| 76155-*10* | 10 | 40 | 18.9 | 17.10 | |
| 76155-*60* | 16 | 64 | 30.4 | 28.50 | |



OPEN WALL OPTION

PART NUMBER LOGIC

76155-****

MODULE TYPE
1 = UNGUIDED, TIN

OF COLUMNS
1 = 10 COL
3 = 6 COL
6 = 16 COL
8 = 8 COL

PIN LENGTH (P)
3 = 4.50 (SHORT COMPLIANT, 0.46±0.05 PTH)
4 = 4.90 (SHORT COMPLIANT, 0.46±0.05 PTH)
5 = 5.50 (SHORT COMPLIANT, 0.46±0.05 PTH)
6 = 4.50 (MICRO COMPLIANT, 0.39±0.05 PTH)
7 = 4.90 (MICRO COMPLIANT, 0.39±0.05 PTH)
8 = 5.50 (MICRO COMPLIANT, 0.39±0.05 PTH)

END WALL OPTIONS
0 = OPEN ENDS
1 = LEFT END WALL
2 = DUAL END WALL
3 = RIGHT END WALL

| REV | DESCRIPTION |
|-----|--------------------------------|
| 1 | SEE SHEET 1 |
| 2 | EC NO: UCP2015-2078 2012/11/28 |
| 3 | DRWNT: IBARRA 2012/12/18 |
| 4 | CHKD: B. INGHAM 2012/12/18 |
| 5 | APPR: S. ILLER 2012/12/18 |

| QUALITY SYMBOLS | GENERAL TOLERANCES (UNLESS SPECIFIED) | DIMENSION STYLE | SCALE | DESIGN UNITS | THIRD ANGLE PROJECTION |
|-----------------|--|------------------|-------|--------------|------------------------|
| ▽=0 | 4 PLACES ± --- ± --- | MM ONLY | 2.5:1 | METRIC | THIRD ANGLE PROJECTION |
| ▽=0 | 3 PLACES ± --- ± --- | DRAWN BY DATE | | | |
| ▽=0 | 2 PLACES ± 0.13 ± --- | CHECKED BY DATE | | | |
| ▽=0 | 1 PLACE ± 0.25 ± --- | APPROVED BY DATE | | | |
| ▽=0 | 0 PLACE ± ± | MATERIAL NO. | | | |
| | ANGULAR ± 1/2° | DOCUMENT NO. | | | |
| | DRAFT WHERE APPLICABLE MUST REMAIN WITHIN DIMENSIONS | SEE TABLE | | | |
| | | SIZE C | | | |

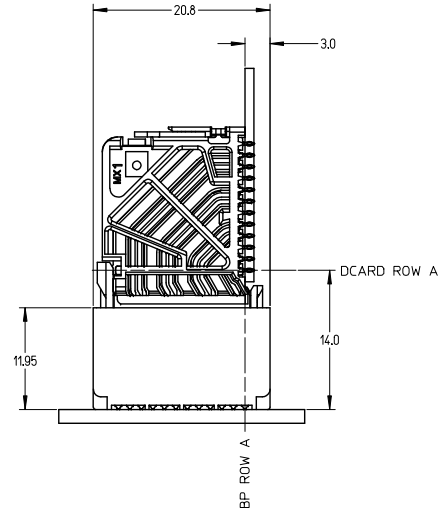
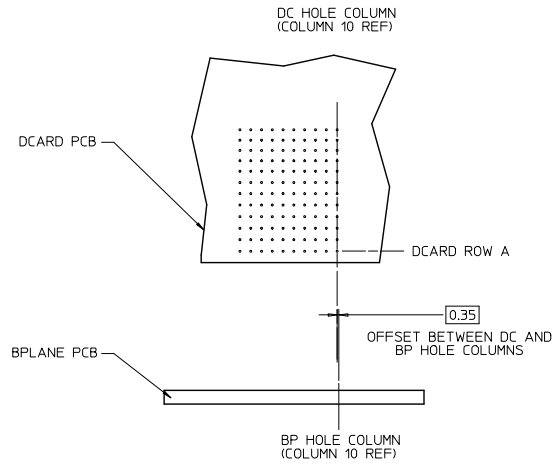
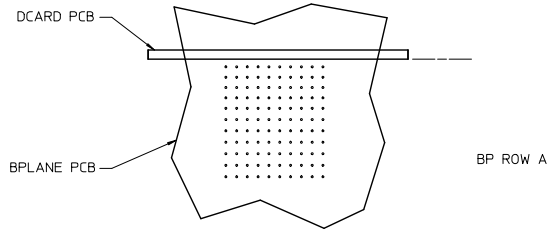
IMPACT 4 PAIR HEADER
UNGUIDED ASSEMBLY
SALES DRAWING

molex

SD-76155-001

SHEET NO. 2 OF 3

IMPACT 4 PAIR
BOARD RELATIONSHIPS



| | | | | | | | | |
|--|--------------------------------------|--|--|----------------------------|--------------------|---|------------------------------|------------------------|
| SEE SHEET 1 EC NO: UCP2015-2078 DRAWN BY: DRWNET IBARRA 2012/11/26 CHKD: JB INGHAM 2012/12/18 APPR: SMILLER 2012/12/31 | QUALITY SYMBOLS ∇=0 ∇=0 ∇=0 | GENERAL TOLERANCES (UNLESS SPECIFIED) | | DIMENSION STYLE MM ONLY | | SCALE 3:1 | DESIGN UNITS METRIC | THIRD ANGLE PROJECTION |
| | | 4 PLACES ± --- ± --- 3 PLACES ± --- ± --- 2 PLACES ± 0.13 ± --- 1 PLACE ± 0.25 ± --- 0 PLACE ± ± | mm INCH --- --- --- --- --- --- --- --- --- --- | DRAWN BY MSANDBERG | DATE 2007/19/07 | TITLE IMPACT 4 PAIR HEADER UNGUIDED ASSEMBLY SALES DRAWING | | molex |
| H REV | DESCRIPTION | ANGULAR ±1/2° DRAFT WHERE APPLICABLE MUST REMAIN WITHIN DIMENSIONS | | SEE TABLE | | MATERIAL NO. | DOCUMENT NO. SD-76155-001 | SHEET NO. 3 OF 3 |