

Excellent Integrated System Limited

Stocking Distributor

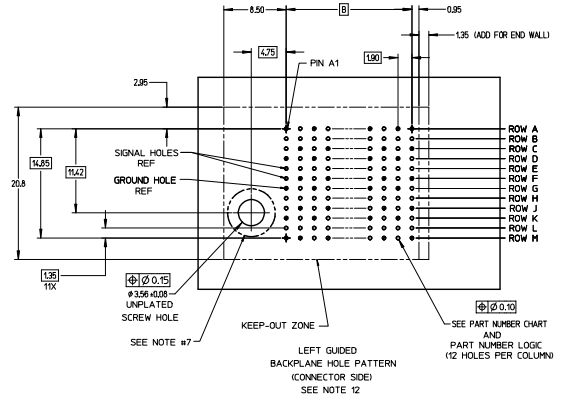
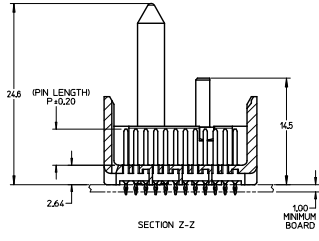
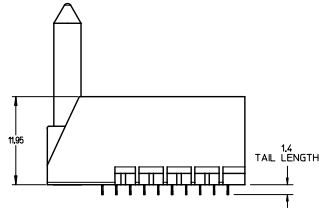
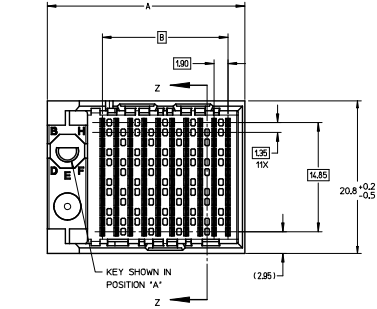
Click to view price, real time Inventory, Delivery & Lifecycle Information:

[Molex Connector Corporation](#)

[0761552604](#)

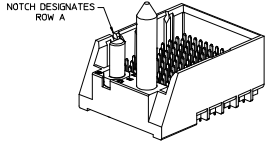
For any questions, you can email us directly:

sales@integrated-circuit.com



- NOTES:
1. MATERIALS: HOUSING - LIQUID CRYSTAL POLYMER (LCP) GLASS-FILLED, UL94V-0
TERMINALS - HIGH PERFORMANCE COPPER ALLOY
Pd-Ni IN CONTACT AREA. SELECTIVE TIN ON PCB TAILS. NICKEL OVERALL.
 2. FINISH 5 MICRONCH MINIMUM GOLD FLASH OVER 20 MICRONCH MINIMUM Pd-Ni IN CONTACT AREA. SELECTIVE TIN ON PCB TAILS. NICKEL OVERALL.
 3. REFER TO MOLEX PRODUCT SPECIFICATION PS-76060-999 FOR PERFORMANCE SPECIFICATIONS AND ADDITIONAL PCB INFORMATION.
 4. THIS PART CONFORMS TO CLASS B REQUIREMENTS OF MOLEX COSMETIC SPEC PS-45499-002.
 5. PACKAGE PER PK-70873-757.
 6. SEE SHEETS 2 & 3 FOR PART NUMBERS AND BOARD RELATIONSHIPS.
 7. FOR GROUNDED GUIDE PINS USE DIA. 3.56 +/-0.08 (PTH) DIA. 3.66 (DRILL) AND DIA. 6.5 (PAD).
 8. MATES WITH IMPACT DC SERIES NO. 76160.
 9. KEEP OUT ZONE FOR BP HOUSING LENGTH INCLUDES AN ADDITIONAL 1.0MM TO ACCOMMODATE FOR SPACE REQUIRED BY DC FRONT HOUSING.
 10. REFER TO MOLEX PCB ROUTING GUIDE AS-76060-990 FOR ANTI PAD AND ROUTING RECOMMENDATIONS.
 11. CONNECTORS SUPPLIED WITH A 2-56 UNC-2A SCREW.
 12. *THESE DIMENSIONS REPRESENT THE AREA NEEDED TO ACCOMMODATE CONNECTOR INSERTION AND REPAIR ON THE PC BOARD, THIS IS REFERRED TO AS THE "CONNECTOR KEEP OUT ZONE" AND DOES NOT REPRESENT THE ACTUAL PERIMETER OF THE CONNECTOR, WHEN LAYING OUT THE PC BOARD FOR CONNECTORS STACKED TOGETHER, USE A 1.9mm PROGRESSION.*

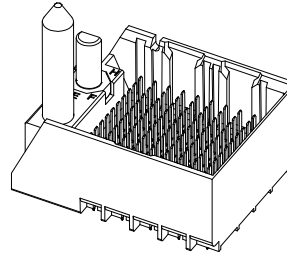
Pd-Ni
PLATING



INITIAL RELEASE ECS INC (EPT/04-2332) DRN/SVANG01 2015/12/08 CHK/OMALLEY 2015/12/08 APPROX/SMILLER 2015/12/17 REV	QUALITY SYMBOLS	GENERAL TOLERANCES (UNLESS SPECIFIED):	DIMENSION STYLE	SCALE	DESIGN UNITS	THIRD ANGLE PROJECTION
	$\nabla=0$ 4 PLACES ±--- ±--- $\nabla=0$ 3 PLACES ±--- ±--- $\nabla=0$ 2 PLACES ±0.13 ±--- $\nabla=0$ 1 PLACE ±0.25 ±--- $\nabla=0$ 0 PLACE ± ±---	mm INCH	MM ONLY	4:1	METRIC	THIRD ANGLE PROJECTION
		ANGULAR ±1/2°	DRAWN BY	DATE	TITLE	
		DRAFT WHERE APPLICABLE MUST REMAIN WITHIN DIMENSIONS	SVANG01	2015/12/08	IMPACT 4 PAIR HEADER LEFT GUIDED PDNI ASSEMBLY SALES DRAWING	
			CHECKED BY	DATE		
			MWOLFE	2015/12/08		
			APPROVED BY	DATE		
			SMILLER	2015/12/17		
			MATERIAL NO.	DOCUMENT NO.		
			SEE TABLE	RSD-173428-002		
			THIS DRAWING CONTAINS INFORMATION THAT IS PROPRIETARY TO MOLEX INCORPORATED AND SHOULD NOT BE USED WITHOUT WRITTEN PERMISSION			
						SHEET NO. 1 OF 3

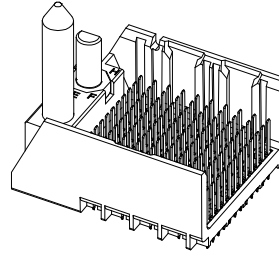
PART NUMBER TABLE

MATERIAL NUMBER	# OF COLUMNS	# OF DIFF PAIR	DIM 'A'	DIM 'B'	GUIDE LEFT END WALL OPTION
173428- *3**	6	24	19.3	9.50	
173428- *8**	8	32	23.1	13.30	
173428- *1**	10	40	26.9	17.10	
173428- *6**	16	64	38.3	28.50	



GUIDE LEFT
END WALL
OPTION

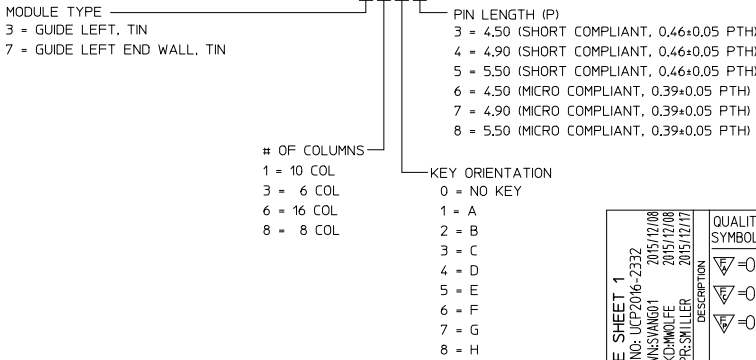
MATERIAL NUMBER	# OF COLUMNS	# OF DIFF PAIR	DIM 'A'	DIM 'B'	GUIDE LEFT OPEN WALL OPTION
173428- *3**	6	24	17.9	9.50	
173428- *8**	8	32	21.7	13.30	
173428- *1**	10	40	25.5	17.10	
173428- *6**	16	64	36.9	28.50	



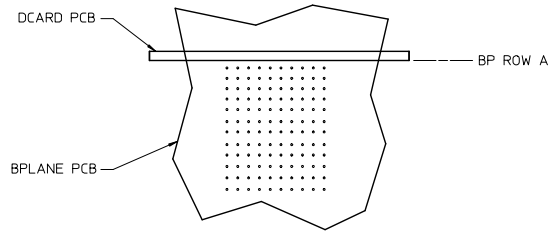
GUIDE LEFT
OPEN WALL
OPTION

PART NUMBER LOGIC

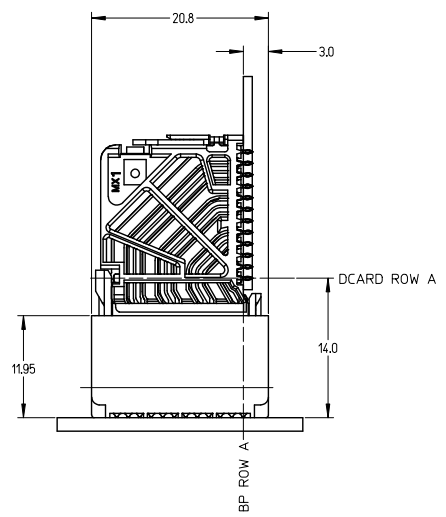
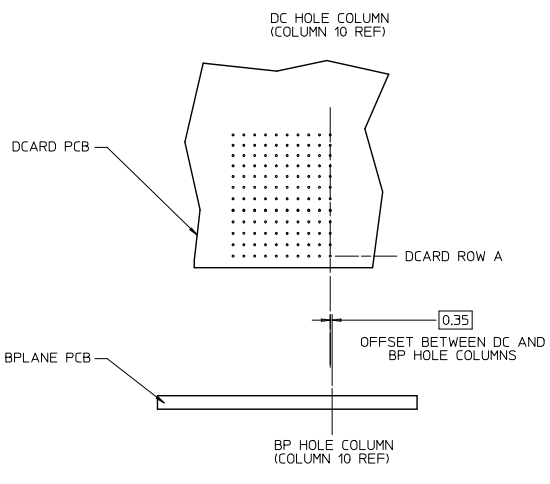
173428-****



SEE SHEET 1 EC NO: UCP2016-2332 DRWNSWANG01 2015/12/08 CHKDRWOLFE 2015/12/08 APPRSMILLER 2015/12/17 DESCRIPTION REV A	QUALITY SYMBOLS ∇=0 ∇=0 ∇=0	GENERAL TOLERANCES (UNLESS SPECIFIED)		DIMENSION STYLE MM ONLY		SCALE 3:1	DESIGN UNITS METRIC	THIRD ANGLE PROJECTION		
		4 PLACES ± --- ± ---	3 PLACES ± --- ± ---	2 PLACES ± 0.13 ± ---	1 PLACE ± 0.25 ± ---	0 PLACE ± ±	DRAWN BY SVANG01 DATE 2015/12/08 CHECKED BY MWOLFE DATE 2015/12/08 APPROVED BY SMILLER DATE 2015/12/17			
		ANGULAR ±1/2°		MATERIAL NO.		DOCUMENT NO.		TITLE IMPACT 4 PAIR HEADER LEFT GUIDED PDNI ASSEMBLY SALES DRAWING		
		DRAFT WHERE APPLICABLE MUST REMAIN WITHIN DIMENSIONS		SEE TABLE		RSD-173428-002		SHEET NO. 2 OF 3		



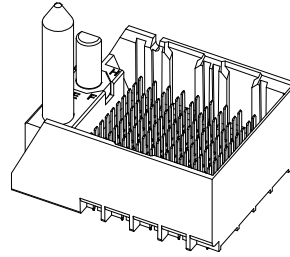
IMPACT 4 PAIR
BOARD RELATIONSHIPS



SEE SHEET 1 EC NO: UCP2016-2332 DRWNGVANG01 CHKRMOLFE APPRSMILLER	2015/12/08 2015/12/08 2015/12/17	QUALITY SYMBOLS ∇=0 ∇=0 ∇=0	GENERAL TOLERANCES (UNLESS SPECIFIED)		DIMENSION STYLE		SCALE	DESIGN UNITS	THIRD ANGLE PROJECTION	
					MM ONLY		2:1	METRIC	☉	
					DRAWN BY DATE		TITLE IMPACT 4 PAIR HEADER LEFT GUIDED PDNI ASSEMBLY SALES DRAWING molex			
					CHECKED BY DATE					
		APPROVED BY DATE		MATERIAL NO.		DOCUMENT NO.		SHEET NO.		
		SMILLER 2015/12/17		SEE TABLE		RSD-173428-002		3 OF 3		
		ANGULAR ±1/2°		THIS DRAWING CONTAINS INFORMATION THAT IS PROPRIETARY TO MOLEX INCORPORATED AND SHOULD NOT BE USED WITHOUT WRITTEN PERMISSION						
		DRAFT WHERE APPLICABLE MUST REMAIN WITHIN DIMENSIONS								

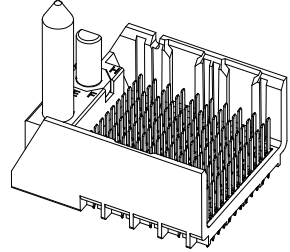
PART NUMBER TABLE

MATERIAL NUMBER	# OF COLUMNS	# OF DIFF PAIR	DIM 'A'	DIM 'B'	GUIDE LEFT END WALL OPTION
76155-3**	6	24	19.3	9.50	
76155-8**	8	32	23.1	13.30	
76155-1**	10	40	26.9	17.10	
76155-6**	16	64	38.3	28.50	



GUIDE LEFT
END WALL
OPTION

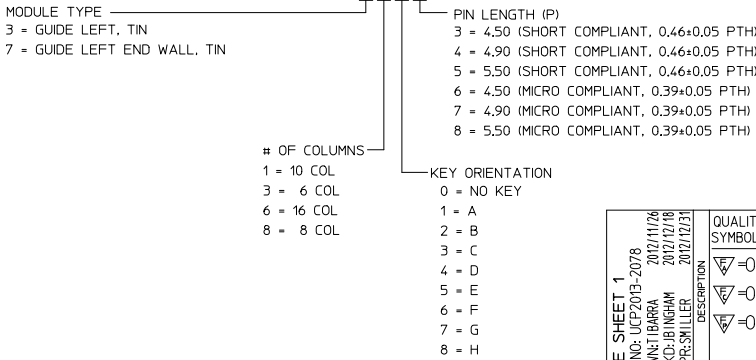
MATERIAL NUMBER	# OF COLUMNS	# OF DIFF PAIR	DIM 'A'	DIM 'B'	GUIDE LEFT OPEN WALL OPTION
76155-3**	6	24	17.9	9.50	
76155-8**	8	32	21.7	13.30	
76155-1**	10	40	25.5	17.10	
76155-6**	16	64	36.9	28.50	



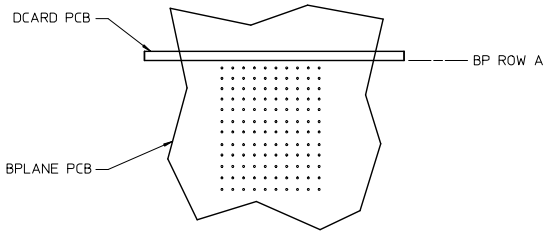
GUIDE LEFT
OPEN WALL
OPTION

PART NUMBER LOGIC

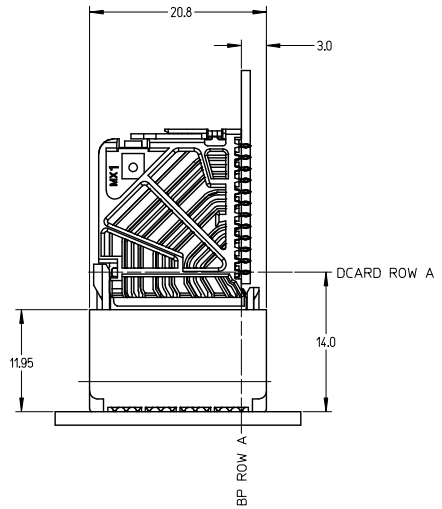
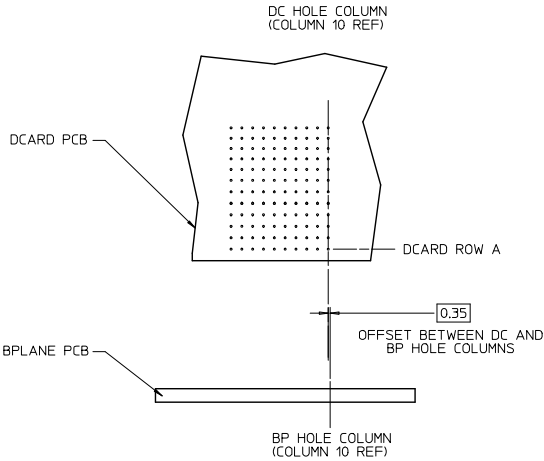
76155-****



SEE SHEET 1 EC NO: UCP2015-2078 DRAWN: TIBARRA 2012/11/28 CHKD: BINGHAM 2012/12/18 APPR: SMILLER 2012/12/31	QUALITY SYMBOLS ∇=0 ∇=0 ∇=0	GENERAL TOLERANCES (UNLESS SPECIFIED)		DIMENSION STYLE MM ONLY		SCALE 3:1	DESIGN UNITS METRIC	THIRD ANGLE PROJECTION	
		4 PLACES ± --- ± ---	3 PLACES ± --- ± ---	DRAWN BY MSANDBERG	DATE 2007/19/07	TITLE IMPACT 4 PAIR HEADER LEFT GUIDED ASSEMBLY SALES DRAWING			
		2 PLACES ± 0.13 ± ---	1 PLACE ± 0.25 ± ---	CHECKED BY JLAURX	DATE 2007/19/07				
		0 PLACE ± ±	ANGULAR ± 1/2°	APPROVED BY JLAURX	DATE 2010/11/15				



IMPACT 4 PAIR
BOARD RELATIONSHIPS



SEE SHEET 1 EC NO: UCP2013-2078 DRAWN: IBARRA 2012/11/28 CHKD: B INGHAM 2012/12/18 APPR: MILLER 2012/12/31	QUALITY SYMBOLS ∇=0 ∇=0 ∇=0	GENERAL TOLERANCES (UNLESS SPECIFIED)		DIMENSION STYLE MM ONLY		SCALE 2:1	DESIGN UNITS METRIC	THIRD ANGLE PROJECTION	
			mm	INCH	DRAWN BY MSANDBERG	DATE 2007/19/07	TITLE IMPACT 4 PAIR HEADER LEFT GUIDED ASSEMBLY SALES DRAWING molex DOCUMENT NO. SD-76155-002 SHEET NO. 3 OF 3		
		4 PLACES ±	---	---	CHECKED BY JLAURX	DATE 2007/19/07			
		3 PLACES ±	---	---	APPROVED BY JLAURX	DATE 2010/11/15			
2 PLACES ±	0.13	---							
1 PLACE ±	0.25	---							
0 PLACE ±									
		ANGULAR ±1/2°		MATERIAL NO.		DOCUMENT NO.		SHEET NO.	
		DRAFT WHERE APPLICABLE MUST REMAIN WITHIN DIMENSIONS		SEE TABLE		SD-76155-002		3 OF 3	
				SIZE C		THIS DRAWING CONTAINS INFORMATION THAT IS PROPRIETARY TO MOLEX INCORPORATED AND SHOULD NOT BE USED WITHOUT WRITTEN PERMISSION			