

Excellent Integrated System Limited

Stocking Distributor

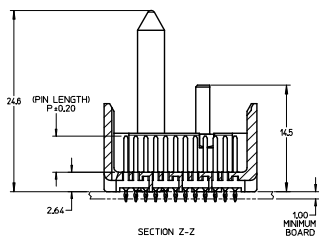
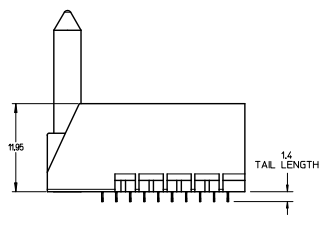
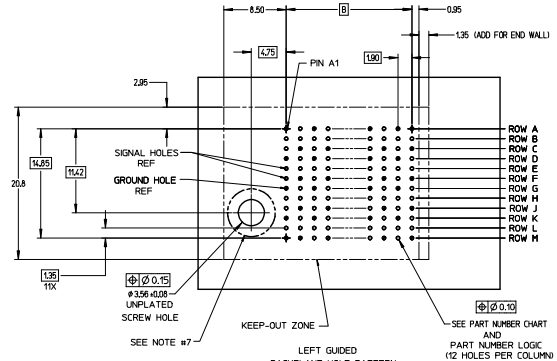
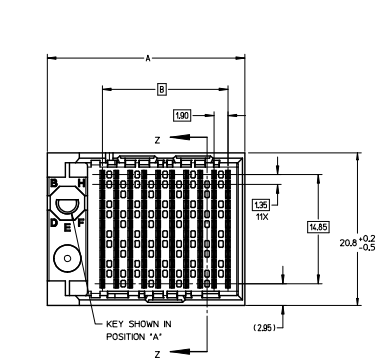
Click to view price, real time Inventory, Delivery & Lifecycle Information:

[Molex Connector Corporation](#)

[0761557105](#)

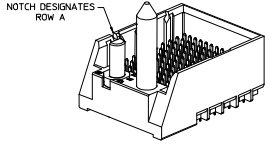
For any questions, you can email us directly:

sales@integrated-circuit.com



- NOTES:
- MATERIALS: HOUSING - LIQUID CRYSTAL POLYMER (LCP) GLASS-FILLED, UL94V-0
TERMINALS - HIGH PERFORMANCE COPPER ALLOY
Pd-Ni IN CONTACT AREA. SELECTIVE TIN ON PCB TAILS. NICKEL OVERALL.
 - FINISH 5 MICRONCH MINIMUM GOLD FLASH OVER 20 MICRONCH MINIMUM Pd-Ni IN CONTACT AREA. SELECTIVE TIN ON PCB TAILS. NICKEL OVERALL.
 - REFER TO MOLEX PRODUCT SPECIFICATION PS-76060-999 FOR PERFORMANCE SPECIFICATIONS AND ADDITIONAL PCB INFORMATION.
 - THIS PART CONFORMS TO CLASS B REQUIREMENTS OF MOLEX COSMETIC SPEC PS-45499-002.
 - PACKAGE PER PK-70873-757.
 - SEE SHEETS 2 & 3 FOR PART NUMBERS AND BOARD RELATIONSHIPS.
 - FOR GROUNDED GUIDE PINS USE DIA. 3.56 +/-0.08 (PTH) DIA. 3.66 (DRILL) AND DIA. 6.5 (PAD).
 - MATES WITH IMPACT DC SERIES NO. 76160.
 - KEEP OUT ZONE FOR BP HOUSING LENGTH INCLUDES AN ADDITIONAL 1.0MM TO ACCOMMODATE FOR SPACE REQUIRED BY DC FRONT HOUSING.
 - REFER TO MOLEX PCB ROUTING GUIDE AS-76060-990 FOR ANTI PAD AND ROUTING RECOMMENDATIONS.
 - CONNECTORS SUPPLIED WITH A 2-56 UNC-2A SCREW.
 - THESE DIMENSIONS REPRESENT THE AREA NEEDED TO ACCOMMODATE CONNECTOR INSERTION AND REPAIR ON THE PC BOARD, THIS IS REFERRED TO AS THE "CONNECTOR KEEP OUT ZONE" AND DOES NOT REPRESENT THE ACTUAL PERIMETER OF THE CONNECTOR, WHEN LAYING OUT THE PC BOARD FOR CONNECTORS STACKED TOGETHER, USE A 1.9mm PROGRESSION.

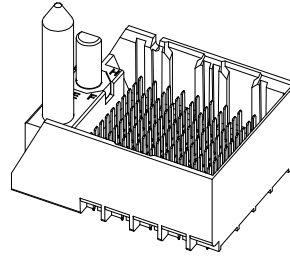
Pd-Ni
PLATING



INITIAL RELEASE EC INC. (EP7/04-2332) DRN/SVANG01 2015/12/08 CHK/OMW/LE 2015/12/08 APPROX/MLL/LE 2015/12/17 REV	QUALITY SYMBOLS	GENERAL TOLERANCES (UNLESS SPECIFIED):	DIMENSION STYLE	SCALE	DESIGN UNITS	THIRD ANGLE PROJECTION
	$\nabla=0$ 4 PLACES ±--- ±--- $\nabla=0$ 3 PLACES ±--- ±--- $\nabla=0$ 2 PLACES ±0.13 ±--- $\nabla=0$ 1 PLACE ±0.25 ±--- $\nabla=0$ 0 PLACE ± ±---	mm INCH	MM ONLY	4:1	METRIC	THIRD ANGLE PROJECTION
			DRAWN BY	DATE	TITLE	
			SVANG01	2015/12/08	IMPACT 4 PAIR HEADER	
			CHECKED BY	DATE	LEFT GUIDED PDNI	
			MWOLFE	2015/12/08	ASSEMBLY SALES DRAWING	
			APPROVED BY	DATE		
			SMILLER	2015/12/17		
			MATERIAL NO.			
			SEE TABLE			
			SIZE			
			THIS DRAWING CONTAINS INFORMATION THAT IS PROPRIETARY TO MOLEX INCORPORATED AND SHOULD NOT BE USED WITHOUT WRITTEN PERMISSION			
			DOCUMENT NO.			
			RSD-173428-002			
						SHEET NO.
						1 OF 3

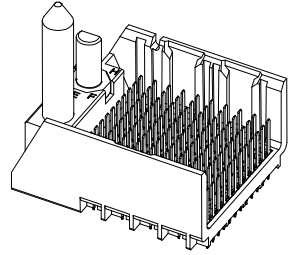
PART NUMBER TABLE

MATERIAL NUMBER	# OF COLUMNS	# OF DIFF PAIR	DIM 'A'	DIM 'B'	GUIDE LEFT END WALL OPTION
173428- *3**	6	24	19.3	9.50	
173428- *8**	8	32	23.1	13.30	
173428- *1**	10	40	26.9	17.10	
173428- *6**	16	64	38.3	28.50	



GUIDE LEFT
END WALL
OPTION

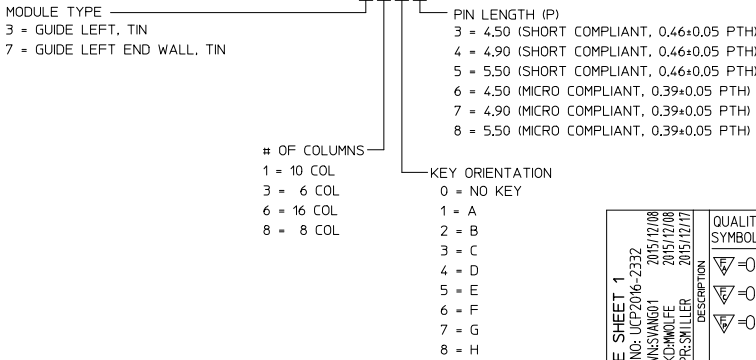
MATERIAL NUMBER	# OF COLUMNS	# OF DIFF PAIR	DIM 'A'	DIM 'B'	GUIDE LEFT OPEN WALL OPTION
173428- *3**	6	24	17.9	9.50	
173428- *8**	8	32	21.7	13.30	
173428- *1**	10	40	25.5	17.10	
173428- *6**	16	64	36.9	28.50	



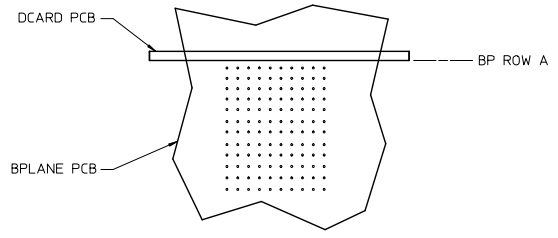
GUIDE LEFT
OPEN WALL
OPTION

PART NUMBER LOGIC

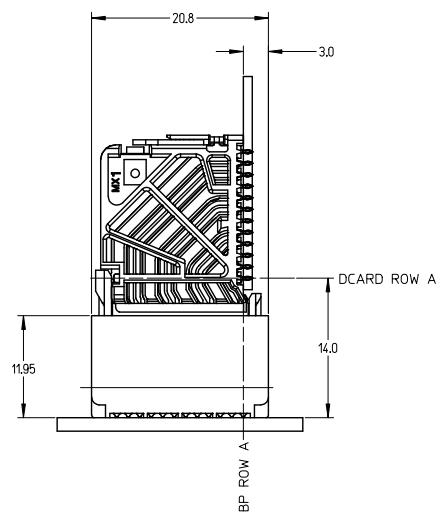
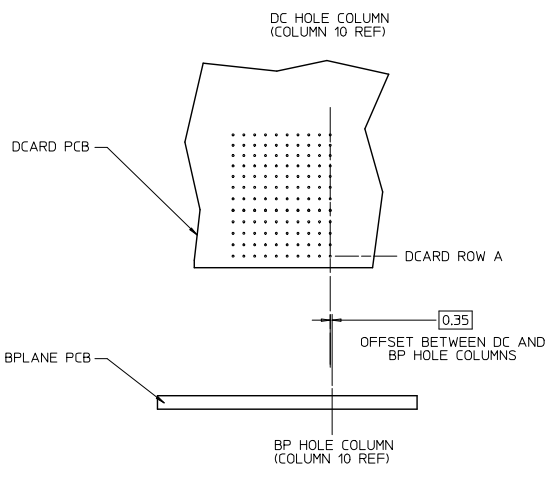
173428-****



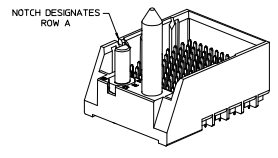
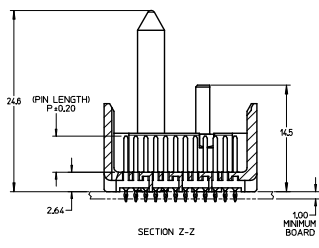
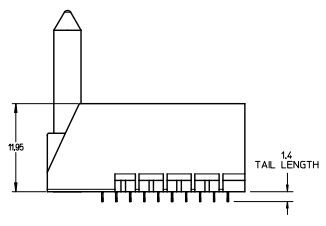
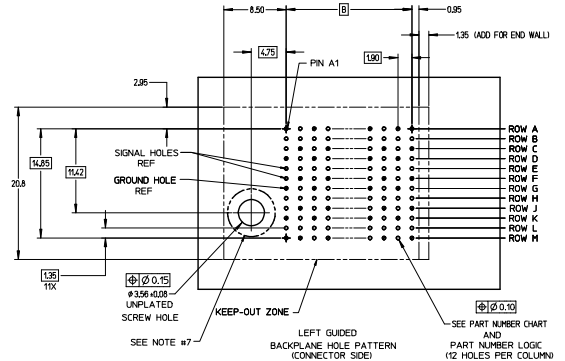
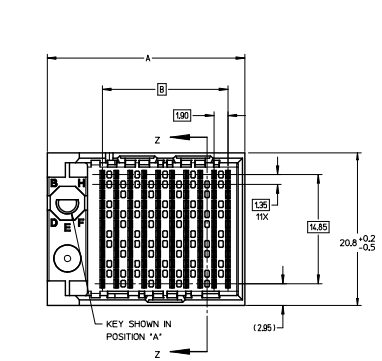
SEE SHEET 1 EC NO: UCP2016-2332 DRWNSWANG01 2015/12/08 CHKDRWOLFE 2015/12/08 APPRSMILLER 2015/12/17 DESCRIPTION REV A	QUALITY SYMBOLS ∇=0 ∇=0 ∇=0	GENERAL TOLERANCES (UNLESS SPECIFIED)		DIMENSION STYLE MM ONLY		SCALE 3:1	DESIGN UNITS METRIC	THIRD ANGLE PROJECTION	
		4 PLACES ± --- ± ---	3 PLACES ± --- ± ---	DRAWN BY SVANG01	DATE 2015/12/08	TITLE IMPACT 4 PAIR HEADER LEFT GUIDED PDNI ASSEMBLY SALES DRAWING			
		2 PLACES ± 0.13 ± ---	1 PLACE ± 0.25 ± ---	CHECKED BY MWOLFE	DATE 2015/12/08				
		ANGULAR ± 1/2°		APPROVED BY SMILLER	DATE 2015/12/17				
DRAFT WHERE APPLICABLE MUST REMAIN WITHIN DIMENSIONS		SEE TABLE		THIS DRAWING CONTAINS INFORMATION THAT IS PROPRIETARY TO MOLEX INCORPORATED AND SHOULD NOT BE USED WITHOUT WRITTEN PERMISSION					



IMPACT 4 PAIR
BOARD RELATIONSHIPS



SEE SHEET 1 EC NO: UCP2016-2332 DRWNG: SVANG01 CHK: KMOLFE APPR: SMILLER	2015/12/08 2015/12/08 2015/12/17	QUALITY SYMBOLS ∇=0 ∇=0 ∇=0	GENERAL TOLERANCES (UNLESS SPECIFIED)		DIMENSION STYLE MM ONLY		SCALE 2:1	DESIGN UNITS METRIC	THIRD ANGLE PROJECTION				
				mm	INCH	DRAWN BY SVANG01	DATE 2015/12/08	TITLE IMPACT 4 PAIR HEADER LEFT GUIDED PDNI ASSEMBLY SALES DRAWING molex MATERIAL NO. RSD-173428-002 DOCUMENT NO. SHEET NO. 3 OF 3					
			4 PLACES	±	---	±	---					CHECKED BY MWOLFE	DATE 2015/12/08
			3 PLACES	±	---	±	---					APPROVED BY SMILLER	DATE 2015/12/17
2 PLACES	±	0.13	±	---	ANGULAR ±1/2°								
1 PLACE	±	0.25	±	---	DRAFT WHERE APPLICABLE MUST REMAIN WITHIN DIMENSIONS		SEE TABLE						
0 PLACE	±	---	±	---			SIZE C						

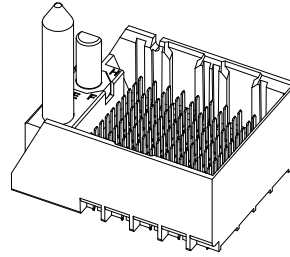


- NOTES:**
- MATERIALS: HOUSING - LIQUID CRYSTAL POLYMER (LCP) GLASS-FILLED, UL94V-0
TERMINALS - HIGH PERFORMANCE COPPER ALLOY
 - FINISH: 30M MN GOLD IN CONTACT AREA,
SELECTIVE TIN ON PCB TAILS,
NICKEL OVERALL.
 - REFER TO MOLEX PRODUCT SPECIFICATION PS-76060-999 FOR PERFORMANCE SPECIFICATIONS AND ADDITIONAL PCB INFORMATION.
 - THIS PART CONFORMS TO CLASS B REQUIREMENTS OF MOLEX COSMETIC SPEC PS-45499-002.
 - PACKAGE PER: PK-70873-757.
 - SEE SHEETS 2 & 3 FOR PART NUMBERS AND BOARD RELATIONSHIPS.
 - FOR GROUNDED GUIDE PINS USE DIA. 3.56 (+/-0.08 IPTH) DIA. 3.66 (DRILL) AND DIA. 6.5 (PAD).
 - MATES WITH IMPACT DC SERIES NO. 76160.
 - KEEP OUT ZONE FOR BP HOUSING LENGTH INCLUDES AN ADDITIONAL 1.0MM TO ACCOMMODATE FOR SPACE REQUIRED BY DC FRONT HOUSING.
 - REFER TO MOLEX PCB ROUTING GUIDE AS-76060-990 FOR ANTI PAD AND ROUTING RECOMMENDATIONS.
 - CONNECTORS SUPPLIED WITH A 2-56 UNC-2A SCREW.
 - THESE DIMENSIONS REPRESENT THE AREA NEEDED TO ACCOMMODATE CONNECTOR INSERTION AND REPAIR ON THE PC BOARD. THIS IS REFERRED TO AS THE 'CONNECTOR KEEP OUT ZONE' AND DOES NOT REPRESENT THE ACTUAL PERIMETER OF THE CONNECTOR. WHEN LAYING OUT THE PC BOARD FOR CONNECTORS STACKED TOGETHER, USE A 1.5mm PROGRESSION.

CONVERT TO LEAD FREE EC NCS 11/27/03-2078 DRAWN BY BARBA 20/12/10 CHECKED INHAR 20/12/10 APPROVED BY JLAUR 20/12/10 (REV)	QUALITY SYMBOLS 4 PLACES ±0.10 3 PLACES ±0.15 2 PLACES ±0.25 1 PLACE ±0.30 0 PLACE ±0.40 ANGULAR ±1/2° DRAFT WHERE APPLICABLE MUST REMAIN WITHIN DIMENSIONS	GENERAL TOLERANCES (UNLESS SPECIFIED): mm INCH ±0.10 ±0.004 ±0.15 ±0.006 ±0.25 ±0.010 ±0.30 ±0.012	DIMENSION STYLE MM ONLY	SCALE 4:1	DESIGN UNITS METRIC	THIRD ANGLE PROJECTION	DRAWN BY MSANDBERG	DATE 2007/11/10	TITLE IMPACT 4 PAIR HEADER LEFT GUIDED ASSEMBLY SALES DRAWING	DOCUMENT NO. SD-76155-002	SHEET NO. 1 OF 3

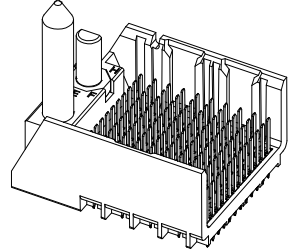
PART NUMBER TABLE

MATERIAL NUMBER	# OF COLUMNS	# OF DIFF PAIR	DIM 'A'	DIM 'B'	GUIDE LEFT END WALL OPTION
76155-*3**	6	24	19.3	9.50	
76155-*8**	8	32	23.1	13.30	
76155-*1**	10	40	26.9	17.10	
76155-*6**	16	64	38.3	28.50	



GUIDE LEFT
END WALL
OPTION

MATERIAL NUMBER	# OF COLUMNS	# OF DIFF PAIR	DIM 'A'	DIM 'B'	GUIDE LEFT OPEN WALL OPTION
76155-*3**	6	24	17.9	9.50	
76155-*8**	8	32	21.7	13.30	
76155-*1**	10	40	25.5	17.10	
76155-*6**	16	64	36.9	28.50	



GUIDE LEFT
OPEN WALL
OPTION

PART NUMBER LOGIC

76155-****

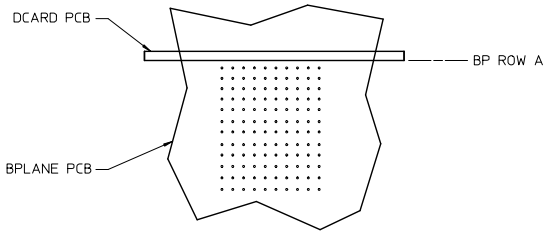
MODULE TYPE
3 = GUIDE LEFT, TIN
7 = GUIDE LEFT END WALL, TIN

OF COLUMNS
1 = 10 COL
3 = 6 COL
6 = 16 COL
8 = 8 COL

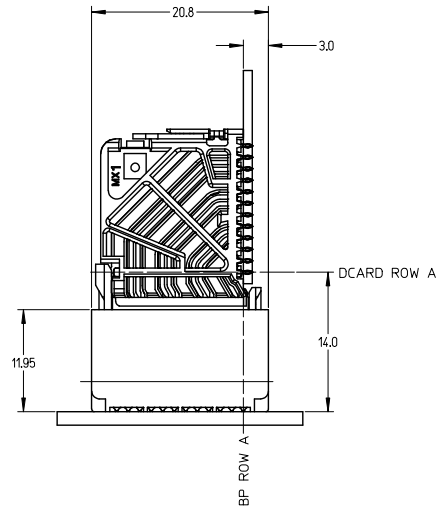
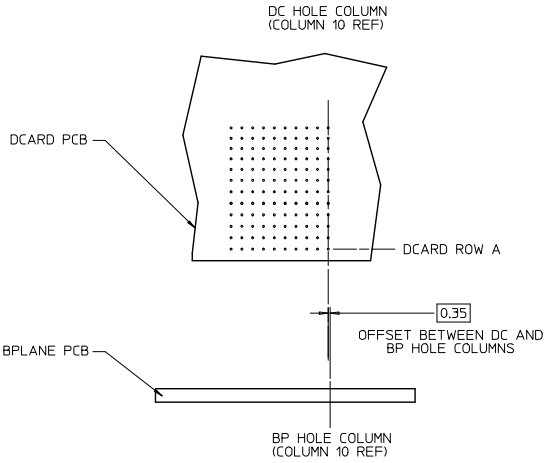
PIN LENGTH (P)
3 = 4.50 (SHORT COMPLIANT, 0.46±0.05 PTH)
4 = 4.90 (SHORT COMPLIANT, 0.46±0.05 PTH)
5 = 5.50 (SHORT COMPLIANT, 0.46±0.05 PTH)
6 = 4.50 (MICRO COMPLIANT, 0.39±0.05 PTH)
7 = 4.90 (MICRO COMPLIANT, 0.39±0.05 PTH)
8 = 5.50 (MICRO COMPLIANT, 0.39±0.05 PTH)

KEY ORIENTATION
0 = NO KEY
1 = A
2 = B
3 = C
4 = D
5 = E
6 = F
7 = G
8 = H

SEE SHEET 1 EC NO: UCP2015-2078 DRAWN: TIBARRA 2012/11/28 CHKD: BINGHAM 2012/12/18 APPR: SMILLER 2012/12/31	QUALITY SYMBOLS 	GENERAL TOLERANCES (UNLESS SPECIFIED)		DIMENSION STYLE MM ONLY		SCALE 3:1	DESIGN UNITS METRIC	THIRD ANGLE PROJECTION	
		4 PLACES ± --- ± ---	3 PLACES ± --- ± ---	DRAWN BY MSANDBERG	DATE 2007/19/07	TITLE IMPACT 4 PAIR HEADER LEFT GUIDED ASSEMBLY SALES DRAWING			
		2 PLACES ± 0.13 ± ---	1 PLACE ± 0.25 ± ---	CHECKED BY JLAURX	DATE 2007/19/07				
		0 PLACE ± ±	ANGULAR ± 1/2°	APPROVED BY JLAURX	DATE 2010/11/15				



IMPACT 4 PAIR
BOARD RELATIONSHIPS



SEE SHEET 1 EC NO: UCP2013-2078 DRAWN: IBARRA 2012/11/28 CHKD: B INGHAM 2012/12/18 APPR: MILLER 2012/12/31	QUALITY SYMBOLS ∇=0 ∇=0 ∇=0	GENERAL TOLERANCES (UNLESS SPECIFIED)		DIMENSION STYLE MM ONLY		SCALE 2:1	DESIGN UNITS METRIC	THIRD ANGLE PROJECTION	
			mm	INCH	DRAWN BY MSANDBERG	DATE 2007/19/07	TITLE IMPACT 4 PAIR HEADER LEFT GUIDED ASSEMBLY SALES DRAWING molex DOCUMENT NO. SD-76155-002 SHEET NO. 3 OF 3		
		4 PLACES ±	---	---	CHECKED BY JLAURX	DATE 2007/19/07			
		3 PLACES ±	---	---	APPROVED BY JLAURX	DATE 2010/11/15			
2 PLACES ±	0.13	---	MATERIAL NO.						
1 PLACE ±	0.25	---	ANGULAR ±1/2°		DOCUMENT NO.				
0 PLACE ±		---	DRAFT WHERE APPLICABLE MUST REMAIN WITHIN DIMENSIONS		SEE TABLE				
THIS DRAWING CONTAINS INFORMATION THAT IS PROPRIETARY TO MOLEX INCORPORATED AND SHOULD NOT BE USED WITHOUT WRITTEN PERMISSION									