

## Excellent Integrated System Limited

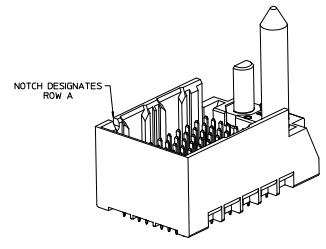
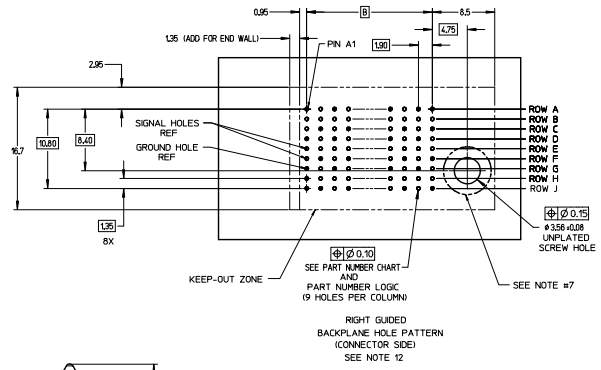
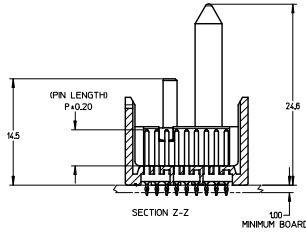
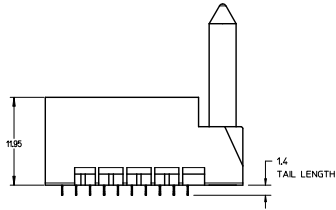
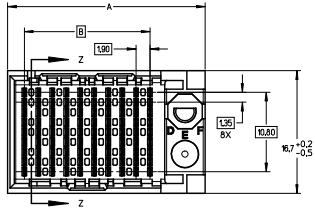
Stocking Distributor

Click to view price, real time Inventory, Delivery & Lifecycle Information:

[Molex Connector Corporation](#)  
[0761654107](#)

For any questions, you can email us directly:

[sales@integrated-circuit.com](mailto:sales@integrated-circuit.com)



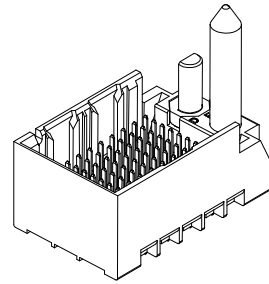
**NOTES:**

1. MATERIALS: HOUSING - LIQUID CRYSTAL POLYMER (LCP)  
GLASS-FILLED, UL94V-0  
TERMINALS - HIGH PERFORMANCE COPPER ALLOY
2. FINISH: 30μ MIN GOLD IN CONTACT AREA,  
SELECTIVE TIN ON PCB TAILS,  
NICKEL OVERALL.
3. REFER TO MOLEX PRODUCT SPECIFICATION PS-76060-999  
FOR PERFORMANCE SPECIFICATIONS AND ADDITIONAL PCB INFORMATION.
4. THIS PART CONFORMS TO CLASS B REQUIREMENTS OF  
MOLEX COSMETIC SPEC PS-45499-002.
5. PACKAGE PER: PK-70873-758.
6. SEE SHEETS 2 & 3 FOR PART NUMBERS AND BOARD RELATIONSHIPS.
7. FOR GROUNDED GUIDE PINS USE DIA. 3.56 +/-0.08 (PTH)  
DIA. 3.66 (DRILL) AND DIA. 4.5 (PAD).
8. MATES WITH IMPACT DC SERIES NO. 76170.
9. KEEP OUT ZONE FOR BP HOUSING LENGTH INCLUDES AN ADDITIONAL 10MM  
TO ACCOMMODATE FOR SPACE REQUIRED BY DC FRONT HOUSING.
10. REFER TO MOLEX PCB ROUTING GUIDE AS-76060-990 FOR ANTI-PAD AND ROUTING RECOMMENDATIONS.
11. CONNECTORS SUPPLIED WITH A 2-56 UNC-2A SCREW.
12. THESE DIMENSIONS REPRESENT THE AREA NEEDED TO ACCOMMODATE CONNECTOR INSERTION AND  
REPAIR ON THE PC BOARD. THIS IS REFERRED TO AS THE "CONNECTOR KEEP OUT ZONE" AND  
DOES NOT REPRESENT THE ACTUAL PERIMETER OF THE CONNECTOR, WHEN LAYING OUT A PC BOARD  
FOR CONNECTORS STACKED TOGETHER. USE A 1.9mm PROGRESSION.

|   |  |  |              |                        |                        |   |                              |                     |
|---|--|--|--------------|------------------------|------------------------|---|------------------------------|---------------------|
| QUALITY SYMBOLS<br>▽=0<br>▽=0<br>▽=0  | GENERAL TOLERANCES (UNLESS SPECIFIED)<br>mm INCH<br>4 PLACES ±--- ±---<br>3 PLACES ±--- ±---<br>2 PLACES ±0.13 ±---<br>1 PLACE ±0.25 ±---<br>0 PLACE ±--- ±--- | DIMENSION STYLE<br>MM ONLY<br>DRAWN BY DATE<br>MSANDBERG 2007/06/18<br>CHECKED BY DATE<br>JL AURX 2007/06/18<br>APPROVED BY DATE<br>JL AURX 2010/10/15 | SCALE<br>4:1 | DESIGN UNITS<br>METRIC | THIRD ANGLE PROJECTION | TITLE<br>IMPACT BP 3 PAIR<br>RIGHT GUIDED ASSEMBLY<br>SALES DRAWING | DOCUMENT NO.<br>SD-76165-003 | SHEET NO.<br>1 OF 3 |
|   |  |  |              |                        |                        |   |                              |                     |
| DRAFT WHERE APPLICABLE MUST REMAIN WITHIN DIMENSIONS  |  |  |              |                        |                        |   |                              |                     |
| THIS DRAWING CONTAINS INFORMATION THAT IS PROPRIETARY TO MOLEX INCORPORATED AND SHOULD NOT BE USED WITHOUT WRITTEN PERMISSION |  |  |              |                        |                        |   |                              |                     |

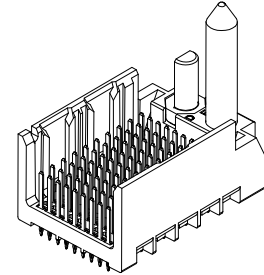
PART NUMBER TABLE

| MATERIAL NUMBER    | # OF COLUMNS | # OF DIFF PAIR | DIM "A" | DIM "B" | GUIDE RIGHT<br>END WALL<br>OPTION |
|--------------------|--------------|----------------|---------|---------|-----------------------------------|
| 76165- <b>*3**</b> | 6            | 18             | 19.3    | 9.50    |                                   |
| 76165- <b>*8**</b> | 8            | 24             | 23.1    | 13.30   |                                   |
| 76165- <b>*1**</b> | 10           | 30             | 26.9    | 17.10   |                                   |
| 76165- <b>*6**</b> | 16           | 48             | 38.3    | 28.50   |                                   |



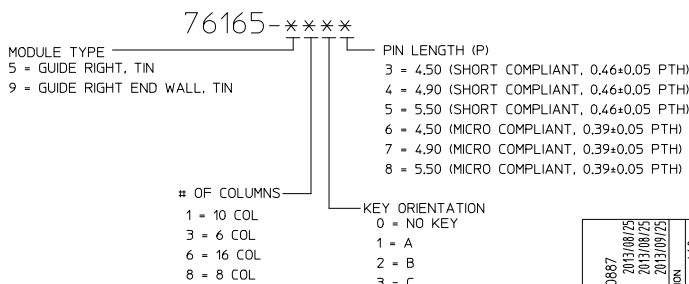
GUIDE RIGHT  
END WALL  
OPTION

| MATERIAL NUMBER    | # OF COLUMNS | # OF DIFF PAIR | DIM "A" | DIM "B" | GUIDE RIGHT<br>OPEN WALL<br>OPTION |
|--------------------|--------------|----------------|---------|---------|------------------------------------|
| 76165- <b>*3**</b> | 6            | 18             | 17.9    | 9.50    |                                    |
| 76165- <b>*8**</b> | 8            | 24             | 21.7    | 13.30   |                                    |
| 76165- <b>*1**</b> | 10           | 30             | 25.5    | 17.10   |                                    |
| 76165- <b>*6**</b> | 16           | 48             | 36.9    | 28.50   |                                    |



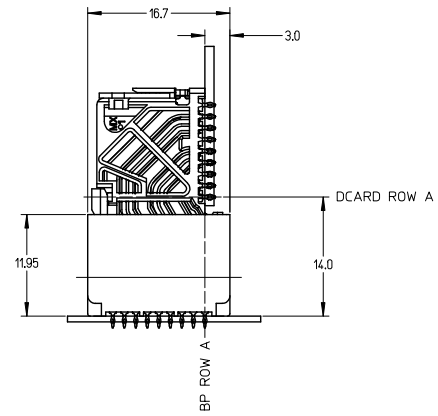
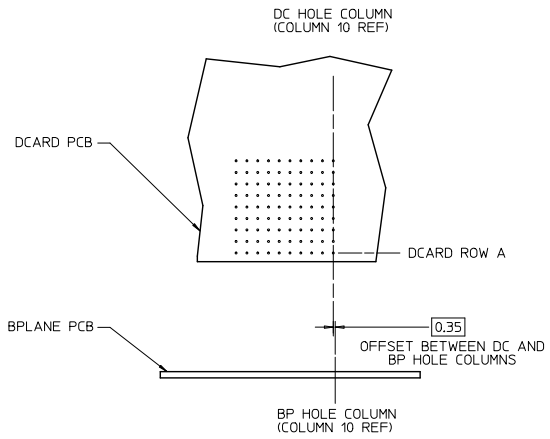
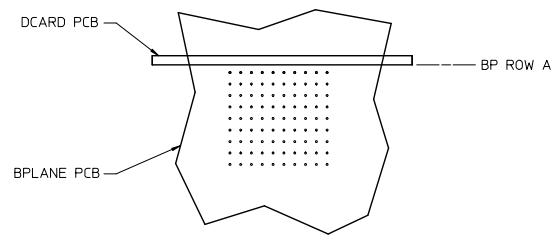
GUIDE RIGHT  
OPEN WALL  
OPTION

PART NUMBER LOGIC



|  |   |  |                           |                              |                  |  |
|--|---|--|---------------------------|------------------------------|------------------|--|
| SEE SHEET 1<br>EC NO: UCP2014-0887<br>DRWN: BINGHAM 2013/08/29<br>CHKD: LAURX 2013/08/29<br>APPR: LAURX 2013/09/25<br>DESCRIPTION<br>REV | QUALITY SYMBOLS   | GENERAL TOLERANCES (UNLESS SPECIFIED)  | DIMENSION STYLE           | SCALE                        | DESIGN UNITS     | THIRD ANGLE PROJECTION   |
|  | 4 PLACES ± 0.13<br>3 PLACES ± 0.25<br>2 PLACES ± 0.25<br>1 PLACE ± 0.25<br>0 PLACE ±  | mm INCH<br>± --- ± ---<br>± --- ± ---<br>± --- ± ---<br>± --- ± ---<br>± --- ±   | MM ONLY                   | 3:1                          | METRIC           | IMPACT BP 3 PAIR<br>RIGHT GUIDED ASSEMBLY<br>SALES DRAWING<br><b>molex</b> |
|  | ANGULAR ±1/2°<br>DRAFT WHERE APPLICABLE MUST REMAIN WITHIN DIMENSIONS   | DRAWN BY MSANDBERG<br>CHECKED BY JLAURX<br>APPROVED BY JLAURX<br>DATE 2007/06/18<br>DATE 2007/06/18<br>DATE 2010/10/15 | MATERIAL NO.<br>SEE TABLE | DOCUMENT NO.<br>SD-76165-003 | SHEET NO. 2 OF 3 |  |
|  | THIS DRAWING CONTAINS INFORMATION THAT IS PROPRIETARY TO MOLEX INCORPORATED AND SHOULD NOT BE USED WITHOUT WRITTEN PERMISSION |  |                           |                              |                  |  |

IMPACT 3 PAIR  
BOARD RELATIONSHIPS



|  |                                      |  |  |                            |                    |  |                        |  |  |
|--|--------------------------------------|--|--|----------------------------|--------------------|--|------------------------|--|--|
| SEE SHEET 1<br>EC NO: UCP2014-0887<br>DRAWN: B INGRAM 2013/08/29<br>CHKD: JLAURX 2013/08/29<br>APPR: JLAURX 2013/09/25 | QUALITY SYMBOLS<br>∇=0<br>∇=0<br>∇=0 | GENERAL TOLERANCES (UNLESS SPECIFIED)  |  | DIMENSION STYLE<br>MM ONLY |                    | SCALE<br>2:1   | DESIGN UNITS<br>METRIC | THIRD ANGLE PROJECTION   |  |
|  |                                      | 4 PLACES ± --- ± ---<br>3 PLACES ± --- ± ---<br>2 PLACES ± 0.13 ± ---<br>1 PLACE ± 0.25 ± ---<br>0 PLACE ± ± | mm INCH<br>--- ---<br>--- ---<br>--- ---<br>--- ---<br>--- --- | DRAWN BY<br>MSANDBERG      | DATE<br>2007/06/18 | TITLE<br>IMPACT BP 3 PAIR<br>RIGHT GUIDED ASSEMBLY<br>SALESS DRAWING |                        | molex  |  |
| J1   | REV                                  | DRAFT WHERE APPLICABLE<br>MUST REMAIN<br>WITHIN DIMENSIONS   |  | MATERIAL NO.<br>SEE TABLE  |                    | DOCUMENT NO.<br>SD-76165-003   |                        | THIS DRAWING CONTAINS INFORMATION THAT IS PROPRIETARY TO MOLEX<br>INCORPORATED AND SHOULD NOT BE USED WITHOUT WRITTEN PERMISSION |  |