

## Excellent Integrated System Limited

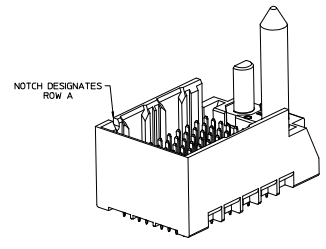
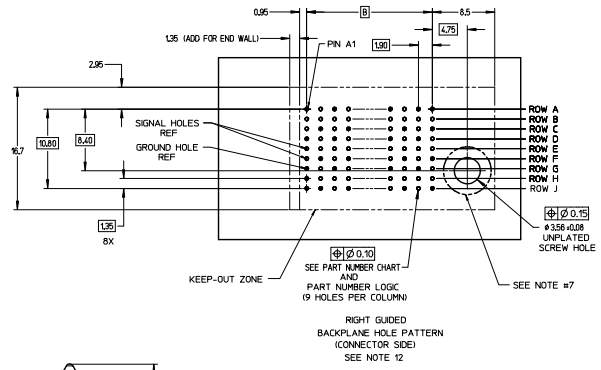
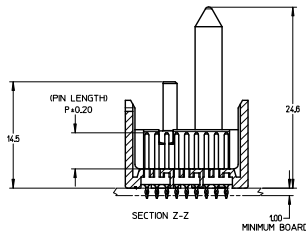
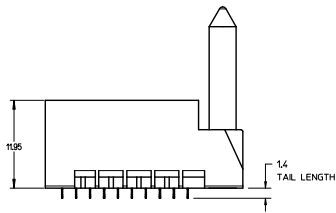
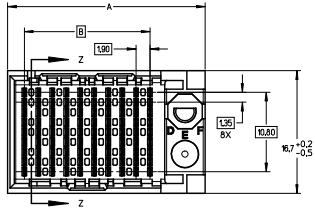
Stocking Distributor

Click to view price, real time Inventory, Delivery & Lifecycle Information:

[Molex Connector Corporation](#)  
[0761658807](#)

For any questions, you can email us directly:

[sales@integrated-circuit.com](mailto:sales@integrated-circuit.com)



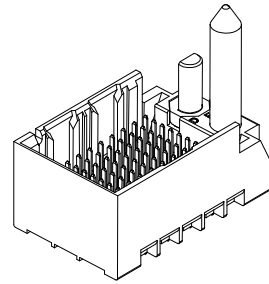
**NOTES:**

1. MATERIALS: HOUSING - LIQUID CRYSTAL POLYMER (LCP)  
GLASS-FILLED, UL94V-0  
TERMINALS - HIGH PERFORMANCE COPPER ALLOY
2. FINISH: 30μ MIN GOLD IN CONTACT AREA,  
SELECTIVE TIN ON PCB TAILS,  
NICKEL OVERALL.
3. REFER TO MOLEX PRODUCT SPECIFICATION PS-76060-999  
FOR PERFORMANCE SPECIFICATIONS AND ADDITIONAL PCB INFORMATION.
4. THIS PART CONFORMS TO CLASS B REQUIREMENTS OF  
MOLEX COSMETIC SPEC PS-45499-002.
5. PACKAGE PER: PK-70873-758.
6. SEE SHEETS 2 & 3 FOR PART NUMBERS AND BOARD RELATIONSHIPS.
7. FOR GROUNDED GUIDE PINS USE DIA. 3.56 +/-0.08 (PTH)  
DIA. 3.66 (DRILL) AND DIA. 4.5 (PAD).
8. MATES WITH IMPACT DC SERIES NO. 76170.
9. KEEP OUT ZONE FOR BP HOUSING LENGTH INCLUDES AN ADDITIONAL 10MM  
TO ACCOMMODATE FOR SPACE REQUIRED BY DC FRONT HOUSING.
10. REFER TO MOLEX PCB ROUTING GUIDE AS-76060-990 FOR ANTI-PAD AND ROUTING RECOMMENDATIONS.
11. CONNECTORS SUPPLIED WITH A 2-56 UNC-2A SCREW.
12. THESE DIMENSIONS REPRESENT THE AREA NEEDED TO ACCOMMODATE CONNECTOR INSERTION AND  
REPAIR ON THE PC BOARD. THIS IS REFERRED TO AS THE "CONNECTOR KEEP OUT ZONE" AND  
DOES NOT REPRESENT THE ACTUAL PERIMETER OF THE CONNECTOR, WHEN LAYING OUT A PC BOARD  
FOR CONNECTORS STACKED TOGETHER, USE A 1.9mm PROGRESSION.

QUALITY SYMBOLS ▽=0 ▽=0 ▽=0 ANGLE 1/2° DRAFT WHERE APPLICABLE MUST REMAIN WITHIN DIMENSIONS	GENERAL TOLERANCES (UNLESS SPECIFIED) mm INCH 4 PLACES ± 0.15 ± 0.006 3 PLACES ± 0.25 ± 0.010 2 PLACES ± 0.38 ± 0.015 1 PLACE ± 0.51 ± 0.020	DIMENSION STYLE MM ONLY DRAWN BY MSANDBERG DATE 2007/06/18 CHECKED BY JL AURX DATE 2007/06/18 APPROVED BY JL AURX DATE 2010/10/15	SCALE 4:1 DESIGN UNITS METRIC THIRD ANGLE PROJECTION	TITLE IMPACT BP 3 PAIR RIGHT GUIDED ASSEMBLY SALES DRAWING	MATERIAL NO. SEE TABLE	DOCUMENT NO. SD-76165-003	SHEET NO. 1 OF 3

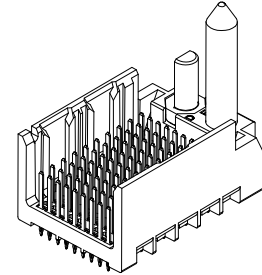
PART NUMBER TABLE

MATERIAL NUMBER	# OF COLUMNS	# OF DIFF PAIR	DIM "A"	DIM "B"	GUIDE RIGHT END WALL OPTION
76165-*3**	6	18	19.3	9.50	
76165-*8**	8	24	23.1	13.30	
76165-*1**	10	30	26.9	17.10	
76165-*6**	16	48	38.3	28.50	



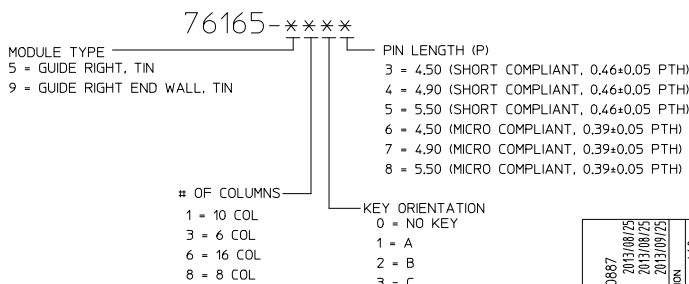
GUIDE RIGHT  
END WALL  
OPTION

MATERIAL NUMBER	# OF COLUMNS	# OF DIFF PAIR	DIM "A"	DIM "B"	GUIDE RIGHT OPEN WALL OPTION
76165-*3**	6	18	17.9	9.50	
76165-*8**	8	24	21.7	13.30	
76165-*1**	10	30	25.5	17.10	
76165-*6**	16	48	36.9	28.50	



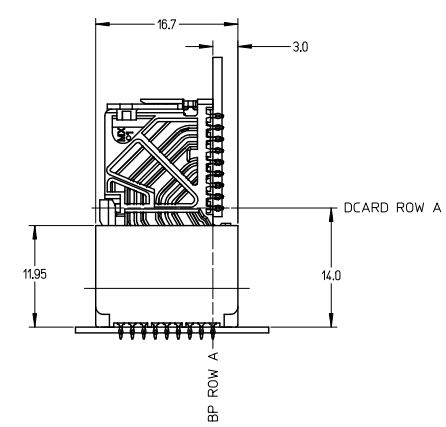
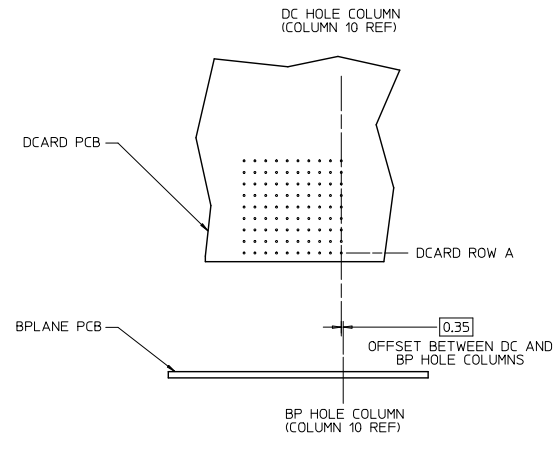
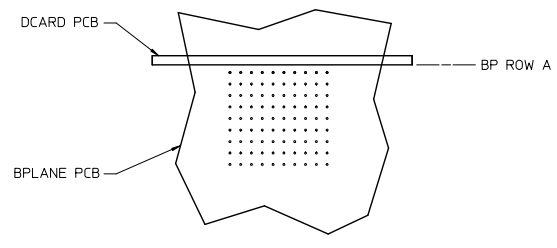
GUIDE RIGHT  
OPEN WALL  
OPTION

PART NUMBER LOGIC



SEE SHEET 1 EC NO: UCP2014-0887 DRWN: BINGHAY 2013/08/29 CHKD: LAURX 2013/08/29 APPR: LAURX 2013/09/25 DESCRIPTION REV	QUALITY SYMBOLS	GENERAL TOLERANCES (UNLESS SPECIFIED)	DIMENSION STYLE MM ONLY	SCALE 3:1	DESIGN UNITS METRIC	THIRD ANGLE PROJECTION
	▽=0	4 PLACES ± --- ± ---	DRAWN BY MSANDBERG	DATE 2007/06/18	TITLE IMPACT BP 3 PAIR RIGHT GUIDED ASSEMBLY SALES DRAWING	
	▽=0	3 PLACES ± --- ± ---	CHECKED BY JLAURX	DATE 2007/06/18		
	▽=0	2 PLACES ± 0.13 ± ---	APPROVED BY JLAURX	DATE 2010/10/15		
		1 PLACE ± 0.25 ± ---	MATERIAL NO.		DOCUMENT NO.	SHEET NO.
		0 PLACE ± ±	SEE TABLE		SD-76165-003	2 OF 3
DRAFT WHERE APPLICABLE MUST REMAIN WITHIN DIMENSIONS		THIS DRAWING CONTAINS INFORMATION THAT IS PROPRIETARY TO MOLEX INCORPORATED AND SHOULD NOT BE USED WITHOUT WRITTEN PERMISSION				

IMPACT 3 PAIR  
BOARD RELATIONSHIPS



SEE SHEET 1 EC NO: UCP2014-0887 DRAWN: J. INGRAM 2013/08/29 CHKD: JLAURX 2013/08/29 APPR: JLAURX 2013/09/25	QUALITY SYMBOLS ∇=0 ∇=0 ∇=0	GENERAL TOLERANCES (UNLESS SPECIFIED)		DIMENSION STYLE MM ONLY		SCALE 2:1	DESIGN UNITS METRIC	THIRD ANGLE PROJECTION		
		4 PLACES ± --- ± ---	mm	INCH	DRAWN BY	DATE	TITLE IMPACT BP 3 PAIR RIGHT GUIDED ASSEMBLY SALESS DRAWING			
		3 PLACES ± --- ± ---			MSANDBERG	2007/06/18	molex			
		2 PLACES ± 0.13 ± ---			JLAURX	2007/06/18	SD-76165-003			
1 PLACE ± 0.25 ± ---			JLAURX	2010/10/15	MATERIAL NO. SEE TABLE		DOCUMENT NO. SD-76165-003		SHEET NO. 3 OF 3	
0 PLACE ± ±			ANGULAR ± 1/2°		THIS DRAWING CONTAINS INFORMATION THAT IS PROPRIETARY TO MOLEX INCORPORATED AND SHOULD NOT BE USED WITHOUT WRITTEN PERMISSION					
DRAFT WHERE APPLICABLE MUST REMAIN WITHIN DIMENSIONS										