

Excellent Integrated System Limited

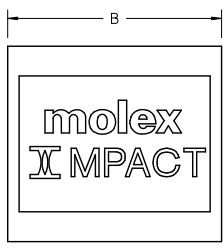
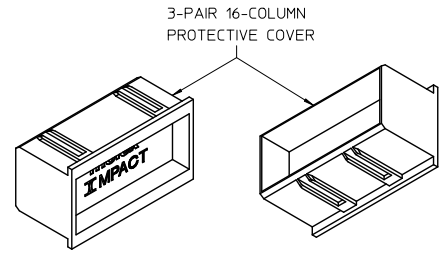
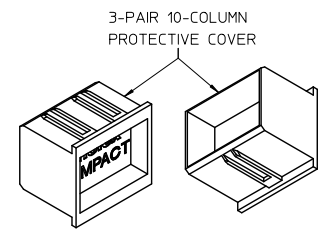
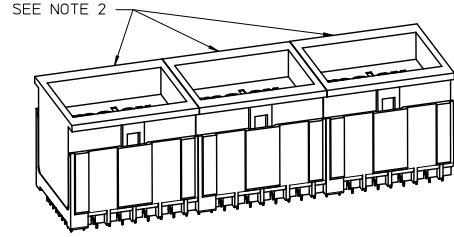
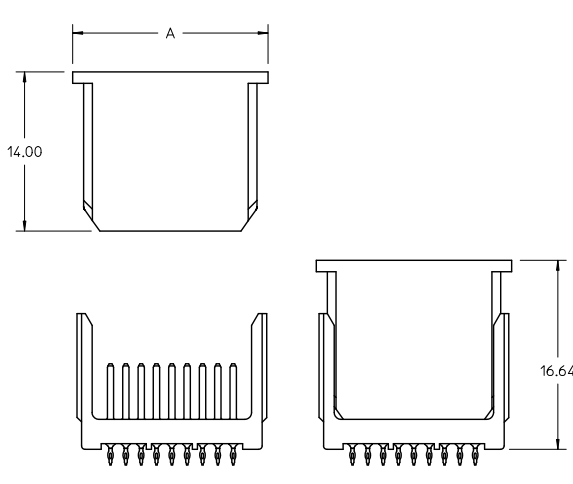
Stocking Distributor

Click to view price, real time Inventory, Delivery & Lifecycle Information:

[Molex Connector Corporation](#)
[0762790410](#)

For any questions, you can email us directly:
sales@integrated-circuit.com

13 12 11 10 9 8 7 6 5 4 3 2 1



PART NUMBER	NUMBER OF PAIRS	NUMBER OF COLUMNS	DIM 'A'	DIM 'B'	TOOLED
76279-0210	2 PAIR	10 COLUMN	13.15	18.82	N/A
76279-0216	2 PAIR	16 COLUMN	13.15	30.22	N/A
76279-0310	3 PAIR	10 COLUMN	17.20	18.82	YES
76279-0316	3 PAIR	16 COLUMN	17.20	30.22	
76279-0408	4 PAIR	8 COLUMN	21.25	15.02	YES
76279-0410	4 PAIR	10 COLUMN	21.25	18.82	
76279-0416	4 PAIR	16 COLUMN	21.25	30.22	
76279-0510	5 PAIR	10 COLUMN	25.30	18.82	
76279-0516	5 PAIR	16 COLUMN	25.30	30.22	
76279-0610	6 PAIR	10 COLUMN	29.35	18.82	
76279-0614	6 PAIR	14 COLUMN	29.35	26.42	N/A
76279-0616	6 PAIR	16 COLUMN	29.35	30.22	YES

- NOTES:
- MATERIAL: HIGH IMPACT POLYSTYRENE
COLOR: NATURAL
 - CONNECTORS WITH HEADER COVERS ARE END TO END STACKABLE.
 - PACKAGE PER: PK-70873-804
 - THIS PART CONFORMS TO MOLEX PRODUCT SPECIFICATION: PS-75710-999
 - THIS PART CONFORMS TO CLASS B REQUIREMENTS OF COSMETIC SPEC PS-45499-002.

ADD 6X14 & 4X8 EC NO: UCP201F-2885 DRAWN: JB INGHAM 2011/03/24 CHECKED: JB INGHAM 2011/05/24 APPR: JB INGHAM 2011/05/25	QUALITY SYMBOLS ▽=0 ▽=0	GENERAL TOLERANCES (UNLESS SPECIFIED)		DIMENSION STYLE IN/MM		SCALE 4:1	DESIGN UNITS INCH	THIRD ANGLE PROJECTION		
		4 PLACES ± --- ± ---	3 PLACES ± --- ± ---	2 PLACES ± 0.13 ± ---	1 PLACE ± 0.25 ± ---	DRAWN BY JMENDOZA	DATE 2008/12/17	TITLE IMPACT BP ASSY PROTECTIVE HEADER COVERS		
		ANGULAR ± 1/2°				APPROVED BY JB INGHAM	DATE 2009/12/29	MOLEX INCORPORATED		
		DRAFT WHERE APPLICABLE MUST REMAIN WITHIN DIMENSIONS				SEE CHART		DOCUMENT NO. SD-76279-001	SHEET NO. 1 OF 1	

THIS DRAWING CONTAINS INFORMATION THAT IS PROPRIETARY TO MOLEX INCORPORATED AND SHOULD NOT BE USED WITHOUT WRITTEN PERMISSION

1b_frame_C_P_AM_T Rev. E 2006/04/15 12 11 10 9 8 7 6 5 4 3 2 1