

Excellent Integrated System Limited

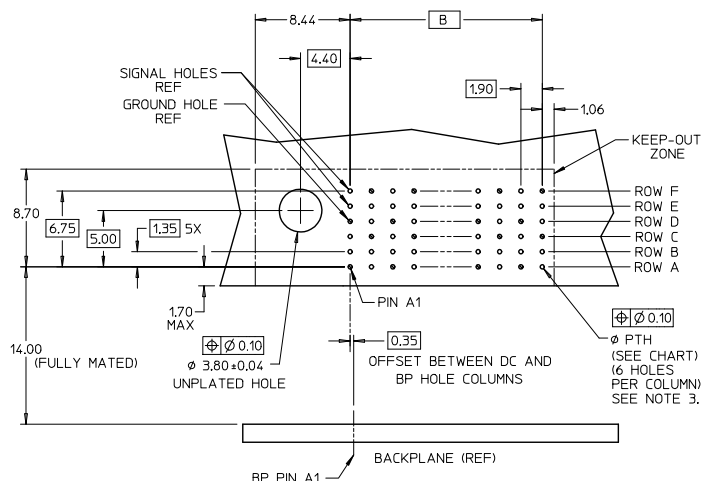
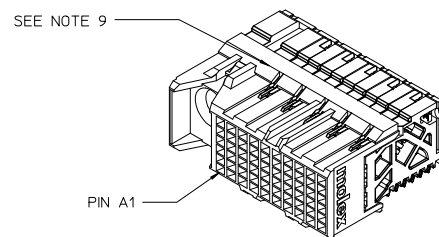
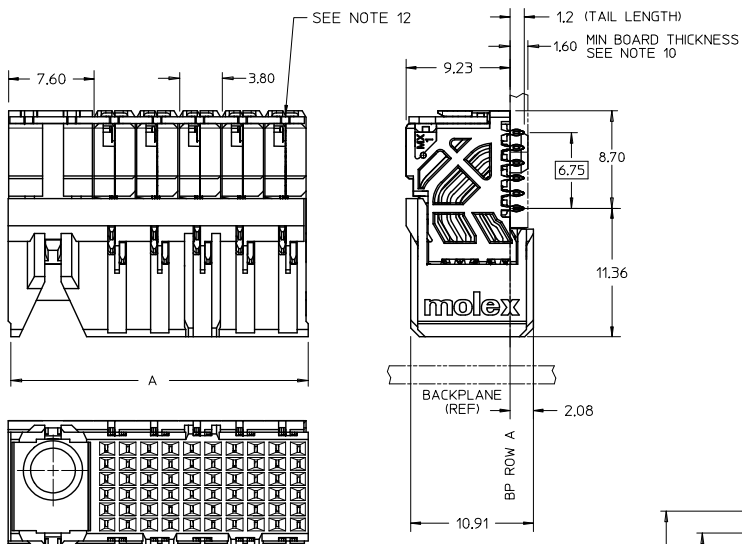
Stocking Distributor

Click to view price, real time Inventory, Delivery & Lifecycle Information:

[Molex Connector Corporation](#)
[0764603020](#)

For any questions, you can email us directly:

sales@integrated-circuit.com



DAUGHTERCARD HOLE PATTERN
(CONNECTOR SIDE)

- NOTES:
- MATERIALS: HOUSING - LIQUID CRYSTAL POLYMER (LCP), GLASS-FILLED, UL94V-0
TERMINALS - HIGH PERFORMANCE COPPER ALLOY
 - FINISH: 30µM MIN SELECTIVE GOLD IN CONTACT AREA, SELECTIVE TIN ON PCB TAILS, NICKEL OVERALL.
 - REFER TO MOLEX PRODUCT SPEC PS-76060-999 FOR PERFORMANCE SPECIFICATIONS AND ADDITIONAL PCB INFORMATION.
 - EACH SIGNAL WAFER CONTAINS 2 COLUMNS OF TERMINALS.
 - PRODUCT IS PACKAGED PER PK-70873-592.
 - THIS PART CONFORMS TO CLASS B REQUIREMENTS OF COSMETIC SPEC PS-45499-002.
 - REFER TO MOLEX SALES DRAWING SD-76455-002 FOR THE MATING HEADERS AND SD-76460-004 FOR MATING RAM.
 - REFER TO MOLEX PCB ROUTING GUIDE AS-76060-990 FOR ANTI PAD AND ROUTING RECOMMENDATIONS.
 - PART NUMBER 76460-1020 SHOWN ON DRAWING. KEYING FEATURES WILL CHANGE WITH COLUMN SIZE.
 - MINIMUM BOARD THICKNESS IS 1.60 mm FOR COMPLIANT PIN FUNCTIONALITY.
 - WHEN USING MOLEX SUPPLIED #2-32 SCREW 73726-4000 (4.31mm ±0.38 THREADABLE SCREW LENGTH), THE MAXIMUM BOARD THICKNESS IS 1.8 mm TO 2.4 mm.
 - THIS NOTCH IS A DIE NOTCH. IT IS SHOWN TO IDENTIFY IT'S PRESENCE, NOT IT'S POSITION. (THIS WILL VARY WITH PART LENGTH). IT SERVES NO PURPOSE IN THE FINISHED ASSEMBLY.

| | | | | | | | | |
|---|--------------------------------------|--|------|--|------------------------------|--|------------------------|------------------------|
| ADDED NOTE 12 EC NO: UCP2014-4841 DRAWN: HIPPLE 2014/05/20 CHKD: MORGAN 2014/05/20 APPR: SHILLER 2014/07/23 | QUALITY SYMBOLS ▽=0 ▽=0 ▽=0 | GENERAL TOLERANCES (UNLESS SPECIFIED) | | DIMENSION STYLE MM ONLY | | SCALE 4:1 | DESIGN UNITS METRIC | THIRD ANGLE PROJECTION |
| | | mm | INCH | DRAWN BY JLAURX | DATE 2008/04/11 | TITLE IMPACT 100 OHM DC 2 PAIR SIGNAL MODULE GUIDE LEFT SALES DWG | molex | |
| | | 4 PLACES ± | ± | CHECKED BY TELO | DATE 2008/04/11 | | | |
| | | 3 PLACES ± | ± | APPROVED BY JLAURX | DATE 2008/04/11 | | | |
| | | 2 PLACES ± | 0.13 | | | | | |
| | | 1 PLACE ± | 0.25 | | | | | |
| | | 0 PLACE ± | ± | | | | | |
| | | ANGULAR ±1/2° | | MATERIAL NO. SEE CHART | DOCUMENT NO. SD-76460-002 | | | SHEET NO. 1 OF 2 |
| | | DRAFT WHERE APPLICABLE MUST REMAIN WITHIN DIMENSIONS | | THIS DRAWING CONTAINS INFORMATION THAT IS PROPRIETARY TO MOLEX INCORPORATED AND SHOULD NOT BE USED WITHOUT WRITTEN PERMISSION | | | | |

| MATERIAL NUMBER | # OF COLUMNS | # OF DIFF PAIR | DIM 'A' MAX | DIM 'B' | PTH ϕ |
|-----------------|--------------|----------------|-------------|---------|------------|
| 76460-*010 | 10 | 20 | 26.60 | 17.10 | 0.46 |
| 76460-*016 | 16 | 32 | 38.00 | 28.50 | +0.05 |
| 76460-*020 | 10 | 20 | 26.60 | 17.10 | 0.39 |
| 76460-*026 | 16 | 32 | 38.00 | 28.50 | +0.05 |

76460-*0**

MODULE & TAIL PLATING TYPE
3 = LEFT GUIDED LEAD-FREE

OF COLUMNS
10 = 10 COL 0.46 PTH
16 = 16 COL 0.46 PTH
20 = 10 COL 0.39 PTH
26 = 16 COL 0.39 PTH

| | | | | | | |
|--|---|--|---------------------------|------------------------------|---------------------|--|
| SEE SHEET 1 EC NO: UCP2014-4841 DRAWN BY: DRW:WHITPLE 2014/05/20 CHECKED BY: CHK:BJORGAN 2014/05/20 APPROVED BY: APPR:SMILLER 2014/07/23 | QUALITY SYMBOLS | GENERAL TOLERANCES (UNLESS SPECIFIED) | DIMENSION STYLE | SCALE | DESIGN UNITS | THIRD ANGLE PROJECTION |
| | $\nabla = 0$ $\nabla = 0.13$ $\nabla = 0.25$ | mm INCH 4 PLACES \pm --- \pm --- 3 PLACES \pm --- \pm --- 2 PLACES ± 0.13 \pm --- 1 PLACE ± 0.25 \pm --- 0 PLACE \pm --- \pm --- | MM ONLY | 4:1 | METRIC | TITLE IMPACT 100 OHM DC 2 PAIR SIGNAL MODULE GUIDE LEFT SALES DWG |
| | ANGULAR $\pm 1/2^\circ$ DRAFT WHERE APPLICABLE MUST REMAIN WITHIN DIMENSIONS | DRAWN BY: JLAURX DATE: 2008/04/11 CHECKED BY: TELO DATE: 2008/04/11 APPROVED BY: JLAURX DATE: 2008/04/11 | MATERIAL NO. SEE CHART | DOCUMENT NO. SD-76460-002 | SHEET NO. 2 OF 2 | |
| | SIZE C | THIS DRAWING CONTAINS INFORMATION THAT IS PROPRIETARY TO MOLEX INCORPORATED AND SHOULD NOT BE USED WITHOUT WRITTEN PERMISSION | | | | |