

Excellent Integrated System Limited

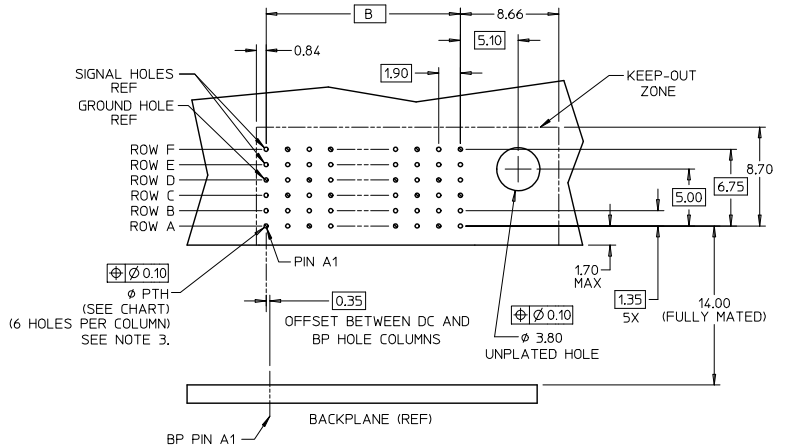
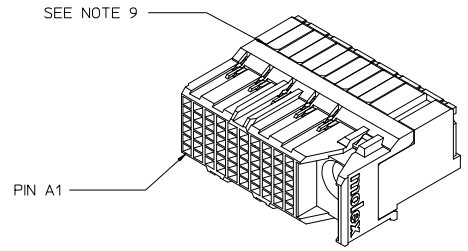
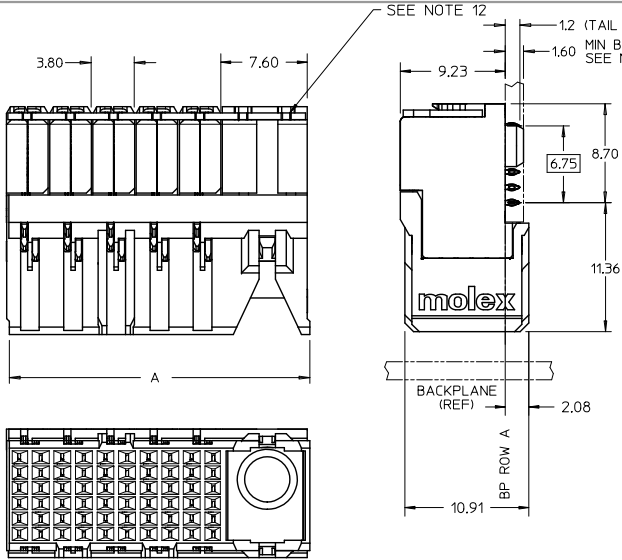
Stocking Distributor

Click to view price, real time Inventory, Delivery & Lifecycle Information:

[Molex Connector Corporation](#)
[0764605010](#)

For any questions, you can email us directly:

sales@integrated-circuit.com



DAUGHTERCARD HOLE PATTERN (CONNECTOR SIDE)

NOTES:

1. MATERIALS: HOUSING - LIQUID CRYSTAL POLYMER (LCP), GLASS-FILLED, UL94V-0
TERMINALS - HIGH PERFORMANCE COPPER ALLOY
2. FINISH: 304N MIN SELECTIVE GOLD IN CONTACT AREA, SELECTIVE TIN ON PCB TAILS, NICKEL OVERALL.
3. REFER TO MOLEX PRODUCT SPEC PS-76060-999 FOR PERFORMANCE SPECIFICATIONS AND ADDITIONAL PCB INFORMATION.
4. EACH SIGNAL WAFER CONTAINS 2 COLUMNS OF TERMINALS.
5. PRODUCT IS PACKAGED PER PK-70873-592.
6. THIS PART CONFORMS TO CLASS B REQUIREMENTS OF COSMETIC SPEC PS-45499-002.
7. REFER TO MOLEX SALES DRAWING SD-76455-003 FOR THE MATING HEADERS AND SD-76450-002 FOR MATING RAM.
8. REFER TO MOLEX PCB ROUTING GUIDE AS-76060-990 FOR ANTIPAD AND ROUTING RECOMMENDATIONS.
9. PART NUMBER 76460-5020 SHOWN ON DRAWING. KEYING FEATURES WILL CHANGE WITH COLUMN SIZE.
10. MINIMUM BOARD THICKNESS IS 1.60 mm FOR COMPLIANT PIN FUNCTIONALITY.
11. WHEN USING MOLEX SUPPLIED #2-32 SCREW 73726-4000 (4.31mm ±0.38 THREADABLE SCREW LENGTH), THE MAXIMUM BOARD THICKNESS IS 1.8 mm TO 2.4 mm.
12. THIS NOTCH IS A DIE NOTCH. IT IS SHOWN TO IDENTIFY ITS PRESENCE, NOT ITS POSITION. (THIS WILL VARY WITH PART LENGTH), IT SERVES NO PURPOSE IN THE FINISHED ASSEMBLY.

| | | | | | | | | |
|---|--------------------------------------|--|---|----------------------------|--------------------|---|------------------------|---|
| ADDED NOTE 12 EC NO: UCP2014-4661 2014/05/28 DRW:WHITPLE CHK:BJORGAN APPR:SMILLER 2014/07/23 | QUALITY SYMBOLS ∇=0 ∇=0 ∇=0 | GENERAL TOLERANCES (UNLESS SPECIFIED) | | DIMENSION STYLE MM ONLY | | SCALE 4:1 | DESIGN UNITS METRIC | THIRD ANGLE PROJECTION |
| | | 4 PLACES ± --- ± --- 3 PLACES ± --- ± --- 2 PLACES ± 0.13 ± --- 1 PLACE ± 0.25 ± --- 0 PLACE ± --- ± --- | mm INCH ± --- ± --- ± --- ± --- ± --- ± --- ± --- ± --- | DRAWN BY JLAURX | DATE 2008/04/11 | CHECKED BY JLAURX | DATE 2008/04/11 | TITLE IMPACT 100 OHM DC 2 PAIR SIGNAL MODULE GUIDE RIGHT SALES DWG |
| | | ANGULAR ±1/2° | | MATERIAL NO. | | DOCUMENT NO. | | SHEET NO. 1 OF 2 |
| DRAFT WHERE APPLICABLE MUST REMAIN WITHIN DIMENSIONS | | SEE CHART | | SD-76460-004 | | THIS DRAWING CONTAINS INFORMATION THAT IS PROPRIETARY TO MOLEX INCORPORATED AND SHOULD NOT BE USED WITHOUT WRITTEN PERMISSION | | |

| MATERIAL NUMBER | # OF COLUMNS | # OF DIFF PAIR | DIM 'A' MAX | DIM 'B' | PTH ϕ |
|-----------------|--------------|----------------|-------------|---------|------------|
| 76460-*010 | 10 | 20 | 26.60 | 17.10 | 0.46 |
| 76460-*016 | 16 | 32 | 38.00 | 28.50 | +0.05 |
| 76460*020 | 10 | 20 | 26.60 | 17.10 | 0.39 |
| 76460-*026 | 16 | 32 | 38.00 | 28.50 | +0.05 |

76460-*0**

MODULE & TAIL PLATING TYPE
5 = RIGHT GUIDED LEAD-FREE

OF COLUMNS
10 = 10 COL 0.46 PTH
16 = 16 COL 0.46 PTH
20 = 10 COL 0.39 PTH
26 = 16 COL 0.39 PTH

| | | | | | | | | | |
|---|--------------------------------------|--|-------|----------------------------|-----------------------|---|--|------------------------|--|
| SEE SHEET 1 EC NO: UCP2014-4841 DRAWN BY: DRWNRHITPLE 2014/05/20 CHECKED BY: CHKRBORGAN 2014/05/20 APPR: SMILLER 2014/07/23 | QUALITY SYMBOLS ▽=0 ▽=0 ▽=0 | GENERAL TOLERANCES (UNLESS SPECIFIED) | | DIMENSION STYLE MM ONLY | | SCALE 4:1 | DESIGN UNITS METRIC | THIRD ANGLE PROJECTION | |
| | | | mm | INCH | DRAWN BY JLAURX | DATE 2008/04/11 | TITLE IMPACT 100 OHM DC 2 PAIR SIGNAL MODULE GUIDE RIGHT SALES DWG molex MATERIAL NO. SD-76460-004 DOCUMENT NO. SHEET NO. 2 OF 2 | | |
| | | 4 PLACES | ±--- | ±--- | CHECKED BY JLAURX | DATE 2008/04/11 | | | |
| | | 3 PLACES | ±--- | ±--- | APPROVED BY JLAURX | DATE 2008/04/11 | | | |
| 2 PLACES | ±0.13 | ±--- | | | | | | | |
| | | 1 PLACE | ±0.25 | ±--- | | | | | |
| | | 0 PLACE | ±--- | ±--- | | | | | |
| | | ANGULAR ±1/2° | | SEE CHART | | | | | |
| | | DRAFT WHERE APPLICABLE MUST REMAIN WITHIN DIMENSIONS | | SIZE C | | THIS DRAWING CONTAINS INFORMATION THAT IS PROPRIETARY TO MOLEX INCORPORATED AND SHOULD NOT BE USED WITHOUT WRITTEN PERMISSION | | | |