

## Excellent Integrated System Limited

Stocking Distributor

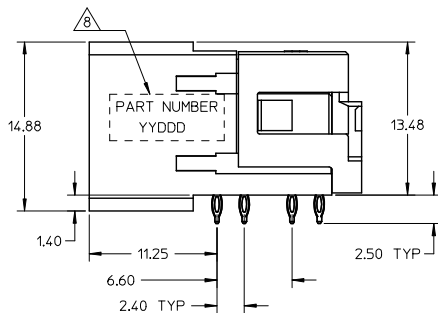
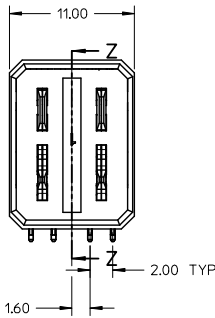
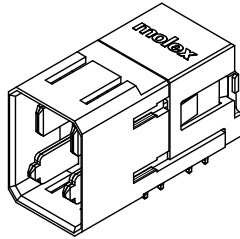
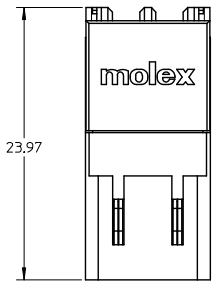
Click to view price, real time Inventory, Delivery & Lifecycle Information:

[Molex Connector Corporation](#)  
[0782111011](#)

For any questions, you can email us directly:

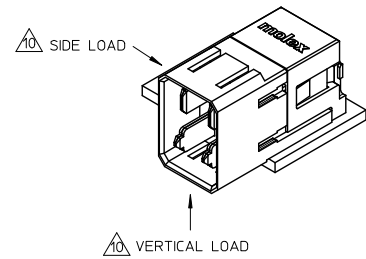
[sales@integrated-circuit.com](mailto:sales@integrated-circuit.com)

10 9 8 7 6 5 4 3 2 1



NOTES:

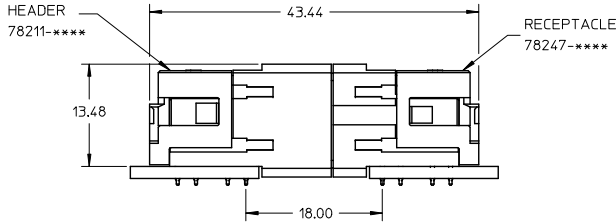
1. MATERIAL:  
HOUSING - LCP, GLASS FILLED, UL94-V0, COLOR: BLACK  
POWER PIN - COPPER ALLOY
2. FINISH OPTION:  
TIN - 0.76µm MINIMUM GOLD AT CONTACT AND  
2.54µm MINIMUM TIN AT SOLDER TAIL AREA OVER  
1.27µm MINIMUM NICKEL UNDERPLATE OVERALL.
3. PRODUCT SPECIFICATION: PS-78213-001.
4. PACKAGING SPECIFICATION: PK-78211-001.
5. MATES WITH 78247-\*\*\*\* & 78212-\*\*\*\*.
6. REFER TO SHEET 3 FOR RECOMMENDED PCB LAYOUT.
7. REFER TO MOLEX PRODUCT SPECIFICATION PS-78213-001 FOR PLATED THROUGH-HOLE SPECIFICATIONS.
8. PART NUMBER AND DATE CODE (YYDD) APPROXIMATELY SHOWN.
9. KEEP OUT ZONE FROM OTHER COMPONENTS.
10. CONNECTOR-TO-PCB RETENTION FORCE SHALL WITHSTAND VERTICAL LOAD OF 1.5KGF AND SIDE LOAD OF 3KGF MAXIMUM RESPECTIVELY. FOR APPLICATION THAT REQUIRES MORE CONNECTOR-TO-PCB RETENTION FORCE, PLEASE CONTACT MOLEX SALES TECHNICAL PERSONNEL FOR RECOMMENDATION.



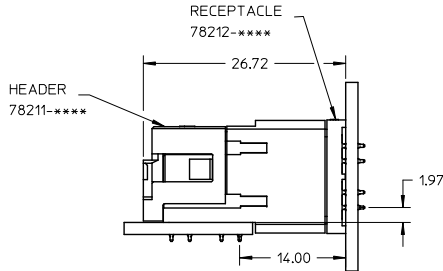
CKTS PATH PINS NOS. EC NO: S2014-0872 DRAWN: SHONG CHKD: CHCOH APPR: SHILENI REV: A4	QUALITY SYMBOLS ▽=0 ▽=0	GENERAL TOLERANCES (UNLESS SPECIFIED)		DIMENSION STYLE MM ONLY		SCALE NTS	DESIGN UNITS METRIC	THIRD ANGLE PROJECTION		
		4 PLACES ± --- ± --- 3 PLACES ± --- ± --- 2 PLACES ± 0.25 ± --- 1 PLACE ± --- ± --- ANGULAR ± 3°	mm INCH	DRAWN BY LNG CHECKED BY ANG APPROVED BY SHONG	DATE 2007/11/26 DATE 2007/12/10 DATE 2007/12/11	TITLE IMPACT POWER, 3 PAIR RIGHT ANGLE HEADER PRESS-FIT	MOLEX INCORPORATED			
		DRAFT WHERE APPLICABLE MUST REMAIN WITHIN DIMENSIONS	MATERIAL NO. SEE TABLE		DOCUMENT NO. SD-78211-002	SHEET NO. 1 OF 3				
					THIS DRAWING CONTAINS INFORMATION THAT IS PROPRIETARY TO MOLEX INCORPORATED AND SHOULD NOT BE USED WITHOUT WRITTEN PERMISSION					

9 8 7 6 5 4 3 2 1

10 9 8 7 6 5 4 3 2 1

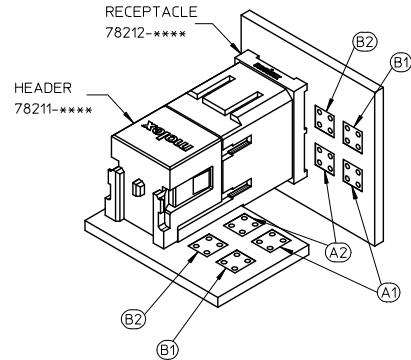
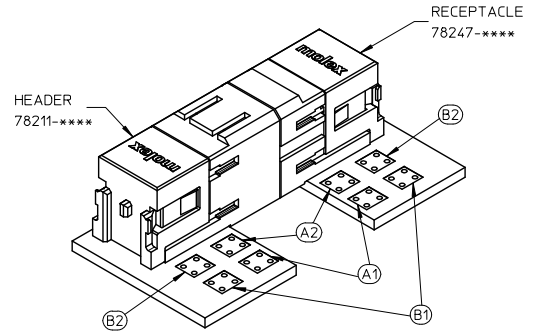


RIGHT ANGLE HEADER (78211) & RIGHT ANGLE RECEPTACLE (78247)

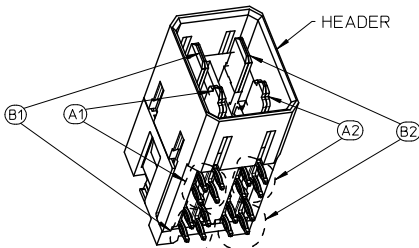


RIGHT ANGLE HEADER (78211) & VERTICAL RECEPTACLE (78212)

MATED SYSTEM OPTIONS WITH 78211



CIRCUIT PATH OF MATED SYSTEM

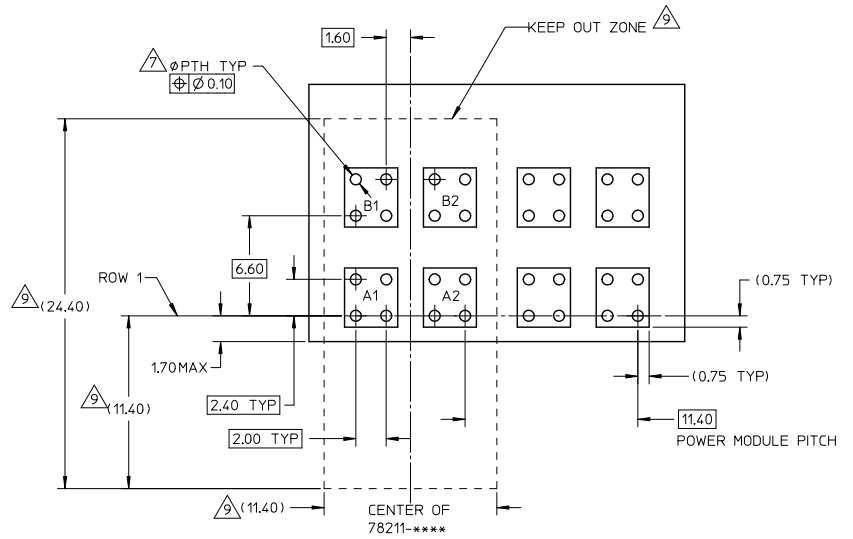
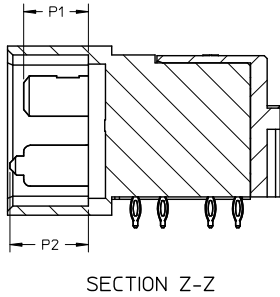


PIN NUMBER ASSIGNMENT FOR CIRCUIT PATH ON MATED SYSTEM IS BASED ON HEADER SIDE:  
A1, B1 ON THE LEFT,  
A2, B2 ON THE RIGHT.

<b>CKTS PATH PINS NOS</b> EC NO: S2014-0872 DRAWN: SHONG 2014/12/16 CHKD: CHCOH 2015/04/07 APPR: SHLENI 2015/04/07 REV: A4	QUALITY SYMBOLS ▽=0 ▽=0	GENERAL TOLERANCES (UNLESS SPECIFIED) <table border="1"> <tr> <td></td> <td>mm</td> <td>INCH</td> </tr> <tr> <td>4 PLACES</td> <td>± ---</td> <td>± ---</td> </tr> <tr> <td>3 PLACES</td> <td>± ---</td> <td>± ---</td> </tr> <tr> <td>2 PLACES</td> <td>± 0.25</td> <td>± ---</td> </tr> <tr> <td>1 PLACE</td> <td>± ---</td> <td>± ---</td> </tr> <tr> <td colspan="3">ANGULAR ± 3°</td> </tr> </table>		mm	INCH	4 PLACES	± ---	± ---	3 PLACES	± ---	± ---	2 PLACES	± 0.25	± ---	1 PLACE	± ---	± ---	ANGULAR ± 3°			DIMENSION STYLE MM ONLY	SCALE NTS	DESIGN UNITS METRIC	THIRD ANGLE PROJECTION
		mm	INCH																					
	4 PLACES	± ---	± ---																					
	3 PLACES	± ---	± ---																					
2 PLACES	± 0.25	± ---																						
1 PLACE	± ---	± ---																						
ANGULAR ± 3°																								
DRAWN BY NG	DATE 2007/11/26	TITLE IMPACT POWER, 3 PAIR RIGHT ANGLE HEADER PRESS-FIT		MOLEX INCORPORATED		SHEET NO. 2 OF 3																		
CHECKED BY SHONG	DATE 2007/12/10	APPROVED BY SHONG		MATERIAL NO. SEE TABLE	DOCUMENT NO. SD-78211-002	THIS DRAWING CONTAINS INFORMATION THAT IS PROPRIETARY TO MOLEX INCORPORATED AND SHOULD NOT BE USED WITHOUT WRITTEN PERMISSION																		
DRAFT WHERE APPLICABLE MUST REMAIN WITHIN DIMENSIONS		SIZE A3		THIS DRAWING CONTAINS INFORMATION THAT IS PROPRIETARY TO MOLEX INCORPORATED AND SHOULD NOT BE USED WITHOUT WRITTEN PERMISSION																				

10 9 8 7 6 5 4 3 2 1

PART NUMBER	P1 (APPLIES TO B1 & B2)	P2 (APPLIES TO A1 & A2)	PLATING OPTIONS	PACKAGING
78211-1011	6.90	6.90	TIN PLATING	TRAY
78211-1022	5.70	5.70		
78211-1033	6.90	5.70		
78211-1044	5.70	6.90		



<b>CKTS PATH PINS NOS.</b> EC NO: S2014-0872 DRAWN: SHONG 2014/12/16 CHKD: CHCOH 2015/04/07 APPR: SILLENI 2015/04/07 REV: A4	QUALITY SYMBOLS ▽=0 ▽=0	GENERAL TOLERANCES (UNLESS SPECIFIED) <table border="1"> <thead> <tr> <th></th> <th>mm</th> <th>INCH</th> </tr> </thead> <tbody> <tr> <td>4 PLACES</td> <td>± ---</td> <td>± ---</td> </tr> <tr> <td>3 PLACES</td> <td>± ---</td> <td>± ---</td> </tr> <tr> <td>2 PLACES</td> <td>± 0.25</td> <td>± ---</td> </tr> <tr> <td>1 PLACE</td> <td>± ---</td> <td>± ---</td> </tr> <tr> <td colspan="3">ANGULAR ± 3°</td> </tr> </tbody> </table>		mm	INCH	4 PLACES	± ---	± ---	3 PLACES	± ---	± ---	2 PLACES	± 0.25	± ---	1 PLACE	± ---	± ---	ANGULAR ± 3°			DIMENSION STYLE MM ONLY	SCALE NTS	DESIGN UNITS METRIC	THIRD ANGLE PROJECTION
		mm	INCH																					
	4 PLACES	± ---	± ---																					
	3 PLACES	± ---	± ---																					
2 PLACES	± 0.25	± ---																						
1 PLACE	± ---	± ---																						
ANGULAR ± 3°																								
		DRAWN BY: SHONG DATE: 2007/11/26	CHECKED BY: ANG DATE: 2007/12/10	TITLE: IMPACT POWER, 3 PAIR RIGHT ANGLE HEADER PRESS-FIT																				
		APPROVED BY: SHONG DATE: 2007/12/11	MOLEX INCORPORATED																					
		DRAFT WHERE APPLICABLE MUST REMAIN WITHIN DIMENSIONS	MATERIAL NO.: SEE TABLE	DOCUMENT NO.: SD-78211-002	SHEET NO.: 3 OF 3																			