

Excellent Integrated System Limited

Stocking Distributor

Click to view price, real time Inventory, Delivery & Lifecycle Information:

[Molex Connector Corporation](#)
[0782292001](#)

For any questions, you can email us directly:

sales@integrated-circuit.com

10 9 8 7 6 5 4 3 2 1

TABLE 1 : UNITIZED CONNECTOR WITH HOLD DOWN MODULE \triangle

PART NUMBER	NUMBER OF POWER MODULES	*DIM A*	PLATING OPTION	HOLD DOWN MODULE LOCATION
78229-100*	1X	10.90	TIN	LEFT (REFER TO SHEET 2 FOR DETAILS)
78229-10**	2X	18.30		
78229-200*	1X	10.90		RIGHT (REFER TO SHEET 3 FOR DETAILS)
78229-20**	2X	18.30		

PART NUMBER LEGEND: 78229-*0**

PLATING OPTION	HOLD DOWN MODULE LOCATION	*
TIN	LEFT	1
	RIGHT	2

*	POWER MODULE 2	
	P1	P2
0	MODULE NOT PRESENT	
1	8.27	8.27
2	8.27	9.77
3	6.77	9.77

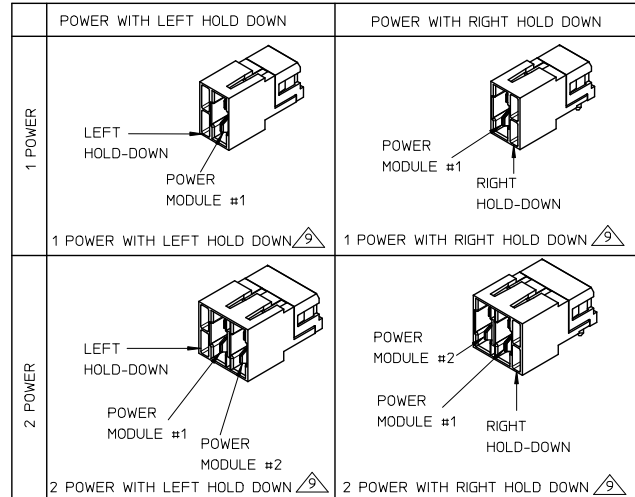
*	POWER MODULE 1	
	P1	P2
1	8.27	8.27
2	8.27	9.77
3	6.77	9.77

NOTES

- MATERIALS :
HOUSING - HIGH TEMP. THERMOPLASTIC, GLASS FILLED, UL94-V0,COLOR:BLACK.
POWER PIN - COPPER ALLOY
- FINISHES :
POWER CONTACTS
0.76 μ m MINIMUM GOLD AT CONTACT AREA AND
2.54 μ m MINIMUM TIN AT SOLDERTAIL AREA OVER
1.27 μ m MINIMUM NICKEL UNDERPLATE.
- PRODUCT SPECIFICATION: PS-78231-006.
COMPONENT STAY AWAY ZONE FROM CONNECTOR.
 \triangle PCB NOTE FOR PLATED HOLE.

TYPE OF PLATED HOLE	DRILLED HOLE SIZE	PLATING THICKNESS	PLATED HOLE SIZE *DIM H*
TIN/TIN-LEAD	0.838	0.007 MIN TIN/TIN-LEAD/SILVER	0.725+0.075
SILVER	0.863	OVER 0.03 TO 0.08 COPPER PLATING	0.750+0.050

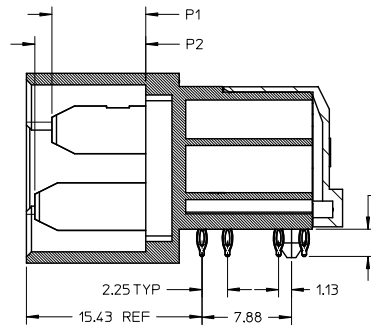
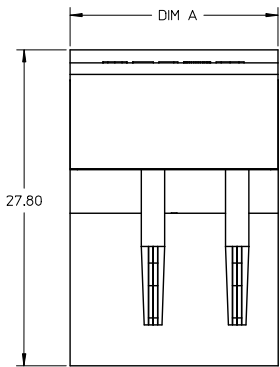
- MATES WITH 78227-1*** and 78230-****.
- PART NUMBER AND YEAR-DAY CODE CAN BE ON EITHER SIDE OF WALL.
- ADD 7.40mm FOR EACH ADDITIONAL MODULE.
- THE DETAILS FOR LEFT HOLD DOWN OPTION SHOWN ON SHEET 2 AND RIGHT HOLD DOWN OPTION SHOWN ON SHEET 3.
- CONNECTORS ARE PACKED IN A TRAY.
- MODULE LOCATION IS FROM NEXT TO HOLD DOWN MODULE WITH STARTING MODULE AS *#1*.
- BOTTOM AND TOP CIRCUITS ARE INDICATED AS *CKT A* AND *CKT B*.
- ALL PARTS ARE SHIPPED WITH A 2-32 TYPE AB SELF-TAPPING SCREW PART NUMBER 73726-0005.
- PACKAGING PROCEDURE AS PER PK-78229-001.



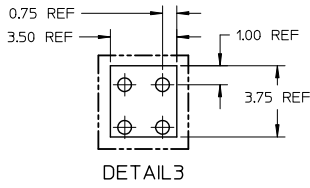
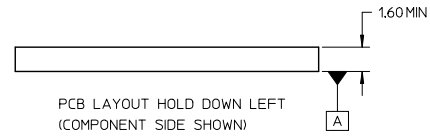
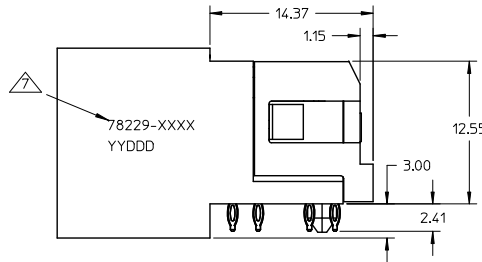
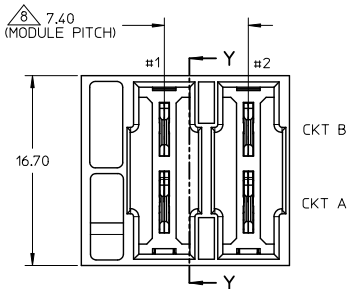
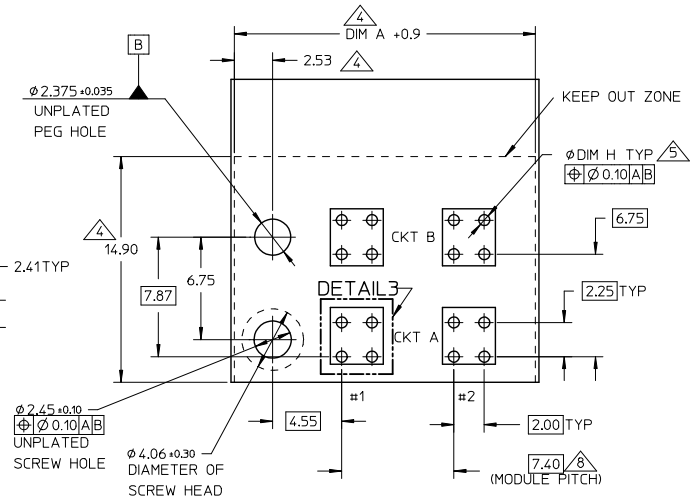
INITIAL RELEASE EC NO: S2012-0455 DRAWN: SHONG CHK: LING APPR: INAGESHKN 2011/12/07 2011/12/27 2012/01/17	QUALITY SYMBOLS	GENERAL TOLERANCES (UNLESS SPECIFIED)	DIMENSION STYLE	SCALE	DESIGN UNITS	THIRD ANGLE PROJECTION	
	$\nabla=0$	4 PLACES \pm --- \pm ---	MM ONLY	NTS	METRIC		
	$\nabla=0$	3 PLACES \pm --- \pm ---	DRAWN BY	DATE	TITLE	I-TRAC POWER .7 ROW HEADER WITH HOLD DOWN PRESS FIT, R/A	
		2 PLACES \pm 0.25 \pm ---	CHECKED BY	DATE		MOLEX INCORPORATED	
	1 PLACE \pm --- \pm ---	ANGULAR \pm 3°	APPROVED BY	DATE	MATERIAL NO.	DOCUMENT NO.	
	DRAFT WHERE APPLICABLE MUST REMAIN WITHIN DIMENSIONS		SIZE	THIS DRAWING CONTAINS INFORMATION THAT IS PROPRIETARY TO MOLEX INCORPORATED AND SHOULD NOT BE USED WITHOUT WRITTEN PERMISSION			
			A3	SD-78229-003			
				SHEET NO. 1 OF 3			

9 8 7 6 5 4 3 2 1

LEFT HOLD DOWN OPTION

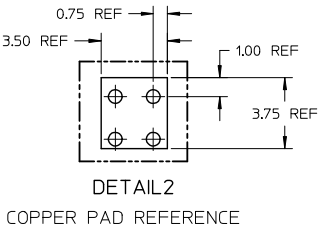
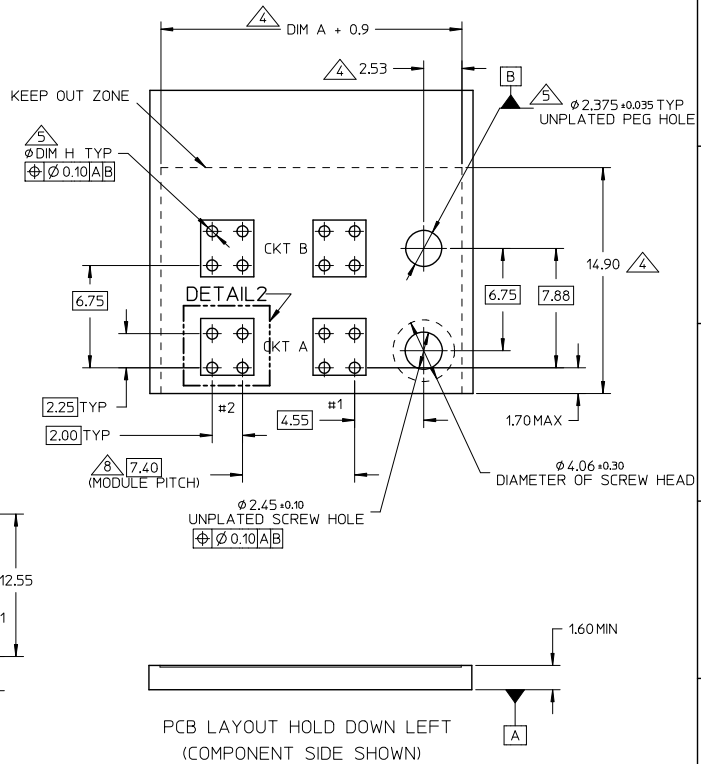
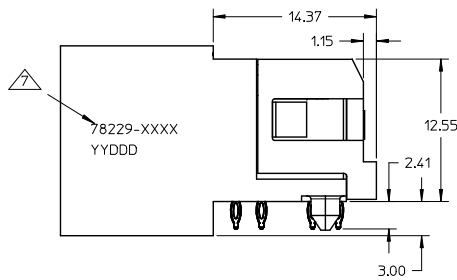
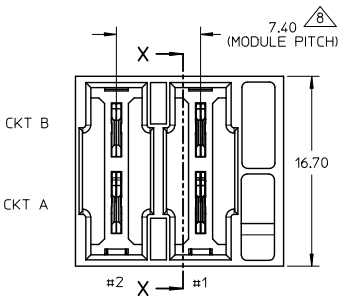
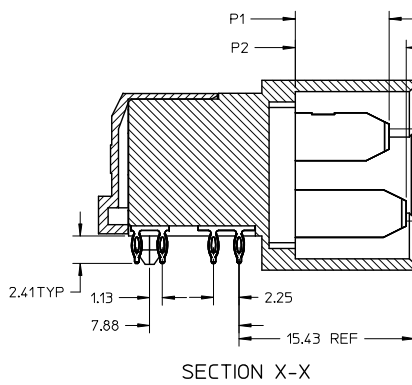
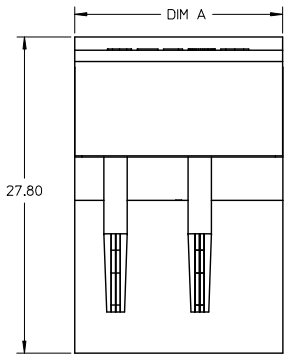


SECTION Y-Y



INITIAL RELEASE EC NO: S2012-0455 DRAWN: SHONG CHK: LING APPR: NAGESHKN 2011/12/07 2011/12/27 2012/01/17	QUALITY SYMBOLS ▽=0 ▽=0	GENERAL TOLERANCES (UNLESS SPECIFIED)		DIMENSION STYLE MM ONLY		SCALE NTS	DESIGN UNITS METRIC	THIRD ANGLE PROJECTION
		4 PLACES ± --- ± --- 3 PLACES ± --- ± --- 2 PLACES ± 0.25 ± --- 1 PLACE ± --- ± --- ANGULAR ± 3°	mm INCH ± --- ± --- ± --- ± --- ± --- ± --- ± --- ± ---	DRAWN BY KCHEW CHECKED BY LNG APPROVED BY SHONG MATERIAL NO. SEE TABLE	DATE 2011/11/04 DATE 2011/11/29	TITLE I-TRAC POWER .7 ROW HEADER WITH HOLD DOWN PRESS FIT, R/A MOLEX INCORPORATED SD-78229-003	SHEET NO. 2 OF 3	

RIGHT HOLD DOWN OPTION



INITIAL RELEASE EC NO: S2012-0455 DRAWN: SHONG CHK: LING APPR: INAGESHKN 2011/12/07 2011/12/27 2012/01/17	QUALITY SYMBOLS ▽=0 ▽=0	GENERAL TOLERANCES (UNLESS SPECIFIED)		DIMENSION STYLE MM ONLY	SCALE NTS	DESIGN UNITS METRIC	THIRD ANGLE PROJECTION	
		4 PLACES ± --- ± ---	3 PLACES ± --- ± ---	DRAWN BY KCHEW	DATE 2011/11/04	TITLE I-TRAC POWER .7 ROW HEADER WITH HOLD DOWN PRESS FIT, R/A		
		2 PLACES ± 0.25 ± ---	1 PLACE ± --- ± ---	CHECKED BY LNG	DATE 2011/11/29	MOLEX INCORPORATED		
		ANGULAR ± 3°		APPROVED BY SHONG		MATERIAL NO. SEE TABLE	DOCUMENT NO. SD-78229-003	SHEET NO. 3 OF 3
DRAFT WHERE APPLICABLE MUST REMAIN WITHIN DIMENSIONS				THIS DRAWING CONTAINS INFORMATION THAT IS PROPRIETARY TO MOLEX INCORPORATED AND SHOULD NOT BE USED WITHOUT WRITTEN PERMISSION				