

Excellent Integrated System Limited

Stocking Distributor

Click to view price, real time Inventory, Delivery & Lifecycle Information:

[Molex Connector Corporation](#)
[0782341003](#)

For any questions, you can email us directly:

sales@integrated-circuit.com

10 9 8 7 6 5 4 3 2 1

TABLE 1 : UNITIZED CONNECTOR WITH HOLD DOWN MODULE \triangle

PART NUMBER	NUMBER OF POWER MODULES	*DIM A*	PLATING OPTION	HOLD DOWN MODULE LOCATION
78234-100*	1X	10.90	TIN	LEFT (REFER TO SHEET 2 FOR DETAILS)
78234-10**	2X	18.30		RIGHT (REFER TO SHEET 3 FOR DETAILS)
78234-200*	1X	10.90		
78234-20**	2X	18.30		

PART NUMBER LEGEND: 78234-**0**

PLATING OPTION	HOLD DOWN MODULE LOCATION	*
TIN	LEFT	1
	RIGHT	2

*	POWER MODULE 2	
	P1	P2
0	MODULE NOT PRESENT	
1	8.27	8.27
2	8.27	9.77
3	6.77	9.77

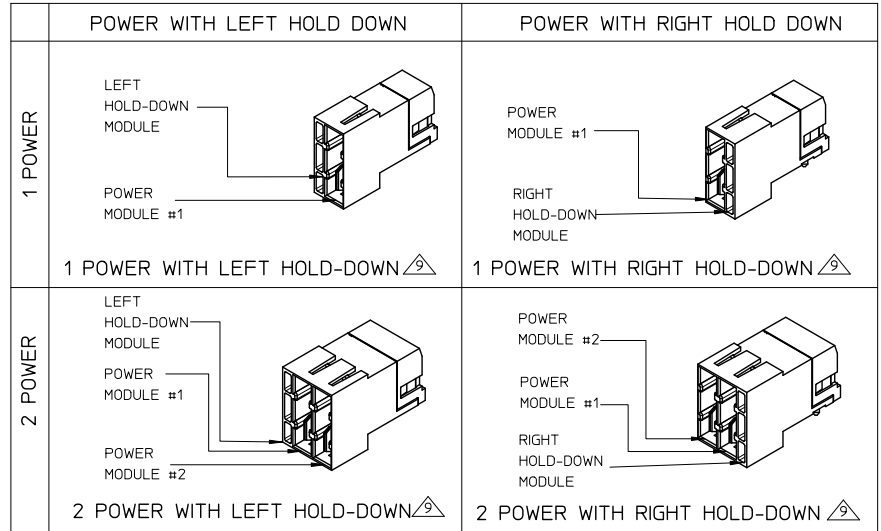
*	POWER MODULE 1	
	P1	P2
1	8.27	8.27
2	8.27	9.77
3	6.77	9.77

NOTES

- MATERIALS :
HOUSING - HIGH TEMP. THERMOPLASTIC, GLASS FILLED, UL94-V0,COLOR:BLACK.
POWER PIN - COPPER ALLOY
- FINISHES :
POWER CONTACTS
0.76 μ m MINIMUM GOLD AT CONTACT AREA AND
2.54 μ m MINIMUM TIN AT SOLDERTAIL AREA OVER
1.27 μ m MINIMUM NICKEL UNDERPLATE.
- PRODUCT SPECIFICATION: PS-78231-006.
 \triangle COMPONENT STAY AWAY ZONE FROM CONNECTOR.
 \triangle PCB NOTE FOR PLATED HOLE.

TYPE OF PLATED HOLE	DRILLED HOLE SIZE	PLATING THICKNESS	PLATED HOLE SIZE *DIM H*
TIN/TIN-LEAD	0.838	0.007 MIN TIN/TIN-LEAD/SILVER OVER 0.03 TO 0.08 COPPER PLATING	0.725 \pm 0.075
SILVER	0.863		0.750 \pm 0.050

- MATES WITH 78237-****.
- PART NUMBER AND YEAR-DAY CODE CAN BE ON EITHER SIDE OF WALL.
- ADD 7.40mm FOR EACH ADDITIONAL MODULE.
- THE DETAILS FOR LEFT HOLD DOWN OPTION SHOWN ON SHEET2 AND RIGHT HOLD DOWN OPTION SHOWN ON SHEET 3.
- CONNECTORS ARE PACKED IN A TRAY.
- MODULE LOCATION IS FROM NEXT TO HOLD DOWN MODULE WITH STARTING MODULE AS *#1*.
- BOTTOM AND TOP CIRCUITS ARE INDICATED AS *CKT A* AND *CKT B*.
- ALL PARTS ARE SHIPPED WITH A 2-32 TYPE AB SELF-TAPPING SCREW PART NUMBER 73726-0005.
- PACKAGING PROCEDURE AS PER PK-78234-001.

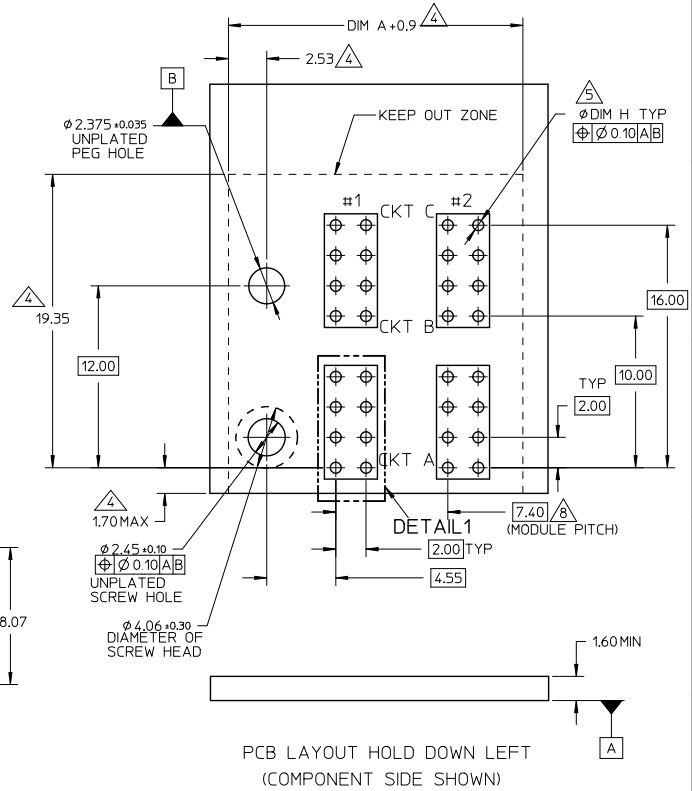
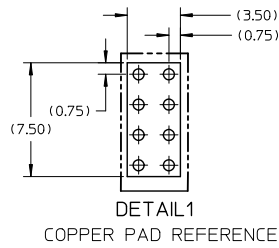
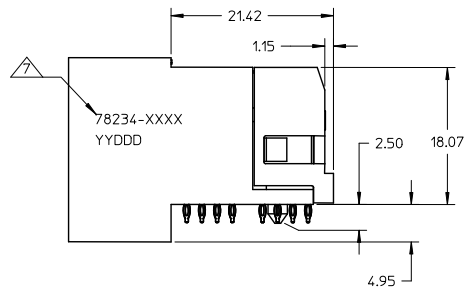
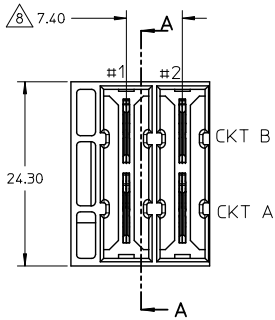
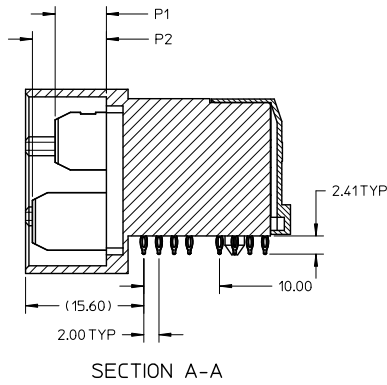
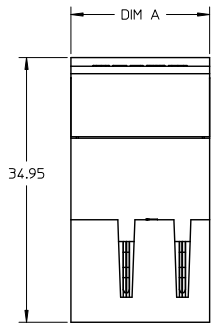


INITIAL RELEASE
EC NO: S2012-0368
DRAWN: SHONG 2011/11/10
CHK: LING 2011/11/17
APPR: NAGESHKN 2011/12/06

QUALITY SYMBOLS $\nabla=0$ $\nabla=0$	GENERAL TOLERANCES (UNLESS SPECIFIED)	DIMENSION STYLE MM ONLY	SCALE NTS	DESIGN UNITS METRIC	THIRD ANGLE PROJECTION																													
	<table border="1"> <thead> <tr> <th></th> <th>mm</th> <th>INCH</th> </tr> </thead> <tbody> <tr> <td>4 PLACES</td> <td>\pm---</td> <td>\pm---</td> </tr> <tr> <td>3 PLACES</td> <td>\pm---</td> <td>\pm---</td> </tr> <tr> <td>2 PLACES</td> <td>\pm0.25</td> <td>\pm---</td> </tr> <tr> <td>1 PLACE</td> <td>\pm---</td> <td>\pm---</td> </tr> </tbody> </table>		mm	INCH	4 PLACES	\pm ---	\pm ---	3 PLACES	\pm ---	\pm ---	2 PLACES	\pm 0.25	\pm ---	1 PLACE	\pm ---	\pm ---	<table border="1"> <thead> <tr> <th>DRAWN BY</th> <th>DATE</th> <th>TITLE</th> </tr> </thead> <tbody> <tr> <td>SHONG</td> <td>2011/11/10</td> <td rowspan="3">I-TRAC POWER, 11 ROW HEADER WITH HOLD DOWN PRESS FIT, R/A</td> </tr> <tr> <th>CHECKED BY</th> <th>DATE</th> </tr> <tr> <td>LNG</td> <td>2011/11/17</td> </tr> <tr> <th>APPROVED BY</th> <th>DATE</th> <td rowspan="2">MOLEX INCORPORATED</td> </tr> <tr> <td>NAGESHKN</td> <td>2011/12/06</td> </tr> </tbody> </table>	DRAWN BY	DATE	TITLE	SHONG	2011/11/10	I-TRAC POWER, 11 ROW HEADER WITH HOLD DOWN PRESS FIT, R/A	CHECKED BY	DATE	LNG	2011/11/17	APPROVED BY	DATE	MOLEX INCORPORATED	NAGESHKN	2011/12/06	MOLEX	DOCUMENT NO. SD-78234-003
	mm	INCH																																
4 PLACES	\pm ---	\pm ---																																
3 PLACES	\pm ---	\pm ---																																
2 PLACES	\pm 0.25	\pm ---																																
1 PLACE	\pm ---	\pm ---																																
DRAWN BY	DATE	TITLE																																
SHONG	2011/11/10	I-TRAC POWER, 11 ROW HEADER WITH HOLD DOWN PRESS FIT, R/A																																
CHECKED BY	DATE																																	
LNG	2011/11/17																																	
APPROVED BY	DATE	MOLEX INCORPORATED																																
NAGESHKN	2011/12/06																																	
DRAFT WHERE APPLICABLE MUST REMAIN WITHIN DIMENSIONS		SIZE A3	THIS DRAWING CONTAINS INFORMATION THAT IS PROPRIETARY TO MOLEX INCORPORATED AND SHOULD NOT BE USED WITHOUT WRITTEN PERMISSION																															

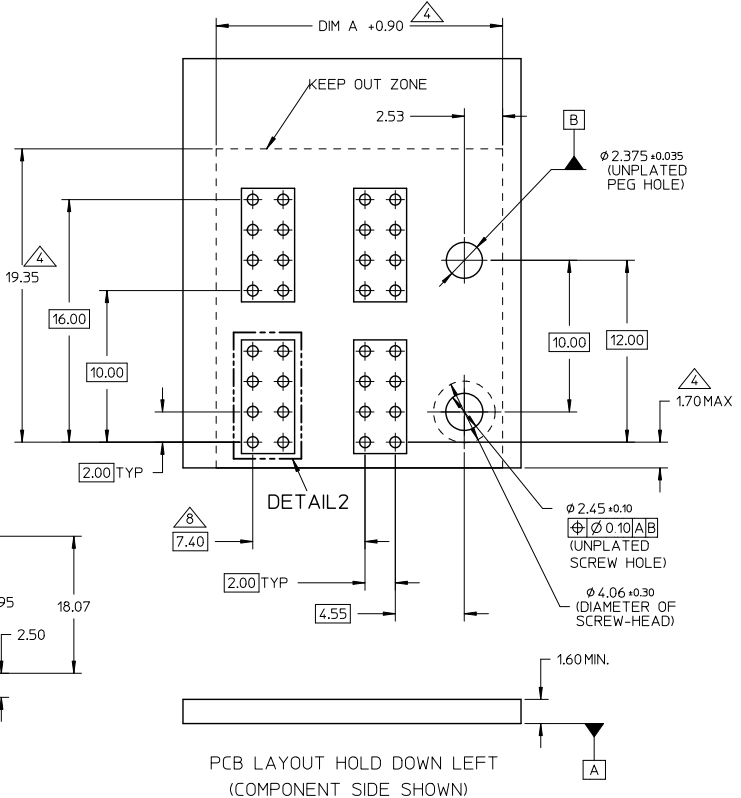
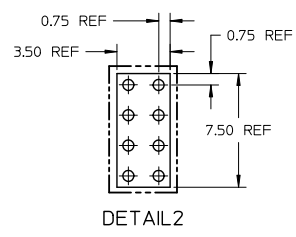
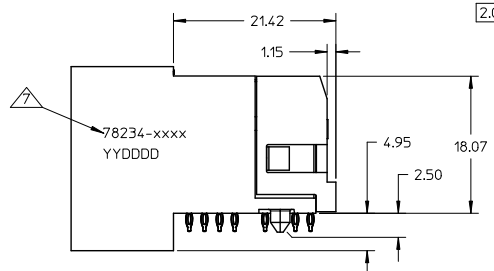
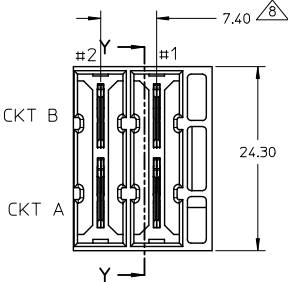
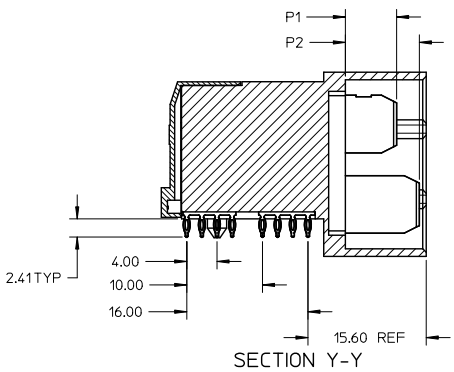
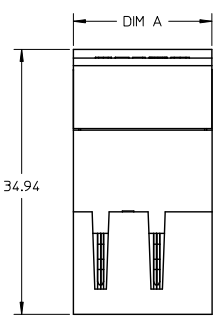
9 8 7 6 5 4 3 2 1

LEFT HOLD DOWN OPTION



INITIAL RELEASE EC NO: S2012-0368 DRAWN: SHONG CHKD: LING APPR: NAGESHKN 2011/11/10 2011/11/17 2011/12/06	QUALITY SYMBOLS ▽=0 ▽=0	GENERAL TOLERANCES (UNLESS SPECIFIED)		DIMENSION STYLE MM ONLY		SCALE NTS	DESIGN UNITS METRIC	THIRD ANGLE PROJECTION
		4 PLACES ± --- ± --- 3 PLACES ± --- ± --- 2 PLACES ± 0.25 ± --- 1 PLACE ± --- ± --- ANGULAR ± 3°	mm INCH ± --- ± --- ± --- ± --- ± --- ± --- ± --- ± ---	DRAWN BY SHONG	DATE 2011/11/10	TITLE I-TRAC POWER, 11 ROW HEADER WITH HOLD DOWN PRESS FIT, R/A	MOLEX INCORPORATED	
DRAFT WHERE APPLICABLE MUST REMAIN WITHIN DIMENSIONS	SEE TABLE	MATERIAL NO. SD-78234-003	DOCUMENT NO.	SHEET NO. 2 OF 3				

RIGHT HOLD DOWN OPTION



INITIAL RELEASE EC NO: S2012-0368 DRAWN: SHONG CHKD: LING APPR: NAGESHKN 2011/11/10 2011/11/17 2011/12/06	QUALITY SYMBOLS ▽=0 ▽=0	GENERAL TOLERANCES (UNLESS SPECIFIED)		DIMENSION STYLE MM ONLY		SCALE NTS	DESIGN UNITS METRIC	THIRD ANGLE PROJECTION
		4 PLACES ± --- ± --- 3 PLACES ± --- ± --- 2 PLACES ± 0.25 ± --- 1 PLACE ± --- ± --- ANGULAR ± 3°	mm INCH ± --- ± --- ± --- ± --- ± --- ± ---	DRAWN BY SHONG	DATE 2011/11/10	TITLE I-TRAC POWER, 11 ROW HEADER WITH HOLD DOWN PRESS FIT, R/A	MOLEX INCORPORATED	
DRAFT WHERE APPLICABLE MUST REMAIN WITHIN DIMENSIONS	SEE TABLE	MATERIAL NO. SD-78234-003	DOCUMENT NO.	SHEET NO. 3 OF 3	THIS DRAWING CONTAINS INFORMATION THAT IS PROPRIETARY TO MOLEX INCORPORATED AND SHOULD NOT BE USED WITHOUT WRITTEN PERMISSION			