

Excellent Integrated System Limited

Stocking Distributor

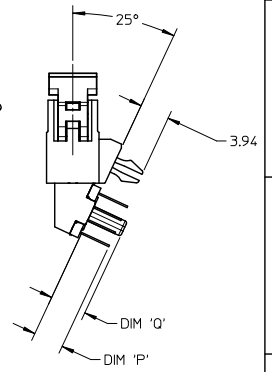
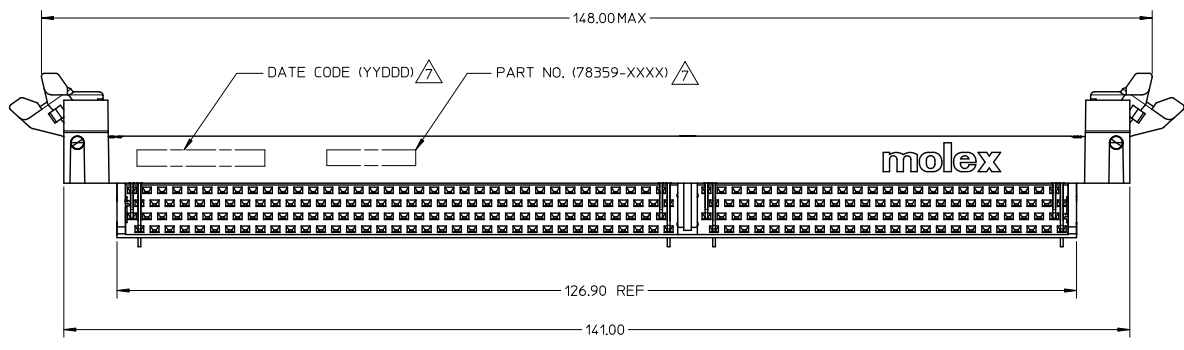
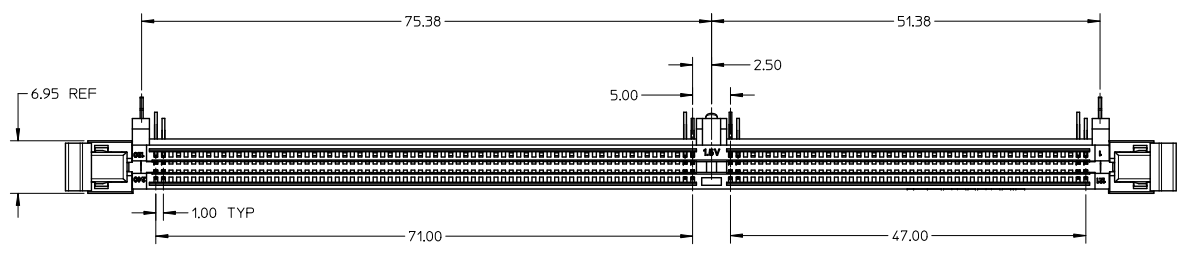
Click to view price, real time Inventory, Delivery & Lifecycle Information:

[Molex Connector Corporation](#)
[0783590111](#)

For any questions, you can email us directly:

sales@integrated-circuit.com

10 9 8 7 6 5 4 3 2 1



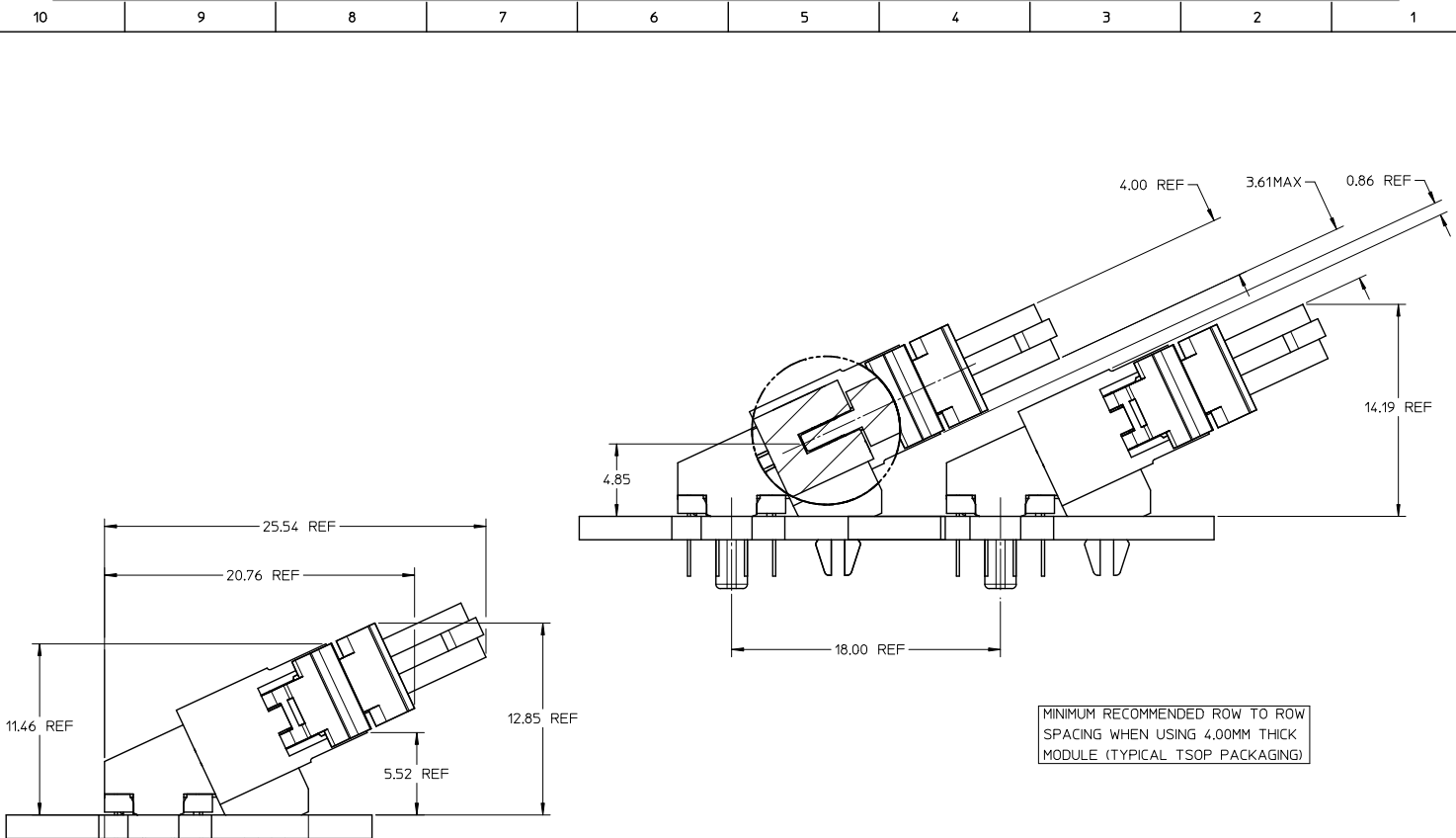
NOTES:

- MATERIALS:
HOUSING & BASEPLATE - LCP, GLASS-FILLED, UL94V-0, BLACK
LATCH - NYLON, GLASS-FILLED, UL94V-0, BLACK
TERMINALS & FORKLOCK - COPPER ALLOY
- PLATING : CONTACT AREA - SEE TABLE IN SHEET 5
SOLDERTAIL - SEE TABLE IN SHEET 5
- CARD SLOT ACCEPTS 1.27±0.10MM MODULE THICKNESS (MEASURE OVER PC PAD)
- REFER TO PRODUCT SPECIFICATION PS-78359-001 FOR PERFORMANCE SPECIFICATION
- RECOMMENDED MODULE CARD LAYOUT SHELL BE AS PER JEDEC MO-269
- PRODUCT SHALL BE PACKED IN TRAY
- MOLEX LOGO , DATE CODE PART NUMBER INDICATED ON HOUSING

THIS DESIGN IS BASED ON DESIGN OBJECTIVES AND IS STRICTLY TENTATIVE. IT MAY CHANGE BASED ON RESULTS OF ADDITIONAL DESIGN REVIEWS & VERIFICATIONS.

ADDED CORING EC NO: S2011-0442 DRAWN/CCTEH CHKD:CGTAN APPR:SHLENI 2011/01/20 2011/01/26 2011/01/28	QUALITY SYMBOLS ∇=0 ∇=0 ∇=0	GENERAL TOLERANCES (UNLESS SPECIFIED) 4 PLACES ± --- ± --- 3 PLACES ± --- ± --- 2 PLACES ± 0.25 ± --- 1 PLACE ± --- ± --- ANGULAR ± 3 °	DIMENSION STYLE MM ONLY		SCALE	DESIGN UNITS	THIRD ANGLE PROJECTION
			DRAWN BY CCTEH CHECKED BY CGTAN APPROVED BY SHLENI	DATE 2007/11/27 DATE 2008/04/22 DATE 2008/04/22	TITLE	METRIC	
DRAFT WHERE APPLICABLE MUST REMAIN WITHIN DIMENSIONS			SEE TABLE		MOLEX INCORPORATED		SHEET NO. 1 OF 5
MATERIAL NO.			DOCUMENT NO.		SD-78359-001		THIS DRAWING CONTAINS INFORMATION THAT IS PROPRIETARY TO MOLEX INCORPORATED AND SHOULD NOT BE USED WITHOUT WRITTEN PERMISSION

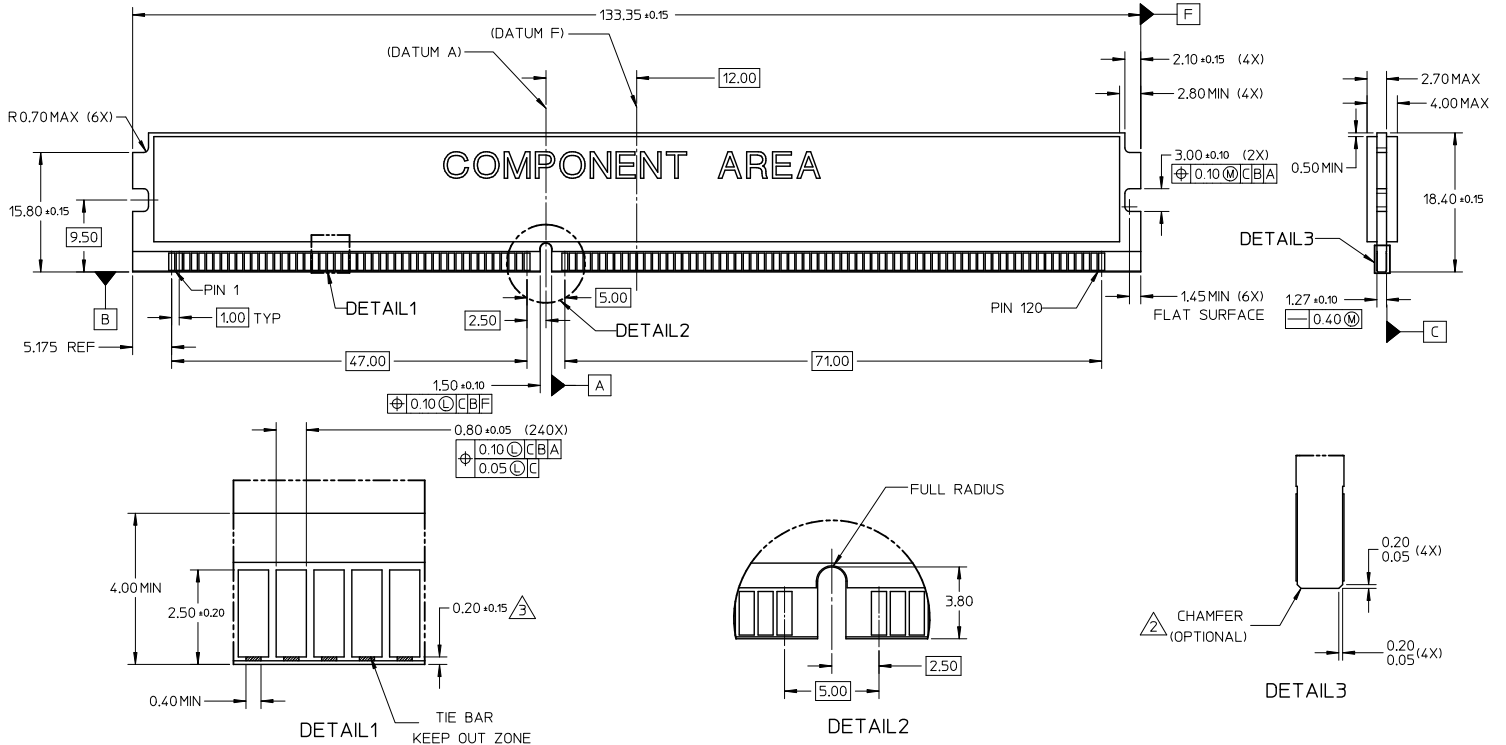
9 8 7 6 5 4 3 2 1



ADDED CORING EC NO: S2011-0442 2011/01/20 DRAWN/CCTEH 2011/01/26 CHKD/CGTAN 2011/01/26 APPR/SHLENI	QUALITY SYMBOLS ∇=0 ∇=0 ∇=0	GENERAL TOLERANCES (UNLESS SPECIFIED) 4 PLACES ± --- ± --- 3 PLACES ± --- ± --- 2 PLACES ± 0.25 ± --- 1 PLACE ± --- ± --- ANGULAR ± 3°	DIMENSION STYLE MM ONLY	SCALE NTS	DESIGN UNITS METRIC	THIRD ANGLE PROJECTION
	DRAFT WHERE APPLICABLE MUST REMAIN WITHIN DIMENSIONS	DRAWN BY: CCTEH CHECKED BY: CGTAN APPROVED BY: SHLENI DATE: 2007/11/27 DATE: 2008/04/22 DATE: 2008/04/22	TITLE DDR3 DIMM, 1.00MM PITCH 240 CKTS, 25 DEG T/H, VLP	MATERIAL NO. SEE TABLE	MOLEX INCORPORATED	DOCUMENT NO. SD-78359-001

10 9 8 7 6 5 4 3 2 1

MODULE CARD
DDR3 DUAL INLINE MEMORY MODULE FAMILY 1.00 CONTACT CENTERS

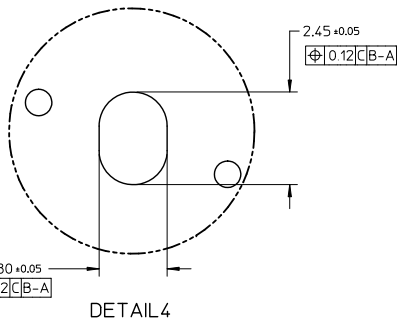
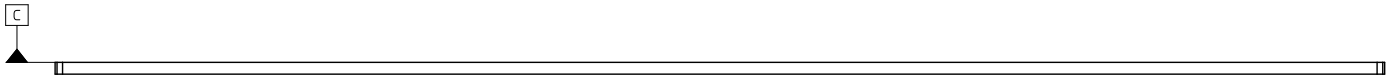
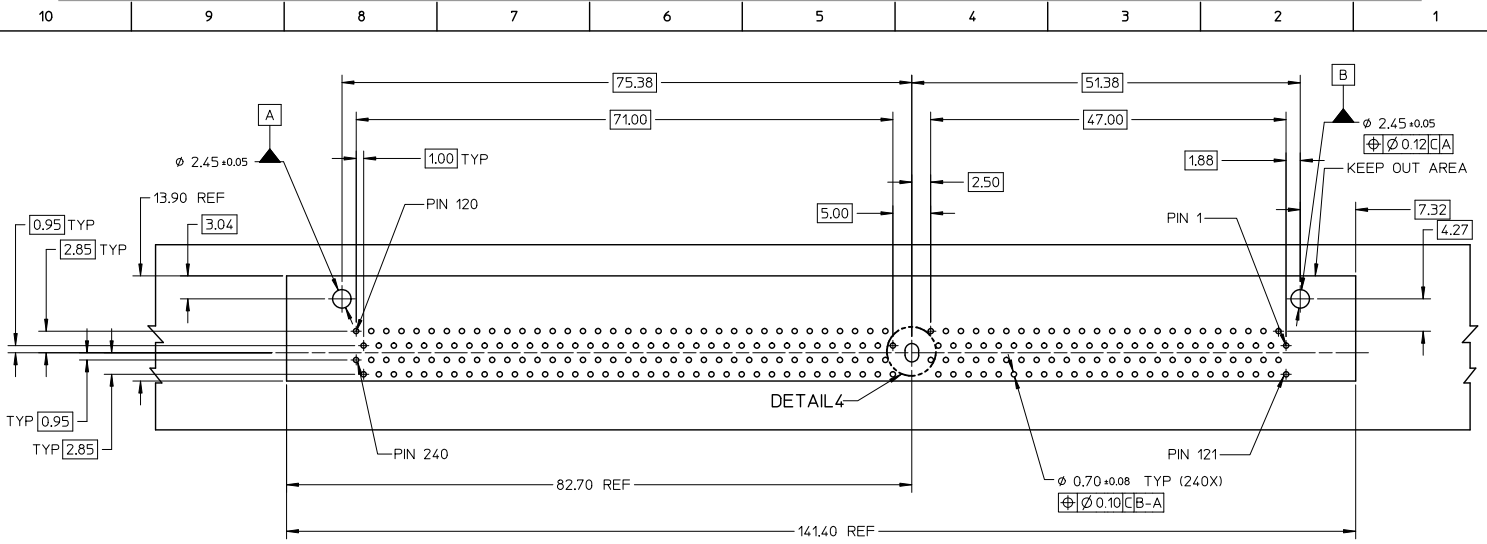


NOTES:

- RECOMMENDED PLATING FOR CONTACT PADS:
 PREFERRED: 0.76 μM GOLD PLATING MIN OVER 2.00 μM NICKEL
 ALTERNATIVE: 0.05-0.75 μM GOLD PLATING OVER 2.00 μM NICKEL MUST USE AN ELECTRONIC CONTACT GRADE CORROSIVE BARRIER LUBRICANT
- CHAMFER IS OPTIONAL AND IS NOT TO HIT THE GOLD PADS
- LEADING EDGE OF GOLD PADS SPECIFIED BY KEEP OUT ZONE SHALL BE FREE OF BURRS AND EXTERNAL TIE BARS

ADD'D CORING EC NO. S2011-0442 2011/01/20 DRW: CCTEH 2011/01/26 CHKD: CGTAN 2011/01/26 APPR: SHLENI 2011/01/26 REV 2	QUALITY SYMBOLS ∇=0 ∇=0 ∇=0	GENERAL TOLERANCES (UNLESS SPECIFIED)		DIMENSION STYLE MM ONLY		SCALE NTS	DESIGN UNITS METRIC	THIRD ANGLE PROJECTION
		4 PLACES ± --- ± --- 3 PLACES ± --- ± --- 2 PLACES ± 0.25 ± --- 1 PLACE ± --- ± --- ANGULAR ± 3 °	mm INCH --- --- --- --- --- --- --- ---	DRAWN BY CCTEH	DATE 2007/11/27	CHECKED BY CGTAN	DATE 2008/04/22	TITLE DDR3 DIMM, 1.00MM PITCH 240 CKTS, 25 DEG T/H, VLP
DRAFT WHERE APPLICABLE MUST REMAIN WITHIN DIMENSIONS		MATERIAL NO. SEE TABLE		APPROVED BY SHLENI		DATE 2008/04/22	DOCUMENT NO. SD-78359-001	THIS DRAWING CONTAINS INFORMATION THAT IS PROPRIETARY TO MOLEX INCORPORATED AND SHOULD NOT BE USED WITHOUT WRITTEN PERMISSION

9 8 7 6 5 4 3 2 1



ADDED CORING EC NO: S2011-0442 DRAWN/CCTEH CHKD:CGTAN APPR: SHLENI	2	DESCRIPTION REV	QUALITY SYMBOLS √=0 √=0 √=0	GENERAL TOLERANCES (UNLESS SPECIFIED)		DIMENSION STYLE MM ONLY		SCALE NTS	DESIGN UNITS METRIC	THIRD ANGLE PROJECTION
				mm	INCH	DRAWN BY CCTEH	DATE 2007/11/27	TITLE DDR3 DIMM, 1.00MM PITCH 240 CKTS, 25 DEG T/H, VLP		
DRAFT WHERE APPLICABLE MUST REMAIN WITHIN DIMENSIONS				4 PLACES ± --- ± --- 3 PLACES ± --- ± --- 2 PLACES ± 0.25 ± --- 1 PLACE ± --- ± ---		APPROVED BY SHLENI		DATE 2008/04/22	MATERIAL NO. SEE TABLE	
				ANGULAR ± 3°		DATE 2008/04/22		DOCUMENT NO. SD-78359-001		SHEET NO. 4 OF 5

10 9 8 7 6 5 4 3 2 1

PART NO.	VOLTAGE KEY	DIM 'P'	DIM 'Q'	RECOMMENDED PCB THICKNESS	PLATING OPTION
78359-0001	CENTER (1.5V)	2.79	3.18	1.57	0.76µM / 30 Mmch MIN GOLD ON CONTACT 2.54µM / 100 Mmch MIN PURE TIN ON SOLDER TAILS 1.27µM / 50 Mmch MIN NICKEL UNDERPLATE
78359-0011		3.18	4.83	2.36	
78359-0111		4.00		2.59	

ADDED CORING EC NO: S2011-0442 DRAWN/CCTEH CHKD:CGTAN APPR:SHLENI	2011/01/20	2011/01/26	2011/01/26	QUALITY SYMBOLS ∇=0 ∇=0 ∇=0	GENERAL TOLERANCES (UNLESS SPECIFIED) 4 PLACES ± --- ± --- 3 PLACES ± --- ± --- 2 PLACES ± 0.25 ± --- 1 PLACE ± --- ± --- ANGULAR ± 3°	DIMENSION STYLE MM ONLY	SCALE NTS	DESIGN UNITS METRIC	THIRD ANGLE PROJECTION
	2011/01/20	2011/01/26	2011/01/26						
	2011/01/20	2011/01/26	2011/01/26						
	2011/01/20	2011/01/26	2011/01/26						
DRAFT WHERE APPLICABLE MUST REMAIN WITHIN DIMENSIONS					MATERIAL NO. SEE TABLE		DOCUMENT NO. SD-78359-001		SHEET NO. 5 OF 5

9 8 7 6 5 4 3 2 1