



Distributor of Molex Connector Corporation: Excellent Integrated System Limited
Datasheet of 0791077220 - Connector Receptacle 42 Position 0.079" (2.00mm) Gold Through Hole

Contact us: sales@integrated-circuit.com Website: www.integrated-circuit.com

Excellent Integrated System Limited

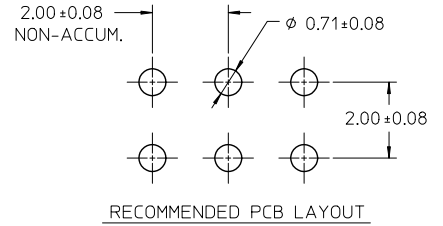
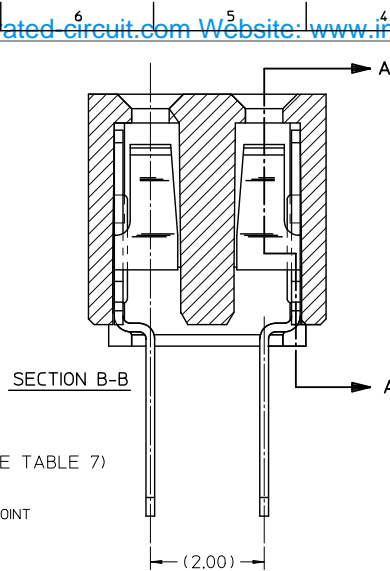
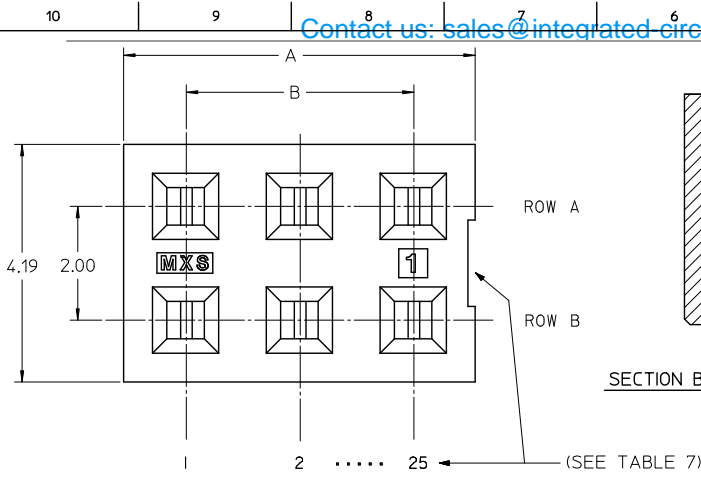
Stocking Distributor

Click to view price, real time Inventory, Delivery & Lifecycle Information:

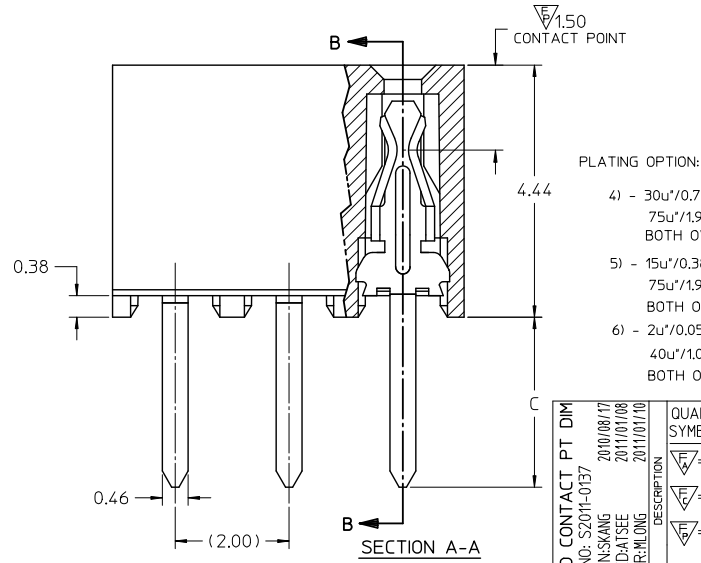
[Molex Connector Corporation](#)
[0791077220](#)

For any questions, you can email us directly:
sales@integrated-circuit.com

Contact us: sales@integrated-circuit.com Website: www.integrated-circuit.com

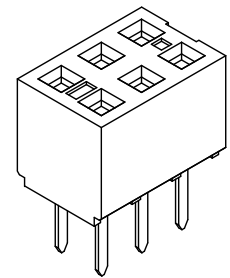


- NOTES:
- 1) HOUSING MATERIAL: GLASS FILLED HIGH TEMP THERMOPLASTIC, COLOR: BLACK
 - 2) TERMINAL MATERIAL: PHOSPHOR BRONZE
 - 3) SEE SHT 2 FOR CKT SIZE, PART NUMBERS AND OVERALL DIMENSIONS, SEE SHT 3 FOR VOIDS.
 - 4) FOR ILLUSTRATION, 6 CKT ASSY SHOWN.
 - 5) REFER TO PRODUCT SPEC PS-79107
 - 6) PACKAGING PER PK-70873-0180
 - 7) CKTS NUMBERED FROM LEFT TO RIGHT WHEN PART IS VIEWED FROM TOP WITH RECESS ON THE RIGHT AS SHOWN.
 - 8) SOLDER TAIL TO BE MEASURED BY PITCH GAUGE.



PLATING OPTION:

- 4) - 30u"/0.76um MIN GOLD PLATE IN SELECTED AREA
75u"/1.90um MIN TIN PLATE IN SELECTED AREA
BOTH OVER 50u"/1.25um MIN NICKEL OVERALL
- 5) - 15u"/0.38um MIN GOLD PLATE IN SELECTED AREA
75u"/1.90um MIN TIN PLATE IN SELECTED AREA
BOTH OVER 50u"/1.25um MIN NICKEL OVERALL
- 6) - 2u"/0.05um MIN GOLD PLATE IN SELECTED AREA
40u"/1.02um MIN TIN PLATE IN SELECTED AREA
BOTH OVER 40u"/1.02um MIN NICKEL OVERALL



| | | | | | | | | |
|---|--------------------------------------|---------------------------------------|--|--|--|--|--------------|------------------------|
| ADD CONTACT PT DIM EC NO: S2011-0137 DRW:SKANG CHK:ATSEE APPR:MLONG 2010/08/17 2011/01/08 2011/07/10 | QUALITY SYMBOLS √=0 √=0 √=1 | GENERAL TOLERANCES (UNLESS SPECIFIED) | | DIMENSION STYLE | | SCALE | DESIGN UNITS | THIRD ANGLE PROJECTION |
| | | | | MM ONLY | | NTS | METRIC | |
| | | | | DRAWN BY DATE | | TITLE | | |
| | | | | CHECKED BY DATE | | MATERIAL NO. | | |
| | | APPROVED BY DATE | | DOCUMENT NO. | | SHEET NO. | | |
| DRAFT WHERE APPLICABLE MUST REMAIN WITHIN DIMENSIONS | | SEE TABLE | | THIS DRAWING CONTAINS INFORMATION THAT IS PROPRIETARY TO MOLEX INCORPORATED AND SHOULD NOT BE USED WITHOUT WRITTEN PERMISSION | | MOLEX INCORPORATED SDA-79107-**** 1 OF 3 | | |

Contact us: sales@integrated-circuit.com Website: www.integrated-circuit.com

| CKT SIZE | DIM 'A' | DIM 'B' | P.C.TAIL DIMENSION 'C' = 3.00 | | | P.C.TAIL DIMENSION 'C' = 1.91 | | | | |
|----------|---------|---------|-------------------------------|------------------|------------------|-------------------------------|------------------|------------------|---|------------|
| | | | PLATING OPTION 5 | PLATING OPTION 4 | PLATING OPTION 6 | PLATING OPTION 5 | PLATING OPTION 4 | PLATING OPTION 6 | | |
| | | | ITEM NO. | ITEM NO. | ITEM NO. | ITEM NO. | ITEM NO. | ITEM NO. | | |
| 04 | (4.19) | (2.00) | 79107-7001 | 79107-7051 | X | 79107-7126 | 79107-7201 | 79107-7251 | X | 79107-7326 |
| 06 | (6.19) | (4.00) | 79107-7002 | 79107-7052 | X | 79107-7127 | 79107-7202 | 79107-7252 | X | 79107-7327 |
| 08 | (8.19) | (6.00) | 79107-7003 | 79107-7053 | X | 79107-7128 | 79107-7203 | 79107-7253 | X | 79107-7328 |
| 10 | (10.19) | (8.00) | 79107-7004 | 79107-7054 | X | 79107-7129 | 79107-7204 | 79107-7254 | X | 79107-7329 |
| 12 | (12.19) | (10.00) | 79107-7005 | 79107-7055 | X | 79107-7130 | 79107-7205 | 79107-7255 | X | 79107-7330 |
| 14 | (14.19) | (12.00) | 79107-7006 | 79107-7056 | X | 79107-7131 | 79107-7206 | 79107-7256 | X | 79107-7331 |
| 16 | (16.19) | (14.00) | 79107-7007 | 79107-7057 | X | 79107-7132 | 79107-7207 | 79107-7257 | X | 79107-7332 |
| 18 | (18.19) | (16.00) | 79107-7008 | 79107-7058 | X | 79107-7133 | 79107-7208 | 79107-7258 | X | 79107-7333 |
| 20 | (20.19) | (18.00) | 79107-7009 | 79107-7059 | X | 79107-7134 | 79107-7209 | 79107-7259 | X | 79107-7334 |
| 22 | (22.19) | (20.00) | 79107-7010 | 79107-7060 | X | 79107-7135 | 79107-7210 | 79107-7260 | X | 79107-7335 |
| 24 | (24.19) | (22.00) | 79107-7011 | 79107-7061 | X | 79107-7136 | 79107-7211 | 79107-7261 | X | 79107-7336 |
| 26 | (26.19) | (24.00) | 79107-7012 | 79107-7062 | X | 79107-7137 | 79107-7212 | 79107-7262 | X | 79107-7337 |
| 28 | (28.19) | (26.00) | 79107-7013 | 79107-7063 | X | 79107-7138 | 79107-7213 | 79107-7263 | X | 79107-7338 |
| 30 | (30.19) | (28.00) | 79107-7014 | 79107-7064 | X | 79107-7139 | 79107-7214 | 79107-7264 | X | 79107-7339 |
| 32 | (32.19) | (30.00) | 79107-7015 | 79107-7065 | X | 79107-7140 | 79107-7215 | 79107-7265 | X | 79107-7340 |
| 34 | (34.19) | (32.00) | 79107-7016 | 79107-7066 | X | 79107-7141 | 79107-7216 | 79107-7266 | X | 79107-7341 |
| 36 | (36.19) | (34.00) | 79107-7017 | 79107-7067 | X | 79107-7142 | 79107-7217 | 79107-7267 | X | 79107-7342 |
| 38 | (38.19) | (36.00) | 79107-7018 | 79107-7068 | X | 79107-7143 | 79107-7218 | 79107-7268 | X | 79107-7343 |
| 40 | (40.19) | (38.00) | 79107-7019 | 79107-7069 | X | 79107-7144 | 79107-7219 | 79107-7269 | X | 79107-7344 |
| 42 | (42.19) | (40.00) | 79107-7020 | 79107-7070 | X | 79107-7145 | 79107-7220 | 79107-7270 | X | 79107-7345 |
| 44 | (44.19) | (42.00) | 79107-7021 | 79107-7071 | X | 79107-7146 | 79107-7221 | 79107-7271 | X | 79107-7346 |
| 46 | (46.19) | (44.00) | 79107-7022 | 79107-7072 | X | 79107-7147 | 79107-7222 | 79107-7272 | X | 79107-7347 |
| 48 | (48.19) | (46.00) | 79107-7023 | 79107-7073 | X | 79107-7148 | 79107-7223 | 79107-7273 | X | 79107-7348 |
| 50 | (50.19) | (48.00) | 79107-7024 | 79107-7074 | X | 79107-7149 | 79107-7224 | 79107-7274 | X | 79107-7349 |

"X" - DENOTES THE ITEM IS NOT AVAILABLE CURRENTLY.

| | | | | | | | | | |
|--|---------------------|---------------------------------------|--|--|--|--------------------------------------|--------------|---|--|
| ADD CONTACT PT DIM EC NO: SZ011-0137 DRW:SKANG CHKD:ATSEE APPR:RLONG 2010/08/17 2011/01/08 2011/07/10 | QUALITY SYMBOLS | GENERAL TOLERANCES (UNLESS SPECIFIED) | | DIMENSION STYLE MM ONLY | | SCALE | DESIGN UNITS | THIRD ANGLE PROJECTION | |
| | | | | | | NTS | METRIC | | |
| | | | | | | TITLE | | | |
| | | | | | | 2MM DUAL ROW VERTICAL RECEPTACLE T/H | | | |
| | | | | DRAWN BY DATE | | APPROVED BY DATE | | MOLEX INCORPORATED | |
| | | | | AAB 1989/05/15 | | MJM 1989/05/15 | | | |
| | | | | CHECKED BY DATE | | APPROVED BY DATE | | MATERIAL NO. SDA-79107-**** DOCUMENT NO. SDA-79107-**** | |
| | | | | MJM 1989/05/15 | | WAZ 1989/05/15 | | | |
| | | | | APPROVED BY DATE | | APPROVED BY DATE | | SHEET NO. 2 OF 3 | |
| | | | | WAZ 1989/05/15 | | WAZ 1989/05/15 | | | |
| | | | | DRAFT WHERE APPLICABLE MUST REMAIN WITHIN DIMENSIONS | | SEE TABLE | | THIS DRAWING CONTAINS INFORMATION THAT IS PROPRIETARY TO MOLEX INCORPORATED AND SHOULD NOT BE USED WITHOUT WRITTEN PERMISSION | |
| | | | | | | | | | |

Contact us: sales@integrated-circuit.com Website: www.integrated-circuit.com

MOLDED VOID OPTION
 ASSEMBLIES WITHOUT PEGS

| CKT. SIZE | ASSEMBLY | | VOID LOCATION(S) SEE SHEET 1 FOR CONVENTION | | PLATING OPTION | DIM. "A" | DIM. "B" | P.C. TAIL DIM. "C" |
|-----------|------------|-------|--|--|----------------|----------|----------|--------------------|
| | ITEM NO. | ROW | CKT. NO.(s) | | | | | |
| 24 | 79107-5101 | ROW B | 6 | | 5 | (24.19) | (22.00) | (3.00) |
| 10 | 79107-5102 | ROW A | 5 | | 5 | (10.19) | (8.00) | (3.00) |
| 26 | 79107-5103 | ROW B | 5 | | 5 | (26.19) | (24.00) | (3.00) |
| 20 | 79107-5104 | ROW A | 7 | | 5 | (20.19) | (18.00) | (1.91) |
| 24 | 79107-5105 | ROW B | 10 | | 5 | (24.19) | (22.00) | (1.91) |
| 20 | 79107-5106 | ROW A | 7 | | 5 | (20.19) | (18.00) | (3.00) |
| 24 | 79107-5107 | ROW B | 10 | | 5 | (24.19) | (22.00) | (3.00) |

X - DENOTES THE ITEM IS NOT AVAILABLE CURRENTLY.

NOTES

1. TERMINALS WILL BE PRESENT IN VOIDED LOCATIONS HOWEVER, PIN WINDOWS WILL BE CLOSED.
2. VOIDS CANNOT BE PRESENT IN BOTH ROWS ON A CONNECTOR.

| | | | | | | | |
|---|--|---|--|---|------------------------|------------------------|--|
| ADD CONTACT PT DIM EC NO: S2011-0137 DRWNSKANG 2010/08/17 CHKCAT SEE 2011/01/08 APPR:MLONG 2011/01/10 H2 | QUALITY SYMBOLS | GENERAL TOLERANCES (UNLESS SPECIFIED) | DIMENSION STYLE MM ONLY | SCALE NTS | DESIGN UNITS METRIC | THIRD ANGLE PROJECTION | |
| | $\nabla=0$ $\nabla=0$ $\nabla=0$ | 4 PLACES ± --- ± --- 3 PLACES ± --- ± --- 2 PLACES ± 0.25 ± --- 1 PLACE ± --- ± --- ANGULAR ±1/2° | DRAWN BY DATE AAB 1989/05/15 CHECKED BY DATE MJM 1989/05/15 APPROVED BY DATE WAZ 1989/05/15 | TITLE | | | |
| | | DRAFT WHERE APPLICABLE MUST REMAIN WITHIN DIMENSIONS | MATERIAL NO. SEE TABLE | MOLEX INCORPORATED DOCUMENT NO. SDA-79107-**** | | SHEET NO. 3 OF 3 | |
| | | | SIZE A3 | THIS DRAWING CONTAINS INFORMATION THAT IS PROPRIETARY TO MOLEX INCORPORATED AND SHOULD NOT BE USED WITHOUT WRITTEN PERMISSION | | | |