



Distributor of Molex Connector Corporation: Excellent Integrated System Limited
Datasheet of 0791077221 - Connector Receptacle 44 Position 0.079" (2.00mm) Gold Through Hole

Contact us: sales@integrated-circuit.com Website: www.integrated-circuit.com

Excellent Integrated System Limited

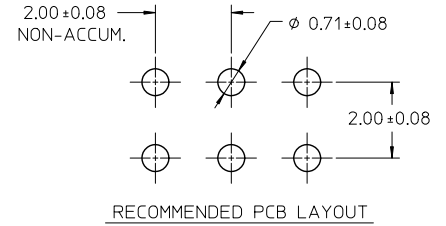
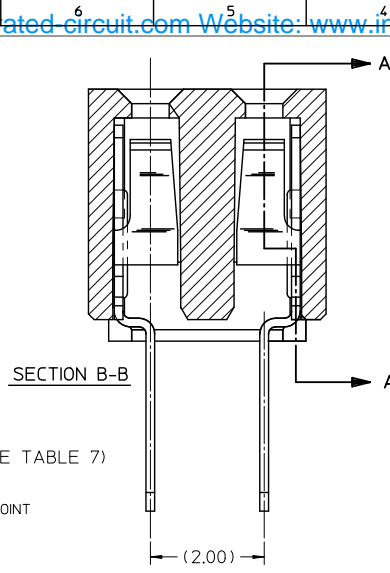
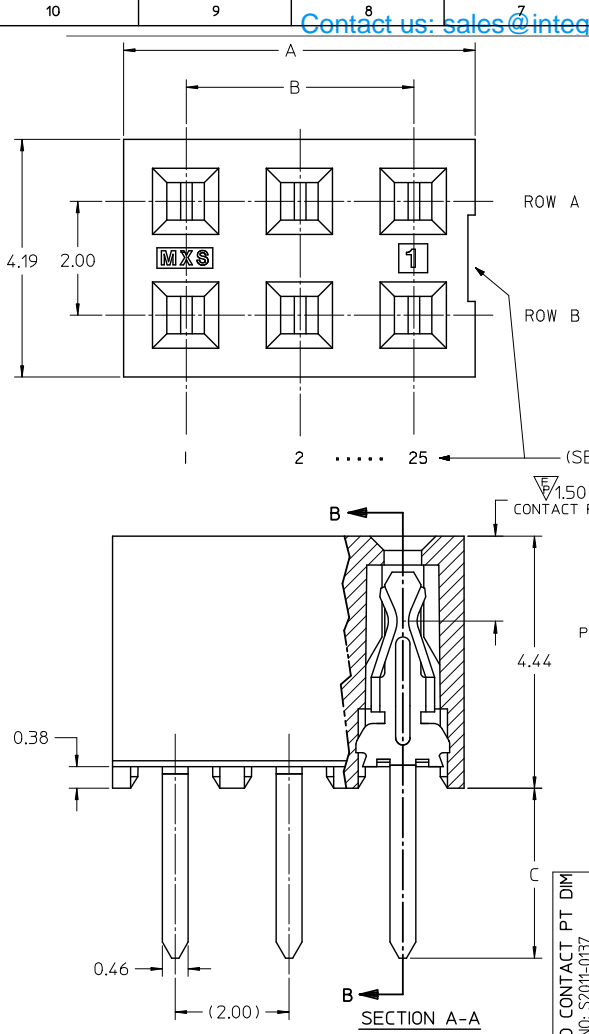
Stocking Distributor

Click to view price, real time Inventory, Delivery & Lifecycle Information:

[Molex Connector Corporation](#)
[0791077221](#)

For any questions, you can email us directly:
sales@integrated-circuit.com

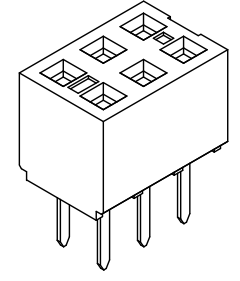
Contact us: sales@integrated-circuit.com Website: www.integrated-circuit.com



- NOTES:
- 1) HOUSING MATERIAL: GLASS FILLED HIGH TEMP THERMOPLASTIC, COLOR: BLACK
 - 2) TERMINAL MATERIAL: PHOSPHOR BRONZE
 - 3) SEE SHT 2 FOR CKT SIZE, PART NUMBERS AND OVERALL DIMENSIONS, SEE SHT 3 FOR VOIDS.
 - 4) FOR ILLUSTRATION, 6 CKT ASSY SHOWN.
 - 5) REFER TO PRODUCT SPEC PS-79107
 - 6) PACKAGING PER PK-70873-0180
 - 7) CKTS NUMBERED FROM LEFT TO RIGHT WHEN PART IS VIEWED FROM TOP WITH RECESS ON THE RIGHT AS SHOWN.
 - 8) SOLDERTAIL TO BE MEASURED BY PITCH GAUGE.

PLATING OPTION:

- 4) - 30u"/0.76um MIN GOLD PLATE IN SELECTED AREA
75u"/1.90um MIN TIN PLATE IN SELECTED AREA
BOTH OVER 50u"/1.25um MIN NICKEL OVERALL
- 5) - 15u"/0.38um MIN GOLD PLATE IN SELECTED AREA
75u"/1.90um MIN TIN PLATE IN SELECTED AREA
BOTH OVER 50u"/1.25um MIN NICKEL OVERALL
- 6) - 2u"/0.05um MIN GOLD PLATE IN SELECTED AREA
40u"/1.02um MIN TIN PLATE IN SELECTED AREA
BOTH OVER 40u"/1.02um MIN NICKEL OVERALL



ADD CONTACT PT DIM EC NO: S2011-0137 DRW:SKANG CHK:ATSEE APPR:MLONG 2010/08/17 2011/01/08 2011/07/10	QUALITY SYMBOLS √=0 √=0 √=1	GENERAL TOLERANCES (UNLESS SPECIFIED)		DIMENSION STYLE MM ONLY		SCALE NTS	DESIGN UNITS METRIC	THIRD ANGLE PROJECTION	
		4 PLACES ± --- ± ---	mm	INCH	DRAWN BY AAB	DATE 1989/05/15	TITLE 2MM DUAL ROW VERTICAL RECEPTACLE T/H		
		3 PLACES ± --- ± ---	± 0.25	± ---	CHECKED BY MJM	DATE 1989/05/15	MOLEX INCORPORATED		
		2 PLACES ± --- ± ---	± ---	± ---	APPROVED BY WAZ	DATE 1989/05/15	DOCUMENT NO. SDA-79107-****		
DRAFT WHERE APPLICABLE MUST REMAIN WITHIN DIMENSIONS		MATERIAL NO. SEE TABLE		SHEET NO. 1 OF 3		THIS DRAWING CONTAINS INFORMATION THAT IS PROPRIETARY TO MOLEX INCORPORATED AND SHOULD NOT BE USED WITHOUT WRITTEN PERMISSION			

Contact us: sales@integrated-circuit.com Website: www.integrated-circuit.com

CKT SIZE	DIM 'A'	DIM 'B'	P.C.TAIL DIMENSION 'C' = 3.00			P.C.TAIL DIMENSION 'C' = 1.91		
			PLATING OPTION 5	PLATING OPTION 4	PLATING OPTION 6	PLATING OPTION 5	PLATING OPTION 4	PLATING OPTION 6
			ITEM NO.	ITEM NO.	ITEM NO.	ITEM NO.	ITEM NO.	ITEM NO.
04	(4.19)	(2.00)	79107-7001	79107-7051	X 79107-7126	79107-7201	79107-7251	X 79107-7326
06	(6.19)	(4.00)	79107-7002	79107-7052	X 79107-7127	79107-7202	79107-7252	X 79107-7327
08	(8.19)	(6.00)	79107-7003	79107-7053	X 79107-7128	79107-7203	79107-7253	X 79107-7328
10	(10.19)	(8.00)	79107-7004	79107-7054	X 79107-7129	79107-7204	79107-7254	X 79107-7329
12	(12.19)	(10.00)	79107-7005	79107-7055	X 79107-7130	79107-7205	79107-7255	X 79107-7330
14	(14.19)	(12.00)	79107-7006	79107-7056	X 79107-7131	79107-7206	79107-7256	X 79107-7331
16	(16.19)	(14.00)	79107-7007	79107-7057	X 79107-7132	79107-7207	79107-7257	X 79107-7332
18	(18.19)	(16.00)	79107-7008	79107-7058	X 79107-7133	79107-7208	79107-7258	X 79107-7333
20	(20.19)	(18.00)	79107-7009	79107-7059	X 79107-7134	79107-7209	79107-7259	X 79107-7334
22	(22.19)	(20.00)	79107-7010	79107-7060	X 79107-7135	79107-7210	79107-7260	X 79107-7335
24	(24.19)	(22.00)	79107-7011	79107-7061	X 79107-7136	79107-7211	79107-7261	X 79107-7336
26	(26.19)	(24.00)	79107-7012	79107-7062	X 79107-7137	79107-7212	79107-7262	X 79107-7337
28	(28.19)	(26.00)	79107-7013	79107-7063	X 79107-7138	79107-7213	79107-7263	X 79107-7338
30	(30.19)	(28.00)	79107-7014	79107-7064	X 79107-7139	79107-7214	79107-7264	X 79107-7339
32	(32.19)	(30.00)	79107-7015	79107-7065	X 79107-7140	79107-7215	79107-7265	X 79107-7340
34	(34.19)	(32.00)	79107-7016	79107-7066	X 79107-7141	79107-7216	79107-7266	X 79107-7341
36	(36.19)	(34.00)	79107-7017	79107-7067	X 79107-7142	79107-7217	79107-7267	X 79107-7342
38	(38.19)	(36.00)	79107-7018	79107-7068	X 79107-7143	79107-7218	79107-7268	X 79107-7343
40	(40.19)	(38.00)	79107-7019	79107-7069	X 79107-7144	79107-7219	79107-7269	X 79107-7344
42	(42.19)	(40.00)	79107-7020	79107-7070	X 79107-7145	79107-7220	79107-7270	X 79107-7345
44	(44.19)	(42.00)	79107-7021	79107-7071	X 79107-7146	79107-7221	79107-7271	X 79107-7346
46	(46.19)	(44.00)	79107-7022	79107-7072	X 79107-7147	79107-7222	79107-7272	X 79107-7347
48	(48.19)	(46.00)	79107-7023	79107-7073	X 79107-7148	79107-7223	79107-7273	X 79107-7348
50	(50.19)	(48.00)	79107-7024	79107-7074	X 79107-7149	79107-7224	79107-7274	X 79107-7349

X - DENOTES THE ITEM IS NOT AVAILABLE CURRENTLY.

ADD CONTACT PT DIM EC NO: SZ011-0137 DRWNSKANG 2010/08/17 CHKD:ATSEE 2011/01/08 APPR:RLONG 2011/07/10 HZ REV	QUALITY SYMBOLS 	GENERAL TOLERANCES (UNLESS SPECIFIED)		DIMENSION STYLE MM ONLY		SCALE	DESIGN UNITS	THIRD ANGLE PROJECTION	
						NTS	METRIC		
						TITLE			
						2MM DUAL ROW VERTICAL RECEPTACLE T/H			
				DRAWN BY DATE		MATERIAL NO.			
				AAB 1989/05/15		MOLEX INCORPORATED			
				CHECKED BY DATE		DOCUMENT NO.			
				MJM 1989/05/15		SDA-79107-****			
				APPROVED BY DATE		SHEET NO.			
				WAZ 1989/05/15		2 OF 3			
				DRAFT WHERE APPLICABLE MUST REMAIN WITHIN DIMENSIONS		THIS DRAWING CONTAINS INFORMATION THAT IS PROPRIETARY TO MOLEX INCORPORATED AND SHOULD NOT BE USED WITHOUT WRITTEN PERMISSION			

Contact us: sales@integrated-circuit.com Website: www.integrated-circuit.com

MOLDED VOID OPTION
 ASSEMBLIES WITHOUT PEGS

CKT. SIZE	ASSEMBLY ITEM NO.	VOID LOCATION(S) SEE SHEET 1 FOR CONVENTION		PLATING OPTION	DIM. "A"	DIM. "B"	P.C. TAIL DIM. "C"
		ROW	CKT. NO.(s)				
24	79107-5101	ROW B	6	5	(24.19)	(22.00)	(3.00)
10	79107-5102	ROW A	5	5	(10.19)	(8.00)	(3.00)
26	79107-5103	ROW B	5	5	(26.19)	(24.00)	(3.00)
20	79107-5104	ROW A	7	5	(20.19)	(18.00)	(1.91)
24	79107-5105	ROW B	10	5	(24.19)	(22.00)	(1.91)
20	79107-5106	ROW A	7	5	(20.19)	(18.00)	(3.00)
24	79107-5107	ROW B	10	5	(24.19)	(22.00)	(3.00)

X - DENOTES THE ITEM IS NOT AVAILABLE CURRENTLY.

NOTES

1. TERMINALS WILL BE PRESENT IN VOIDED LOCATIONS HOWEVER, PIN WINDOWS WILL BE CLOSED.
2. VOIDS CANNOT BE PRESENT IN BOTH ROWS ON A CONNECTOR.

ADD CONTACT PT DIM EC NO: S2011-0137 DRAWNSKANG 2010/08/17 CHKCAT SEE 2011/01/08 APPR:MLONG 2011/01/10 REV H2	QUALITY SYMBOLS	GENERAL TOLERANCES (UNLESS SPECIFIED)	DIMENSION STYLE MM ONLY	SCALE NTS	DESIGN UNITS METRIC	THIRD ANGLE PROJECTION																																		
	$\nabla=0$ $\nabla=0$ $\nabla=0$	<table border="1"> <tr> <th></th> <th>mm</th> <th>INCH</th> </tr> <tr> <td>4 PLACES</td> <td>±---</td> <td>±---</td> </tr> <tr> <td>3 PLACES</td> <td>±---</td> <td>±---</td> </tr> <tr> <td>2 PLACES</td> <td>±0.25</td> <td>±---</td> </tr> <tr> <td>1 PLACE</td> <td>±---</td> <td>±---</td> </tr> <tr> <td colspan="3">ANGULAR ±1/2°</td> </tr> </table>		mm	INCH	4 PLACES	±---	±---	3 PLACES	±---	±---	2 PLACES	±0.25	±---	1 PLACE	±---	±---	ANGULAR ±1/2°			<table border="1"> <tr> <th>DRAWN BY</th> <th>DATE</th> <th>TITLE</th> </tr> <tr> <td>AAB</td> <td>1989/05/15</td> <td rowspan="3">2MM DUAL ROW VERTICAL RECEPTACLE T/H</td> </tr> <tr> <th>CHECKED BY</th> <th>DATE</th> </tr> <tr> <td>MJM</td> <td>1989/05/15</td> </tr> <tr> <th>APPROVED BY</th> <th>DATE</th> <td>MOLEX INCORPORATED</td> </tr> <tr> <td>WAZ</td> <td>1989/05/15</td> <td></td> </tr> </table>	DRAWN BY	DATE	TITLE	AAB	1989/05/15	2MM DUAL ROW VERTICAL RECEPTACLE T/H	CHECKED BY	DATE	MJM	1989/05/15	APPROVED BY	DATE	MOLEX INCORPORATED	WAZ	1989/05/15				
		mm	INCH																																					
	4 PLACES	±---	±---																																					
3 PLACES	±---	±---																																						
2 PLACES	±0.25	±---																																						
1 PLACE	±---	±---																																						
ANGULAR ±1/2°																																								
DRAWN BY	DATE	TITLE																																						
AAB	1989/05/15	2MM DUAL ROW VERTICAL RECEPTACLE T/H																																						
CHECKED BY	DATE																																							
MJM	1989/05/15																																							
APPROVED BY	DATE	MOLEX INCORPORATED																																						
WAZ	1989/05/15																																							
DESCRIPTION	DRAFT WHERE APPLICABLE MUST REMAIN WITHIN DIMENSIONS	MATERIAL NO. SEE TABLE	DOCUMENT NO. SDA-79107-****	SHEET NO. 3 OF 3																																				
		SIZE A3	THIS DRAWING CONTAINS INFORMATION THAT IS PROPRIETARY TO MOLEX INCORPORATED AND SHOULD NOT BE USED WITHOUT WRITTEN PERMISSION																																					