

Excellent Integrated System Limited

Stocking Distributor

Click to view price, real time Inventory, Delivery & Lifecycle Information:

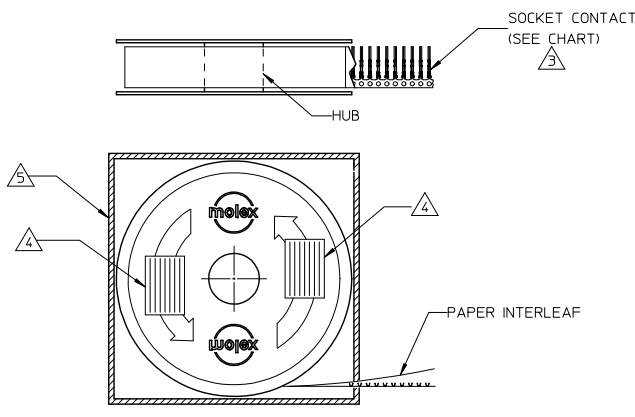
[Molex Connector Corporation](#)
[0830009503](#)

For any questions, you can email us directly:

sales@integrated-circuit.com

10	9	8	7	6	5	4	3	2	1
MATERIAL NUMBER	ENGINEERING NUMBER	DESCRIPTION	FINISH	A	D				
830009502	83000-9502	(M) 5K PER REEL	△1 △2						
830009503	83000-9503	50.0 K PER REEL	△1 △2	.456/(11.58) (SEE SHT 2)	.278/(7.06) (SEE SHT 2)				
830000083	83000-0083	LOOSE PIECE TERMINAL	△1 △2						
830009547	83000-9547	(M) 5K PER REEL	△1 △2						
830009548	83000-9548	50.0 K PER REEL	△1 △2	.426/(10.82) (SEE SHT 2)	.248/(6.30) (SEE SHT 2)				
830000106	83000-0106	LOOSE PIECE TERMINAL	△1 △2						

- NOTES:
- △1 FINISH, PREPLATED:
NICKEL PLATING, 50μN/1.3 μm THICKNESS OVERALL
(AREA 'M' ON SHEET 2) PER QQ-N-290, CLASS 1, FOLLOWED BY 30μN/0.8μm MIN
GOLD PER PER MIL-G-45204, TYPE II, GRADE C, IN AREA 'K' ON SHEET 2.
 - △2 FINISH: SELECTIVE TIN AND REGULAR SELECTIVE GOLD:
PLATE 5-10μN/0.13-0.25 μm MIN GOLD PER MIL-G-45204, TYPE II, GRADE C,
IN AREA 'K' ON SHEET 2, FOLLOWED BY 50μN/1.3 μm TIN PER
MIL-T-10727 TYPE I IN AREA 'L' ON SHEET 2.
 - △3 CONTACT TO BE ORIENTATED AS SHOWN.
 - △4 IDENTIFICATION LABELS (2),(REEL).
 - △5 IDENTIFICATION LABEL,(SHIPPING BOX)

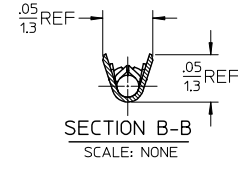
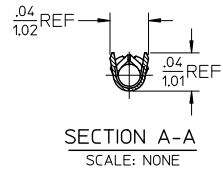
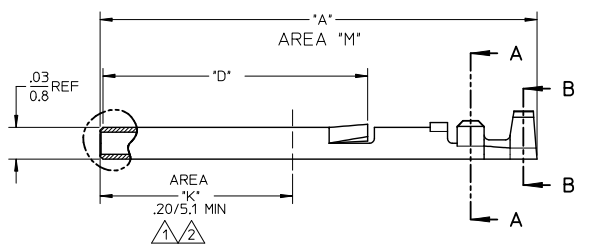
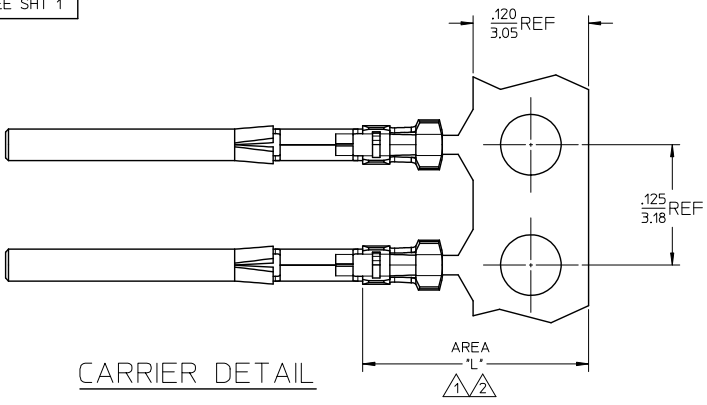


SALES DRAWING

REVISE QTY TO 5K EC NO: IPG2013-0888 DRAWR: J. MURPHY CHKD: J. MURPHY APPR: J. MURPHY 2013/02/14 2013/03/04	QUALITY SYMBOLS	GENERAL TOLERANCES (UNLESS SPECIFIED)	DIMENSION STYLE	SCALE	DESIGN UNITS	THIRD ANGLE PROJECTION
	▽=0	4 PLACES ± --- ± ---	IN/MM	10:1	INCH	☉ □
	▽=0	3 PLACES ± --- ± ---	DRAWN BY DATE	CONTACT, SOCKET COMM. MICRO-D MOLEX INCORPORATED SD-83000-002 SHEET NO. 1 OF 2		
		2 PLACES ± --- ± ---	CHECKED BY DATE			
	1 PLACE ± --- ± ---	APPROVED BY DATE				
	ANGULAR ± --- °	JFMURPHY 2010/11/17				
DRAFT WHERE APPLICABLE MUST REMAIN WITHIN DIMENSIONS		SEE CHART	THIS DRAWING CONTAINS INFORMATION THAT IS PROPRIETARY TO MOLEX INCORPORATED AND SHOULD NOT BE USED WITHOUT WRITTEN PERMISSION			

10 9 8 7 6 5 4 3 2 1

MATERIAL NUMBER	ENGINEERING NUMBER
SEE SHT 1	SEE SHT 1



SALES DRAWING

REDRAWN EC NO: IPG2013-0888 DRAWN: RUPERT 2013/02/14 CHKD: JF MURPHY APPR: JF MURPHY 2013/03/04 REV: M	QUALITY SYMBOLS	GENERAL TOLERANCES (UNLESS SPECIFIED) <table border="1"> <tr> <th></th> <th>mm</th> <th>INCH</th> </tr> <tr> <td>4 PLACES</td> <td>±---</td> <td>±---</td> </tr> <tr> <td>3 PLACES</td> <td>±---</td> <td>±---</td> </tr> <tr> <td>2 PLACES</td> <td>±---</td> <td>±---</td> </tr> <tr> <td>1 PLACE</td> <td>±---</td> <td>±---</td> </tr> <tr> <td colspan="3">ANGULAR ±---°</td> </tr> </table>		mm	INCH	4 PLACES	±---	±---	3 PLACES	±---	±---	2 PLACES	±---	±---	1 PLACE	±---	±---	ANGULAR ±---°			DIMENSION STYLE	SCALE	DESIGN UNITS	THIRD ANGLE PROJECTION CONTACT, SOCKET COMM. MICRO-D MOLEX INCORPORATED DOCUMENT NO. SD-83000-002 SHEET NO. 2 OF 2
			mm	INCH																				
	4 PLACES		±---	±---																				
	3 PLACES		±---	±---																				
	2 PLACES		±---	±---																				
1 PLACE	±---	±---																						
ANGULAR ±---°																								
▼=0	IN/MM	10:1	INCH																					
▽=0	DRAWN BY	DATE	TITLE																					
	BRE	02/01/22																						
	CHECKED BY	DATE																						
	HEB	02/01/22																						
	APPROVED BY	DATE																						
	JFMURPHY	2010/11/17																						
	MATERIAL NO.	SEE CHART																						
	SIZE	A3																						
	THIS DRAWING CONTAINS INFORMATION THAT IS PROPRIETARY TO MOLEX INCORPORATED AND SHOULD NOT BE USED WITHOUT WRITTEN PERMISSION																							

9 8 7 6 5 4 3 2 1